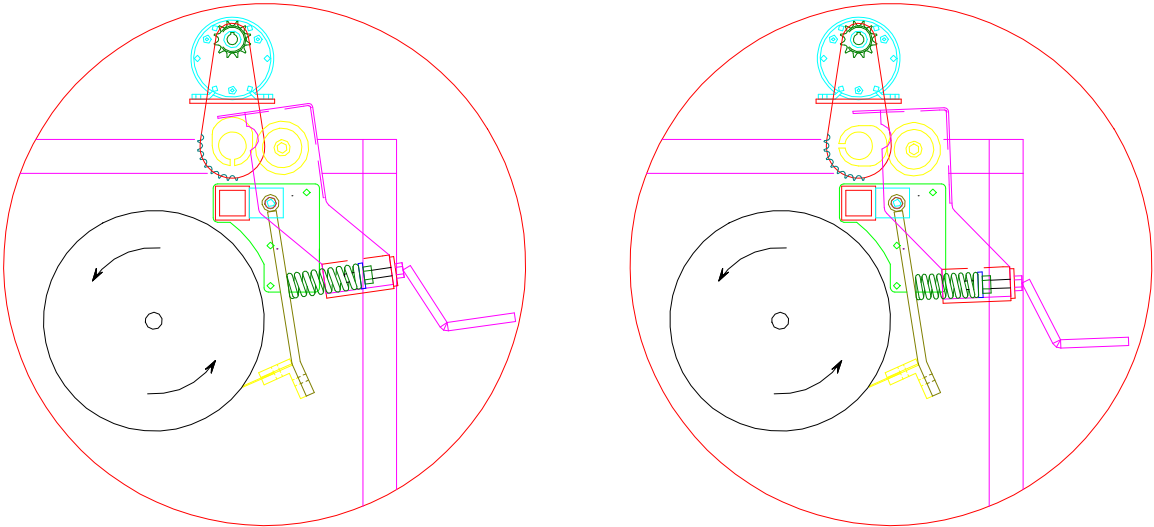
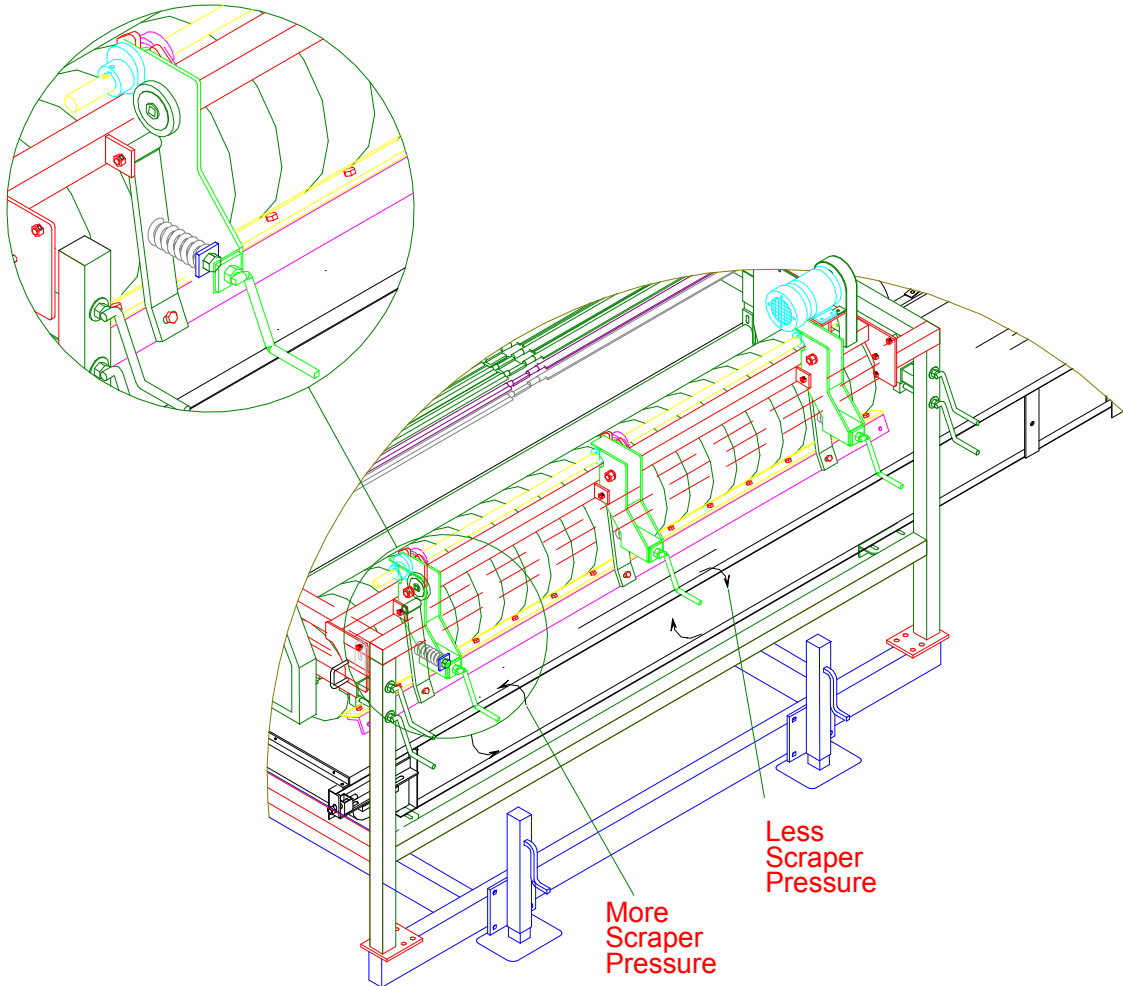


Motorized Scraper Add-On



The optional Motorized Scraper puts intermittent adjustable pressure on the roller scraper. This intermittent pressure reduces wear on the roller while still scraping it clean. This design incorporates a center spring pressure bracket, which greatly improves scraping efficiency in the middle of the roller. The motorized shaft moves with the roller, so spring pressure does not need to be readjusted when moving roller. Spring pressure can be nearly eliminated if scraper is not needed. This greatly reduces Roller & Scraper wear. Solid stops are standard which puts adjustable constant spring pressure on the center & ends of the scrapers.