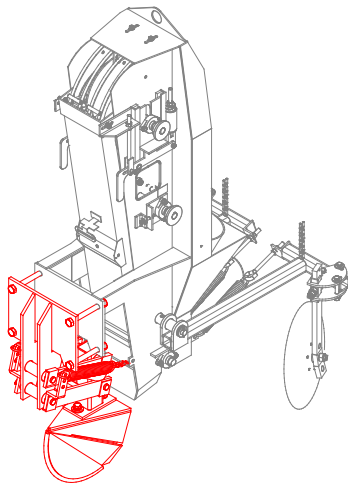
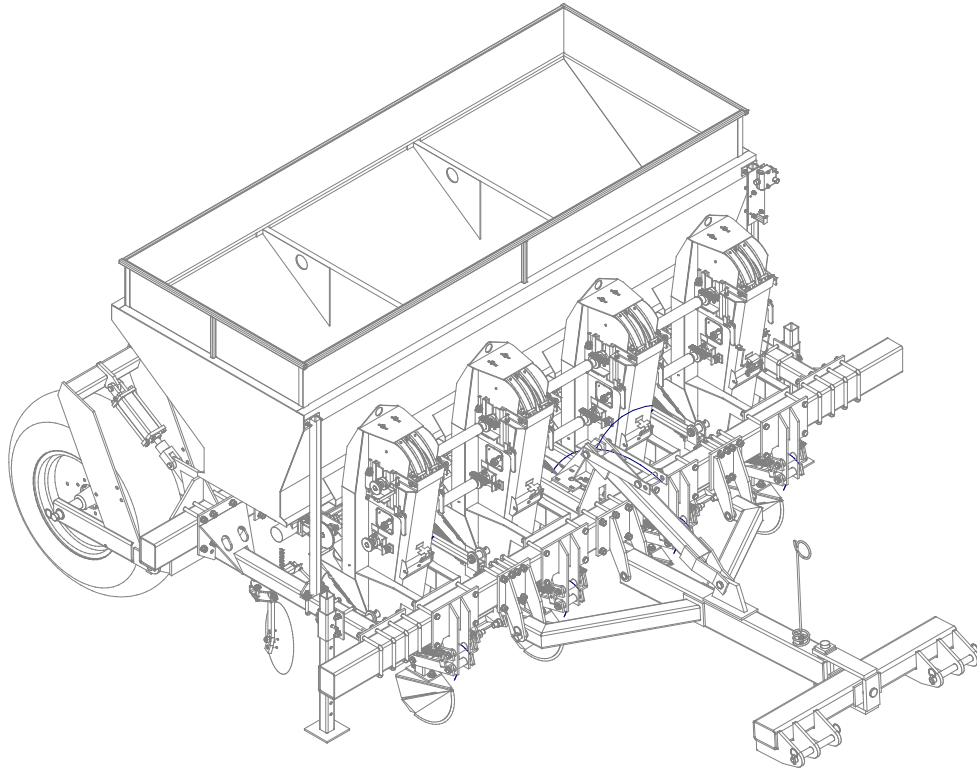


Harriston

INDUSTRIES



Cup Potato Planter Parts Book

Notes:

(Index on Page 137)

Row Unit Assembly	1
Row Unit Drive Motors.....	3
Belt With Cups.....	7
Top Roller With Belt.....	7
Row Unit Switch Assembly.....	9
Shaker Weldment.....	11
Row Unit Closing Discs	11
Row Unit Closing Discs Assembly.....	13
Shoe Sub Assembly	15
Shoe Sub Assembly	15
Shoe Assembly Complete	17
Row Unit Gauge Wheel Assembly.....	19
Feedbox Assembly	21
Frame Assembly.....	23
Tank Assembly	23
Hitch Package 4 Row	25
Hitch Package 6 & 8 Row	25
Hitch Package Steerable	27
Walking Beam	29
Rear Steer Package	31
Wheel Lift 11.25 & 14.9	33
Wheel Lift 14L & 10.00	35
Wheel Lift Ground Drive	37
Wheel Lift Hub Assemblies.....	39
Caster Wheel (Up to 2006 Model Year).....	41
Caster Wheel (2007 & up Model Year).....	43
Closing Disc Scraper	45
Marker, 4 Row-Tractor Center Mark.....	47
Marker, 4 Row-Tractor Tire Mark.....	49
Marker, 6 Row	51
Marker, 6 Row-Bi-Fold.....	53
Marker, 8 Row-Bi-Fold.....	55
Coil Shank Assemblies.....	57
Hill Packer	59
Rear Ripper	61
Raven 662 Wiring Harness.....	63
Raven 760 Wiring Harness.....	64
Raven 4000 Wiring Harness.....	65
Raven 4000 Master Switchbox Harness.....	66
Dickey-john IntelliAg Wiring Harness (Single Feed Box Switch).....	67
Dickey-john IntelliAg Wiring Harness (Paired Feed Box Switch)	69
Feed Chain Electrical System.....	71
Feed Chain Electrical System - Ultrasonic.....	72
Seed Sensor.....	73
Ground Drive Electrical System.....	74
Raven 662 Hydraulic System	78
Raven 662 Hydraulic System	80
Raven 760 Hydraulic System	82

Table of Contents

IntelliAg Hydraulic System (No Fertilizer)	84
IntelliAg Hydraulic System (Fertilizer)	86
Ground Drive Hydraulic System	88
Rear Steer Hydraulic System	90
Raven Hydraulic System Hardware	92
Dickey-john IntelliAg Hydraulic System Hardware	94
Ground Drive (Rear) Components	96
Ground Drive (Semi-Mount) Components	102
Platform Packages	108
Platform Packages - Rear	112
Rear Lift Hydraulics	114
Fertilizer Feedbox Assembly	116
Fertilizer Tank Assemblies	118
Fertilizer Tank Drive Assembly	120
Fertilizer Mounting Hardware	122
Fertilizer Tank Hydraulics	124
Fertilizer Mechanical Drive Assembly	126
Fertilizer Disc Opener Assemblies	128
Gandy Box 3 Box Package	131
Gandy Box 2 Box Package	133
Gandy Box 4 Box Package	133
Gandy Box 1 Box per Row – Planter with Fertilizer	135
Index	137

NOTES:

PARTS

This Manual contains a parts list for your machine.

WHEN ORDERING PARTS

Always give your dealer the Model and Serial Number of your machine to assist him in ordering and obtaining the correct parts. Use the exploded view and tabular listing of the area of interest to exactly identify the required part.

USING THE MANUAL

Parts data consists of exploded view illustrations and associated parts list tables, which are read as follows:

- **REFERENCE NUMBER**

The Reference Number is the identifier number from the illustration. For example, Number 3 on an illustration points to a component which is item 3 on the accompanying table. The abbreviation NS means the item is not shown in the illustration.

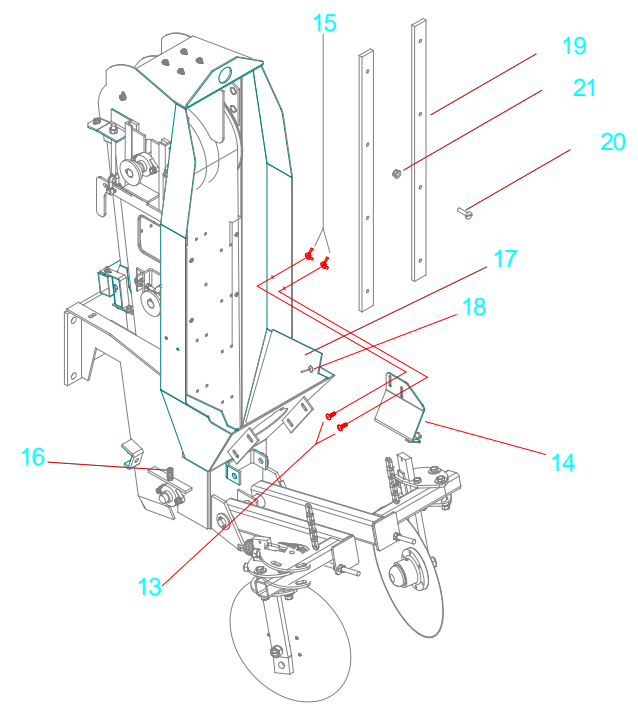
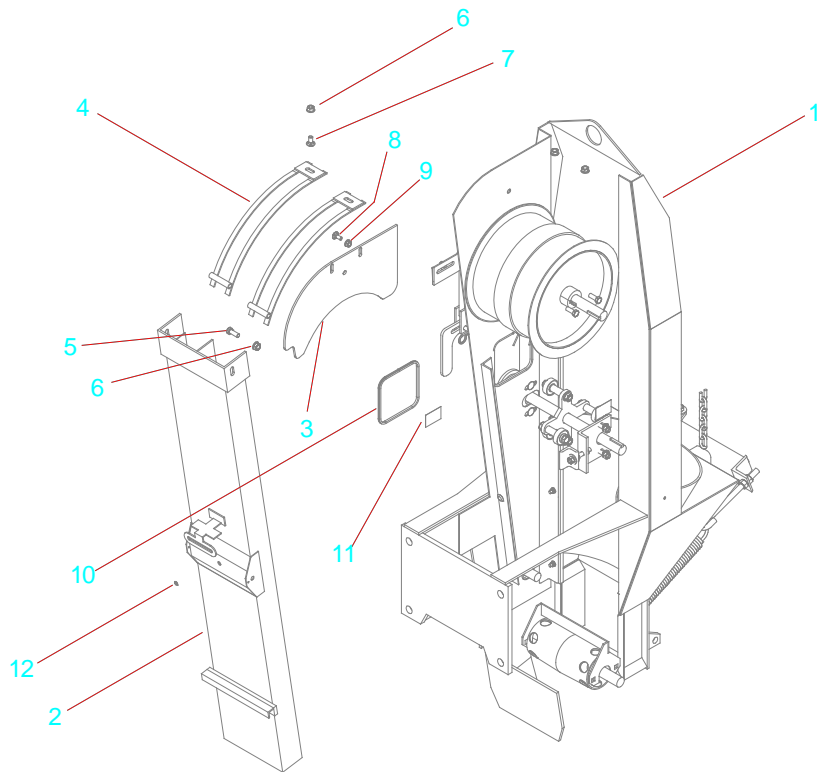
- **PART NUMBER**

The Part Number is the number by which the component may be identified and ordered from Harriston Industries and its network of dealers

- **DESCRIPTION**

This column contains the name and description of the part.

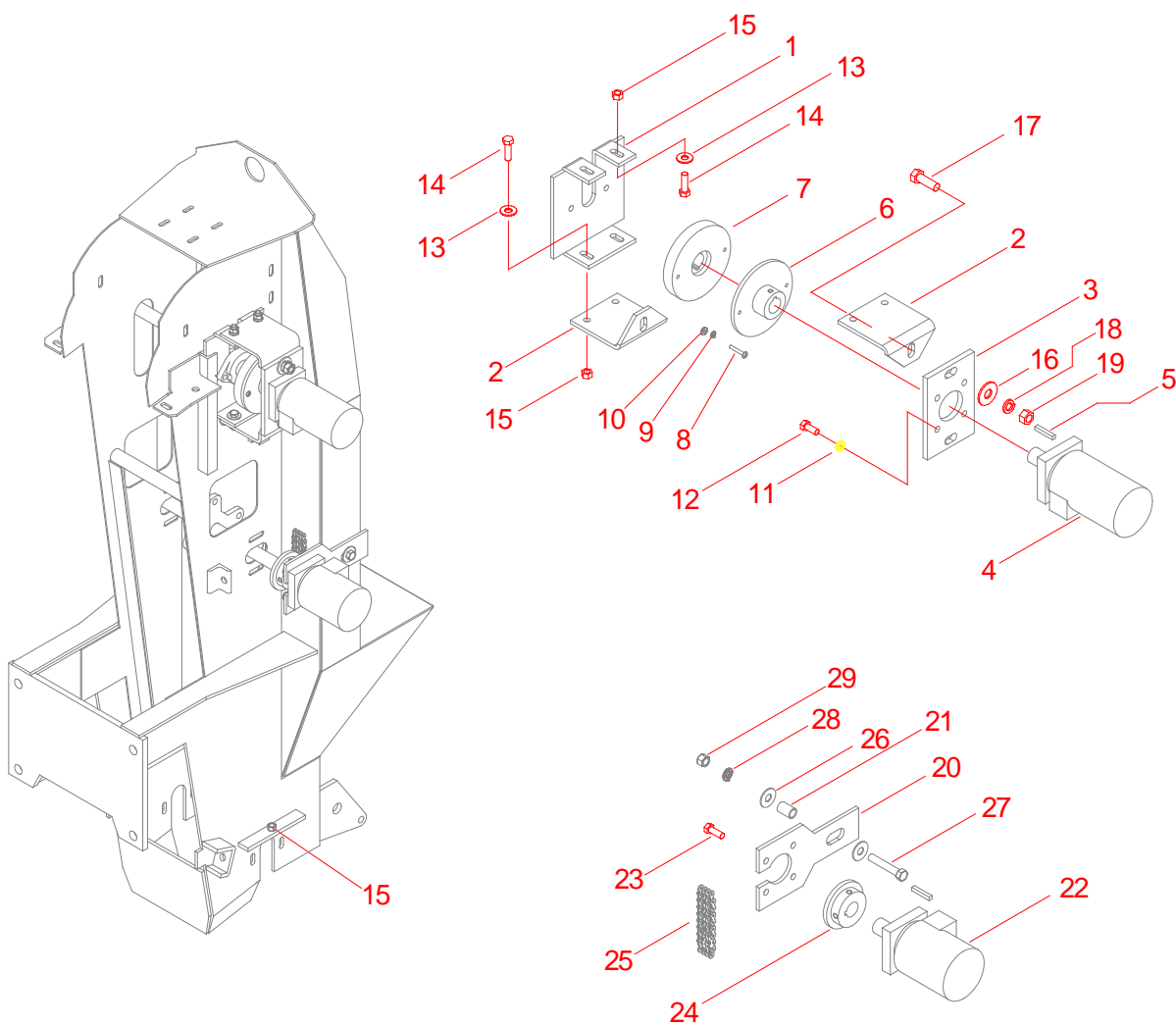
#400100 - Row Unit Assembly



#400100 - Row Unit Cup Assembly

Ref.	Part No.	Description
1	400150	Cup Frame Weldment
2	402700	Chute Weldment 2006
3	402798	Cup Divider 2006
4	402744	Top Finger Shield (Rolled)
5	020120	3/8" X 1-1/4" NC GRADE 5 Bolt
6	020471	3/8" NC Serrated Flange Nut
7	020627	3/8" X 3/4" Carriage Bolt
8	020761	5/16" X 3/4" Carriage
9	020479	5/16" Serrated Flange Nuts
10	400540	Plastic Edging (97410 EGL-11-3)
11	097402	Decal,0-2" Scale
12	402745	Center Divider Mount Weldment
13	400295	Row Unit Switch Assembly (Cup Planter)
14	020029	3/8" X 1" HEX HD GR 5 Bolt
15	020513	3/8" Flat Washer
16	400125	3/8" Adj. Screw Weldment
17	400539	Seed Bowl Plastic
18	095089	Pop Rivet
19	400541	Chain Guide Plastic
20	020142	1/4" x 1" Bolt Countersunk/Slotted
21	020475	1/4" Serrated Flange Nut
22	402725	Eye Bracket Weldment
23	402730	Harness Bracket Weldment
24	402799	Side Deflector 2006

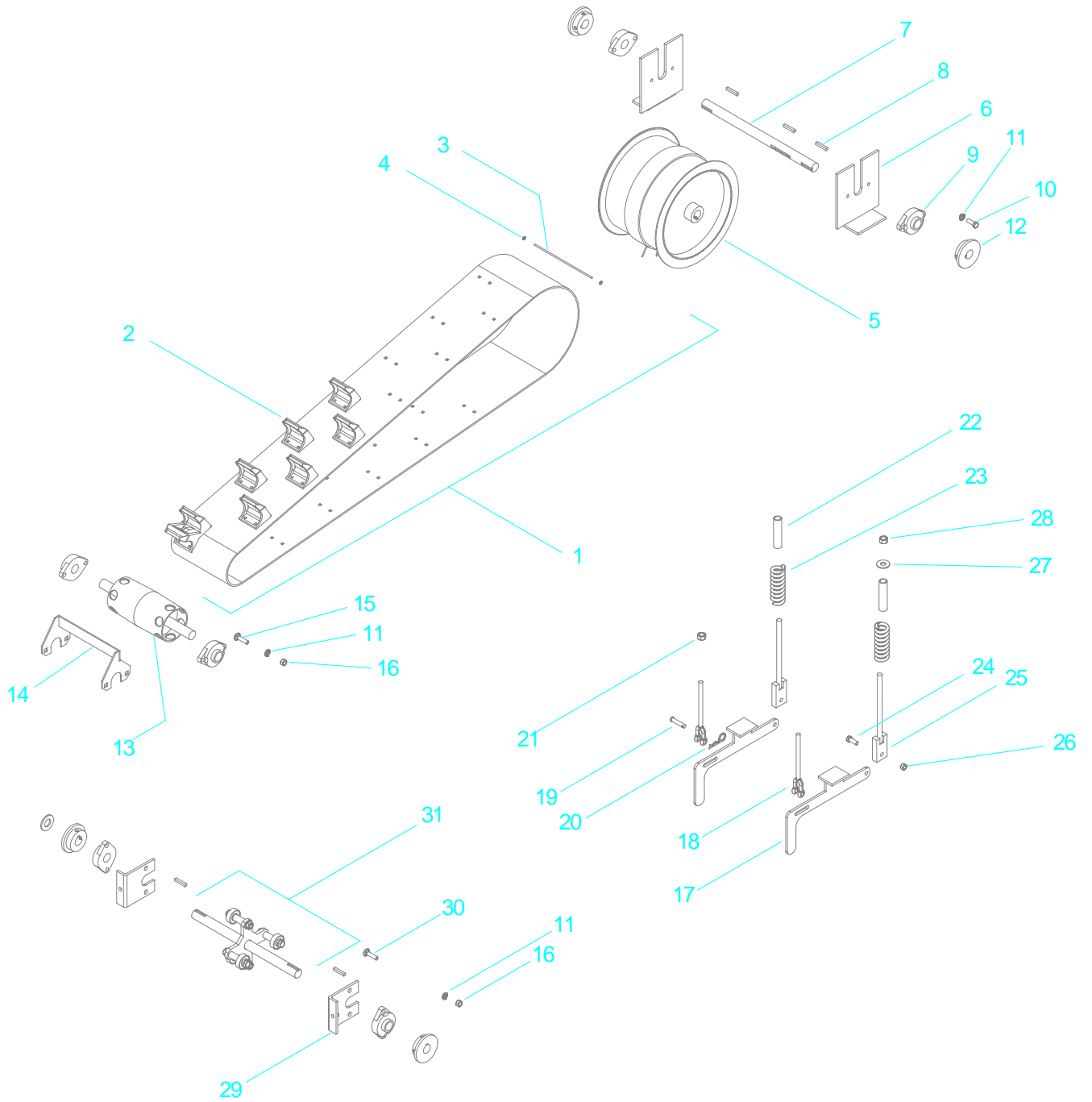
#400530 - Row Unit Drive Motors



#400530 - Row Unit Drive Motors

Ref.	Part No.	Description
1	400098	Upper Slide Plate
2	400097	Motor Mount Plate Adj.
3	400090	Motor Mount Plate
4	095344	Hydraulic Motor C/L 101-1015
5	351072	1/4" Key Stock 1-1/2" Long
6	400345	Drive Hub Weldment (Motor)
7	400340	Drive Hub Weldment (Row Unit)
8	020165	Screw, 3/16" X 1-1/4" Machine
9	020545	Washer, 3/16" Lock
10	020419	Nut, 3/16" NC
11	020502	Washer, 3/8" Lock
12	020111	Bolt, 3/8" x 7/8" NC GR 5
13	020513	Washer, 3/8" Flat
14	020120	Bolt, 3/8" X 1-1/4" NC GR 5
15	020402	Nut, 3/8" NC
16	020515	Washer, 1/2" Flat
17	020052	Bolt, 1/2" X 1-1/2" GR 5 ZP
18	020504	Washer, 1/2" Regular Lock
19	020404	Nut, 1/2" NC
20	400545	Shaker Motor Mount
21	400543	Drive Mount Bushing
22	097405	Hydraulic Motor C/L 130-1005-003
23	020029	Bolt, 3/8" X 1 NC GR 5
24	096042	4018 X 1 Finish Bore Sprocket
25	354555	Sprocket Coupler Chain
26	020514	Washer, 7/16" Flat
27	020115	Bolt, 7/16" X 2-1/2" NC GR 5
28	020503	Washer. 7/16" Lock
29	020403	Nut, 7/16" NC

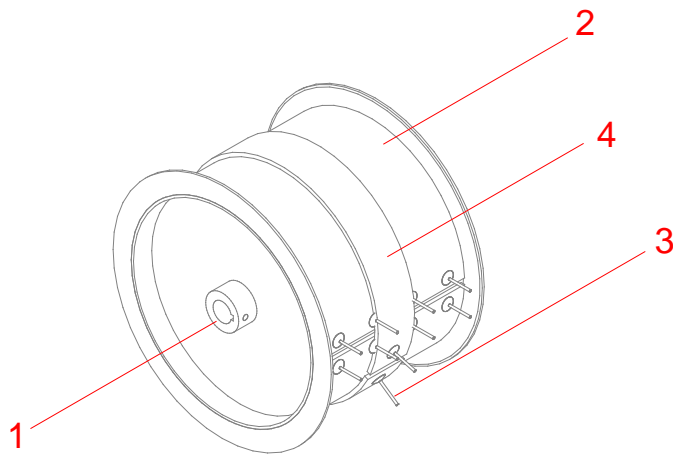
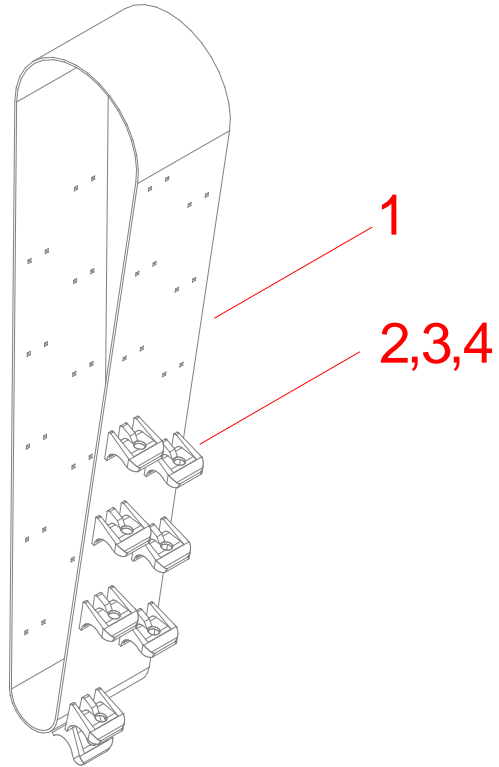
#400100 - Belt With Cups Assembly



#400100 - Belt With Cups Assembly

Ref.	Part No.	Description
1	400085	Belt w/Cups Assembly
2	097413	Cup, Orange 2009
	097403	Cup, Standard - Black
3	097415	Hinge Pin (Flexible Stainless Wire w/ Plastic cover)
4	097416	Flexco Retaining Washer
5	400920	Top Roller w/Belt
6	400096	Upper Slide Plate
7	400104	Drive Shaft
8	351072	1/4" Keystock 1-1/2" long
9	095248	SBLF 206-16Assy 1"
10	020029	3/8" X 1" HEX HD GR 5 Bolt
11	020502	3/8" Regular Lock Washer ZP
12	096042	4018 x 1 Finish Bore Sprocket
13	400930	Lower Roller Weldment
14	400670	Lower Roller Scraper Weldment
15	020632	3/8" X 1-1/4" Carriage Bolt
16	020402	3/8" NC Nut
17	400220	Belt Tensioner Weldment
18	097408	1/2" Turnbuckle End (Cast)
19	020873	3/8" x 1.75" Clevis Pin
20	020913	.120 Bridge Pin
21	020404	1/2" NC Nut Hex
22	400681	Spring Tension Tube Insert
23	021506	4" Spring
24	020120	3/8" X 1-1/4" NC GRADE 5 Bolt
25	400660	Spring adj. Rod Weldment
26	020423	3/8" NC Center Lock Nut
27	020515	1/2" Flat Washer
28	020425	1/2" NC Center Lock ZP
29	401160	Shaker Adj. Weldment
30	020629	3/8" X 1-1/2" Carriage Bolt
31	400334	Shaker Weldment Package

400085 - Belt With Cups Assembly
400920 - Top Roller With Belt



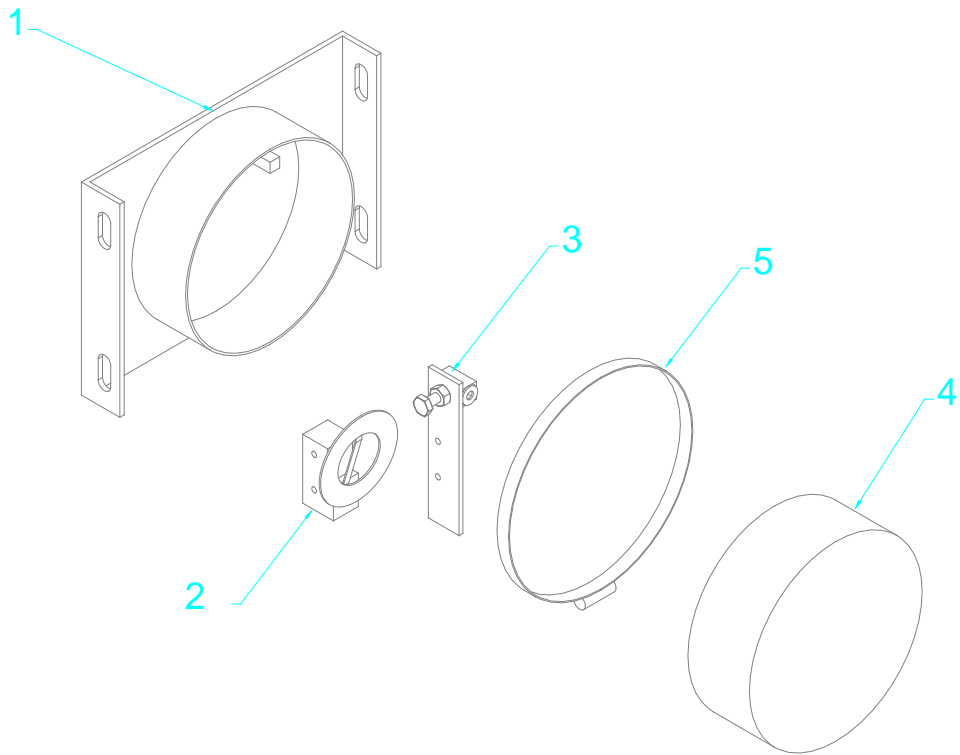
#400085 - Belt With Cups Assembly

Ref.	Part No.	Description
1	400209	Belt, Cup Planter
2	097413	Cup, Orange – 2009
	097403	Cup, Standard - Black
3	020164	1/4" X 3/4" Elevator Bolt
4	020475	1/4" NC Flange Nut
NS	097415	Hinge Pin
NS	097416	Flexco Retaining Washer

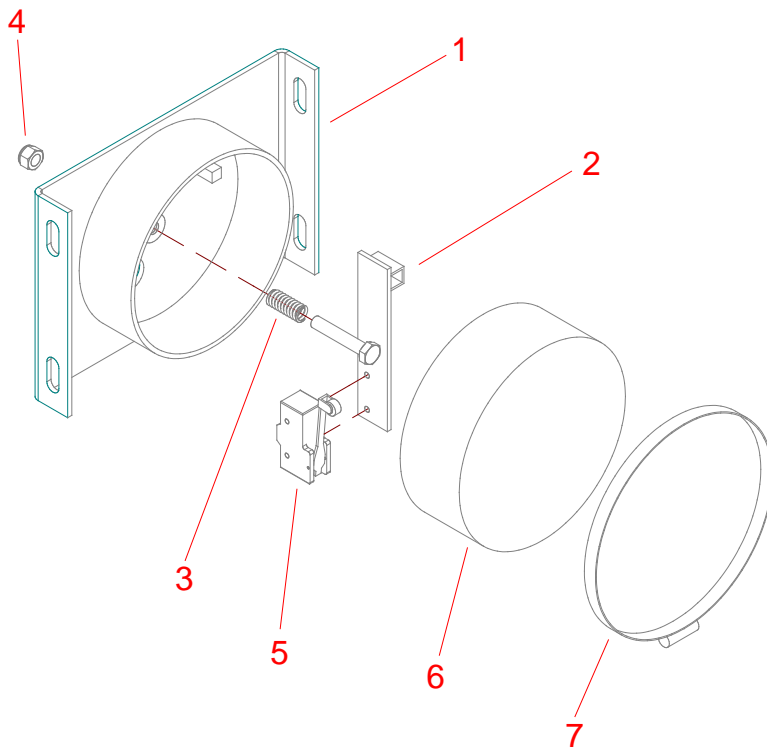
#400920 - Top Roller With Belt

Ref.	Part No.	Description
1	400925	Upper Drive Roller
2	400921	Rubber Belt
3	095089	Pop Rivet
4	400922	Center Rubber Strip

#400295 – Row Unit Switch Assembly



#403875 Row Unit Switch Assembly - 2009



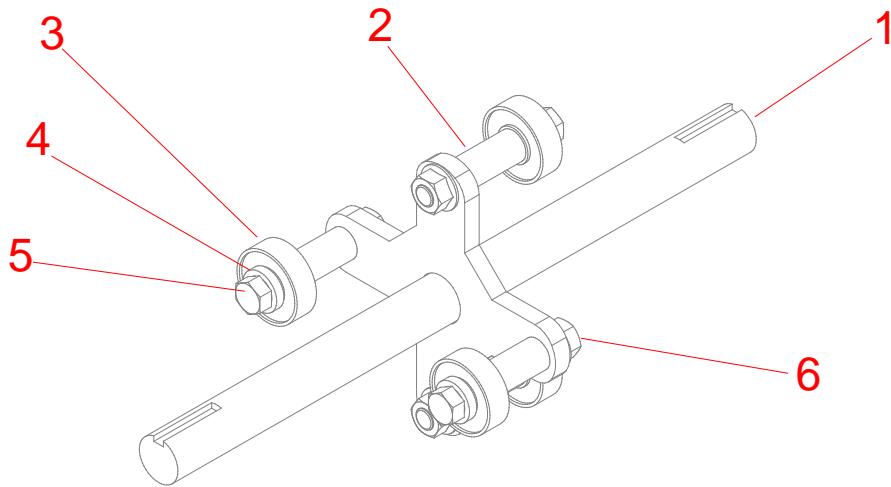
#400295 – Row Unit Switch Assembly - Cup

Ref.	Part No.	Description
1	400290	Switch Weldment (Cup)
2	353560	Switch Mount Hanger
3	353595	Switch Weldment
4	096232	Switch Cover 2002 5-5/8" Rubber
5	096152	6" Hose Clamp
NS	096094	3 Stand Coax Wire
NS	020008	Bolt, Nut, & Lock Washer #6/32 X 1
NS	096118	Terminal Open Eye (31540)
NS	096088	Electric Diode
NS	096178	Wire Screw Clamp

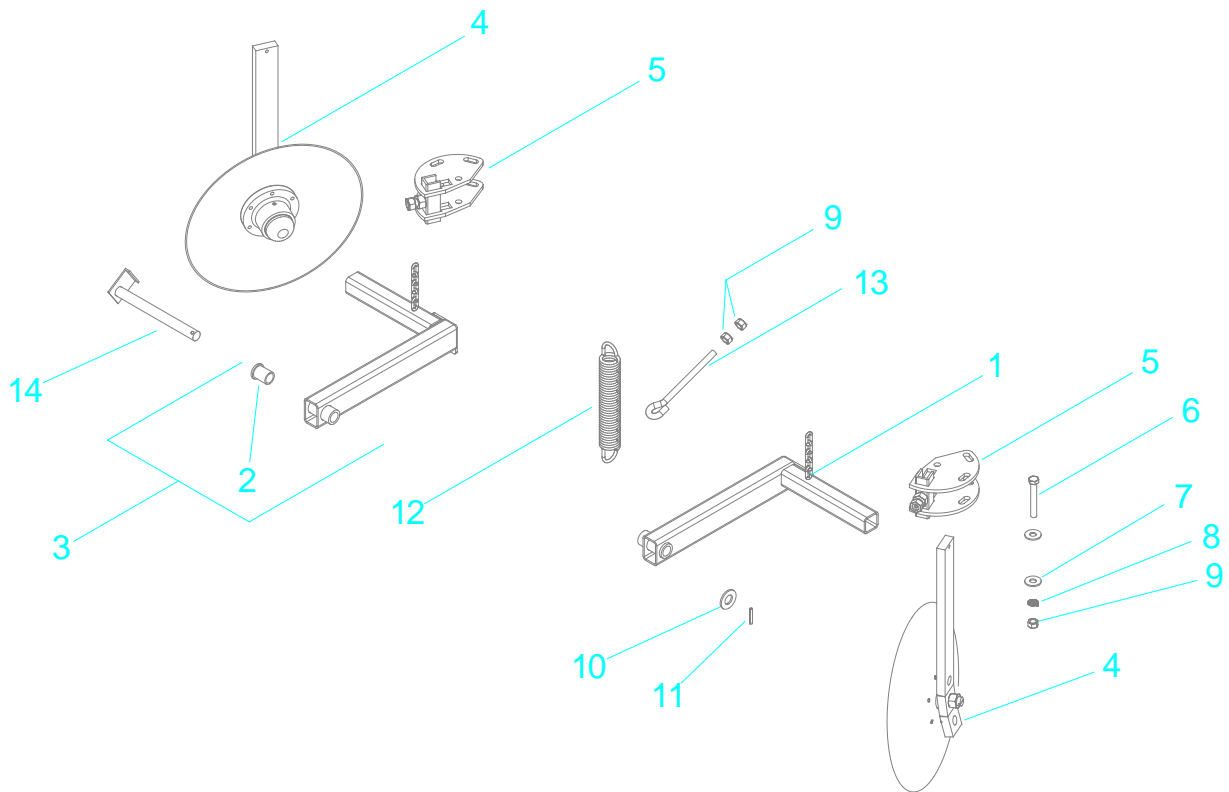
#403875 Row Unit Switch Assembly - 2009

Ref.	Part No.	Description
1	403876	Weldment, Cup Microswitch
2	360243	Switch Mount Hanger
3	095451	Spring, Compression 1-1/2"
4	020484	5/16" Nylock Nut
5	095450	Roller Microswitch
6	096232	Cover, Switch 5-5/8" Rubber
7	096152	6" Hose Clamp

#400334 - Shaker Weldment



Row Unit Assembly Closing Discs



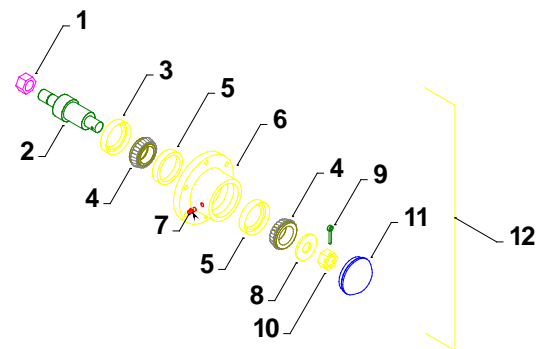
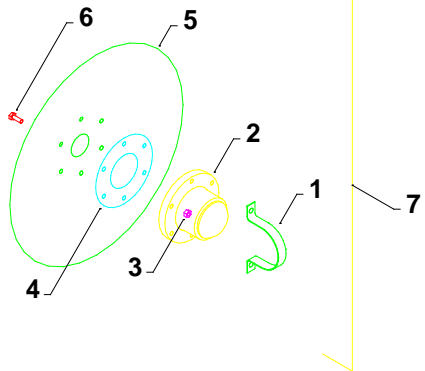
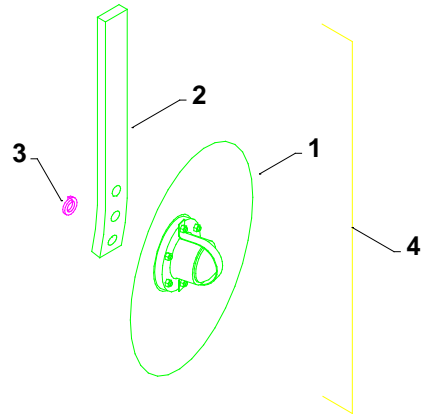
#400334 - Shaker Weldment

Ref.	Part No.	Description
1	400335	Shaker Weldment
2	400302	Shaker Cam Spacer
3	095105	1-9/16" O.D. Cam Bearing
4	350916	Trip Arm Spacer
5	020648	7/16" X 3" HEX HD NF Bolt
6	020411	7/16" NF Flange Nut

Row Unit Assembly Closing Discs

Ref.	Part No.	Description
1	402860	Disc Arm Assy (Left) 2006
2	090169	1-1/8" x 7/8" Plastic Igus MFI-1418--24 10
3	402880	Disc Arm Assy (Right) 2006
4	211840	Disc Assembly w/Shank Dbl Bearing
5	211930	Disc Clamp
6	020057	1/2" X 3-1/2" GR 5 HEX HD Bolt
7	020515	1/2" Flat Washer
8	020504	1/2" Lock Washer ZP
9	020404	1/2" NC Nut Hex
10	020538	7/8" Flat Washer
11	020964	1/4 X 1-1/4 Roll Pin
12	226600	Guide Disk Spring
13	300700	1/2" x 8" Eyebolt
14	402845	Closing Disc Pin Weldment

Closing Disc



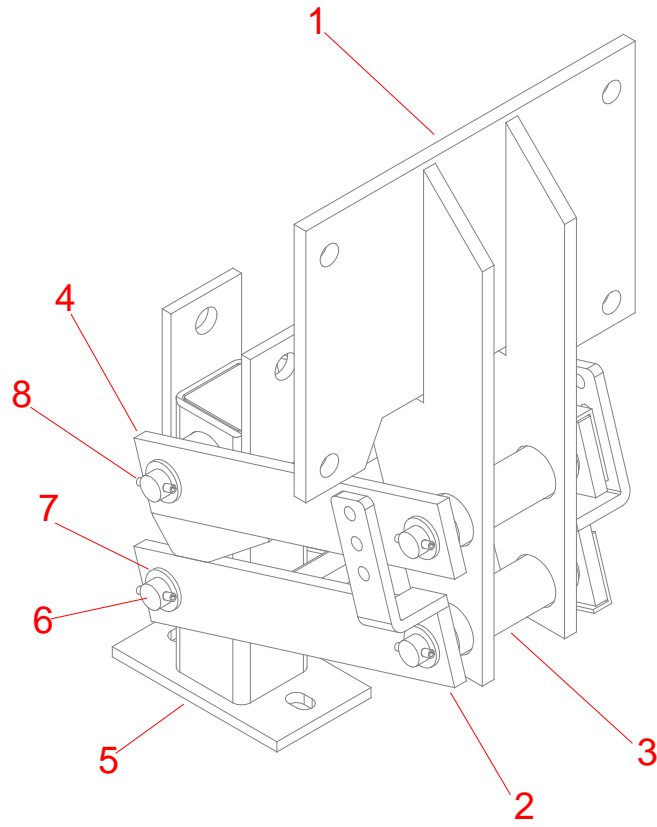
Closing Disc

Ref.	Part No.	Description
1	211845	Disc with Hub (Double Bearing)
2	211660	Hiller Shank Painted
3	020507	3/4" Lock Washer
4	211840	Disc Assembly with Shank (Double Bearing)

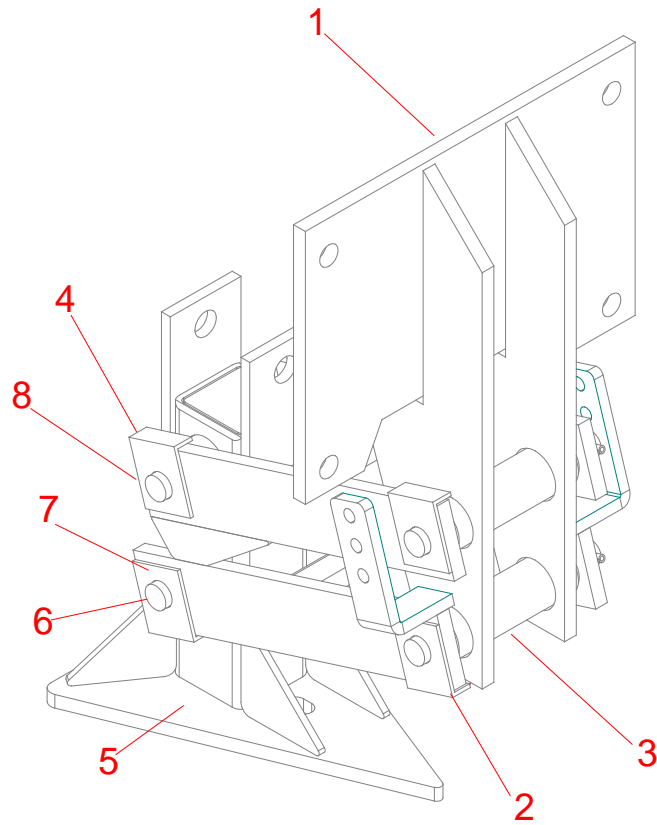
Ref.	Part No.	Description
1	211876	Double Bearing Dust Cap Strap
2	211870	Hiller Hub Assembly (Double Bearing)
3	020421	1/4" Center Lock Nut
4	095045	Flange Gasket
5	090024	Disc 16" Concave (Hillers)
6	020003	1/4" X 1 1/4" NC Gr. 5 Bolt
7	211845	Disc with Hub (Double Bearing)

Ref.	Part No.	Description
1	020415	3/4" NF Nut
2	211875	Hiller Disc Spindle
3	095115	Double Lip Seal
4	095020	Tapered Bearing LM 67048
5	095069	Bearing Cup LM 67010
6	090210	Hiller Hub with Race
7	095036	1/4"-28 Straight Zerk
8	020517	3/4" Flat Washer
9	020827	5/32" X 1" Cotter Pin
10	020490	3/4" NF Plain Hex Slotted Nut
11	090015	Dust Cap (DC-13)
12	211870	Hiller Hub Assembly (Double Bearing)

#402650 – Shoe Sub Assembly 2006



#404376 – Shoe Sub Assembly MPG



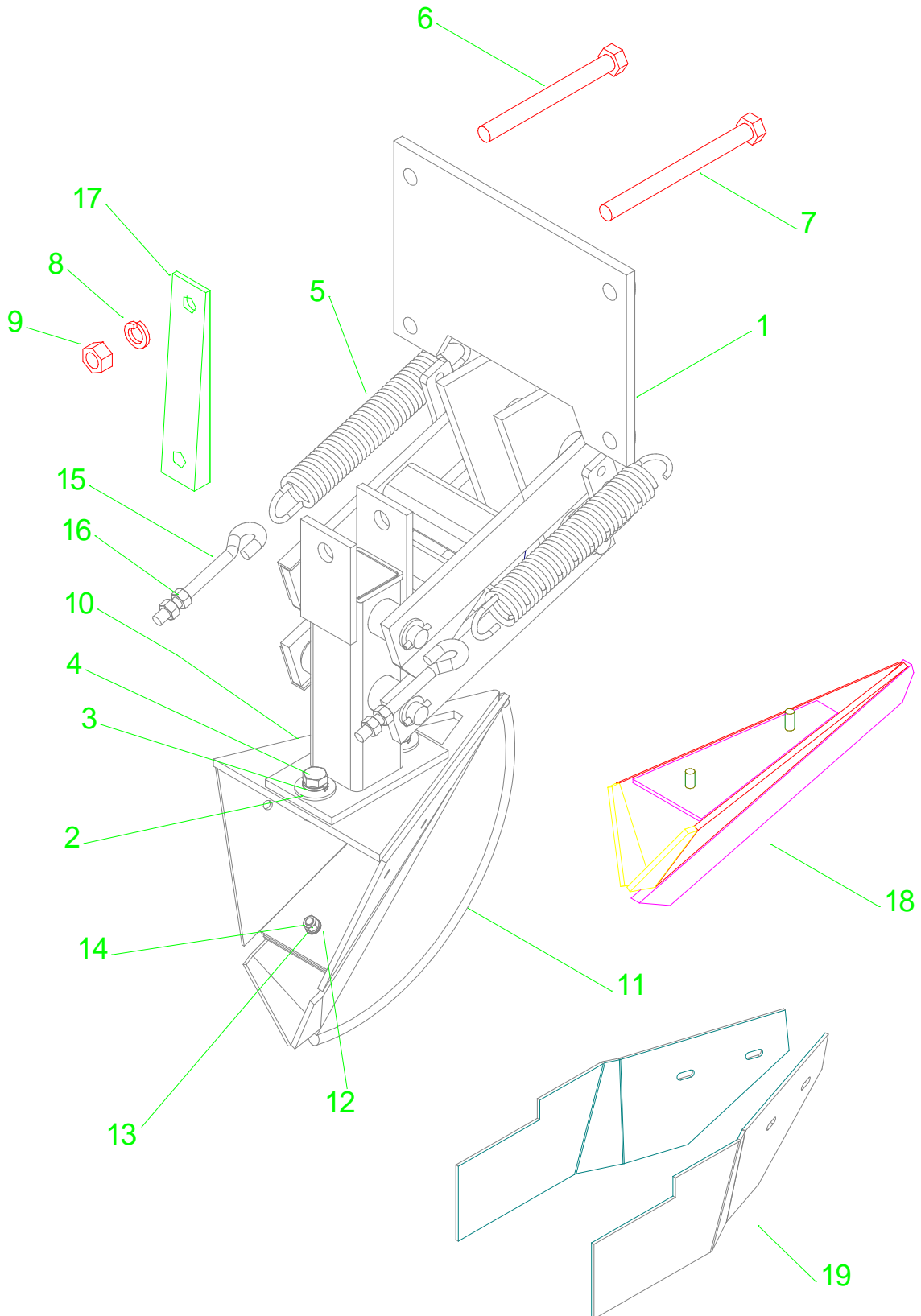
#402650 - Shoe Sub Assembly 2006

Ref.	Part No.	Description
1	400240	Linkage Toolbar Mount
2	400140	Lower Linkage Weldment Right
3	090169	1-1/8" x 7/8" Plastic Igus MFI-1418--24 10
4	400110	Upper Linkage Weldment
5	402660	Shoe Mount Weldment 2005
6	400285	Linkage Pin (cup)
7	021335	7/8" Narrow 10 gauge Bushing
8	020965	1/4 X 1-1/2 Springlock Pin Plated

#404376 - Shoe Sub Assembly MPG

Ref.	Part No.	Description
1	400240	Linkage Toolbar Mount
2	400140	Lower Linkage Weldment Right
3	090169	1-1/8" x 7/8" Plastic Igus MFI-1418--24 10
4	400110	Upper Linkage Weldment
5	404377	Shoe Mount Weldment Heavy
6	400285	Linkage Pin (cup)
7	021335	7/8" Narrow 10 gauge Bushing
8	020965	1/4 X 1-1/2 Springlock Pin Plated

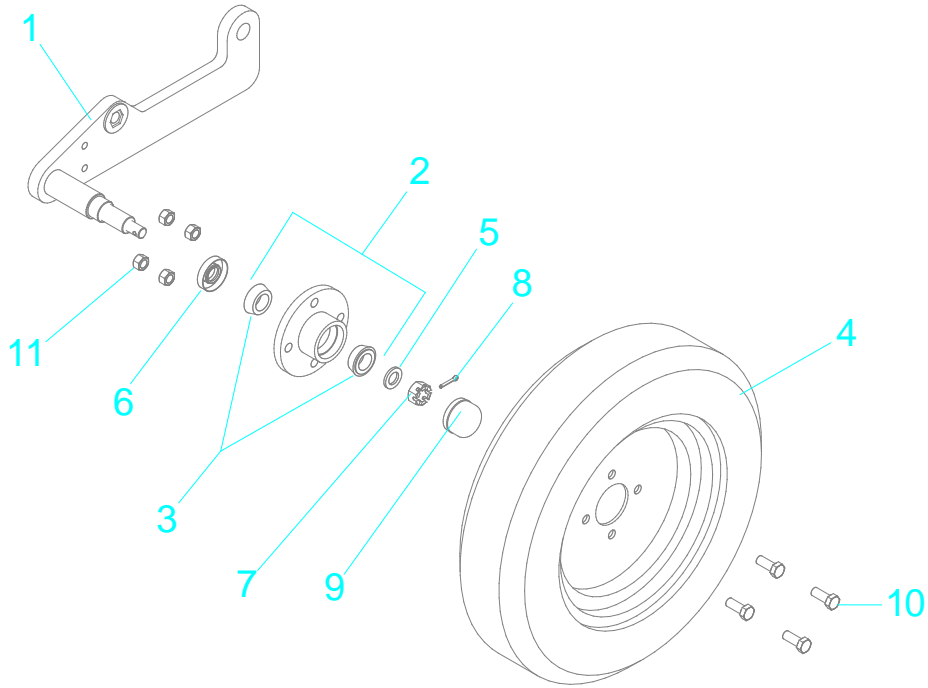
#402651 - Shoe Assembly Complete 2006



#402651 - Complete Shoe Assembly 2006
#404375 – Complete Shoe Assembly MPG

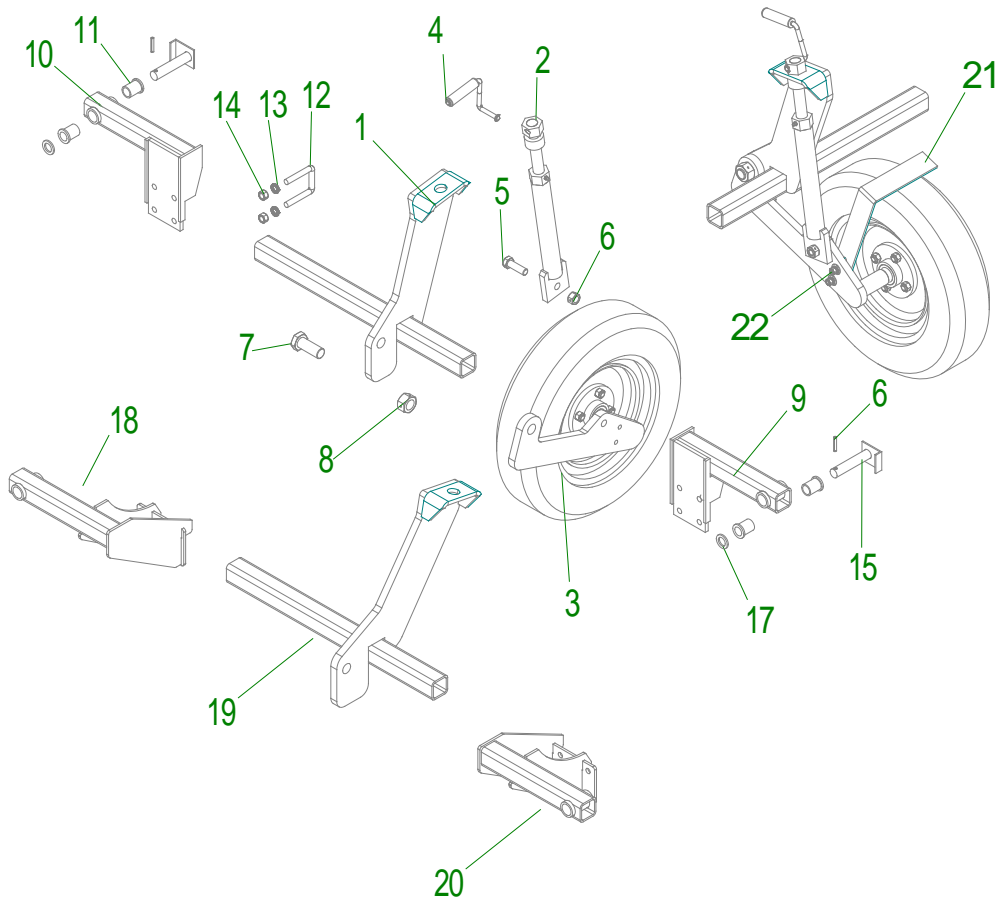
Ref.	Part No.	Description
1	402650	Shoe Sub-Assembly 2006
	404376	Shoe Sub Assembly MPG
2	020536	Washer, 5/8" Flat ZP
3	020506	Washer, 5/8" Regular Lock ZP
4	020065	Bolt, 5/8" X 2" Hex HD
5	226600	Guide Disk Spring
6	020091	Bolt, 3/4" X 7-1/2" NC GR. 5 ZP
7	020099	Bolt, 3/4" X 8-1/2" NC GR. 5 ZP
8	020507	Washer, 3/4" Regular Lock ZP
9	020407	Nut, 3/4" HEX
10	400880	Top Shoe Wide (cup)
11	351900	Planter Ag Shoe Lower
	351920	Chromed Lower Shoe (Optional)
12	020513	Washer, 3/8" Flat
13	020502	Washer, 3/8" Regular Lock ZP
14	020402	Nut, 3/8" Hex
15	400146	1/2" Eyebolt
16	020404	Nut, 1/2" NC
17	404301	4° Shim
18	357725	Lower Shoe Disc Opener Mount Weldment
19	400886	Shoe Extension Package (Optional)

#402570 - Gauge Wheel Sub-Assembly With Tire



#402600 - Gauge Wheel Package 2006

#400785 Gauge Wheel Tire Scraper Package



#402570 - Gauge Wheel Sub-Assembly With Tire

Ref.	Part No.	Description
1	402560	Gauge Wheel Arm Weldment '05
2	357625	Fertilizer Disc Hub w/ Cup 2001
3	082166	Tapered Bearing LM 44643
4	097042	4.80 x 12 Tire/Rim Assembly
5	021314	Washer, 3/4" Machine
6	096203	SE-11Seal
7	020490	Nut, Slotted 3/4" Hex NF
8	020827	Pin, 5/32 x 1" Cotter
9	096204	DC 12 Dust Cap
10	021400	Bolt, WB 10 Wheel Bolt
11	020405	Nut, 1/2" NF

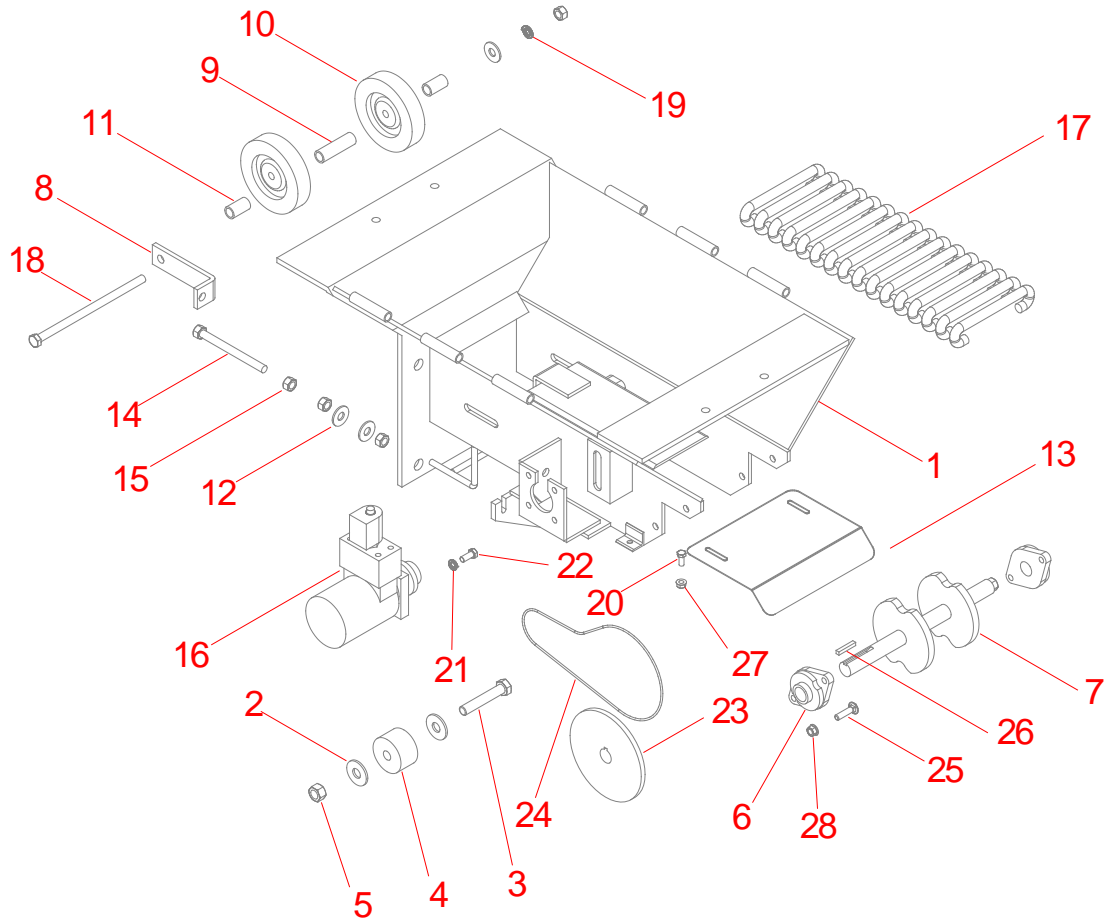
**#402600 - Gauge Wheel Package 2006
#405100 – Forward Gauge Wheel Assembly**

Ref.	Part No.	Description
1	402550	Gauge Wheel Cross Tube Weldment
2	402520	Gauge Wheel Adj. Screw Assembly
3	402570	Gauge Wheel Sub-Assembly w/ tire
4	351240	Gauge Wheel Crank
5	020065	Bolt, 5/8" x 2" NC Gr. 5
6	020427	Nut, 5/8" NC Centerlock
7	020167	Bolt, 1" x 2-1/2" NC Gr. 5
8	020430	Nut, 1" NC Centerlock
9	402630	Gauge Wheel Pivot Weldment Left
10	402640	Gauge Wheel Pivot Weldment Right
11	090169	1-1/8" x 7/8" Plastic Insert
12	021000	U-bolt, 1/2" x 2" x 3"
13	020504	Washer, 1/2" Regular Lock
14	020404	Nut, 1/2" Hex
15	402670	Gauge Wheel Pin Weldment
16	020965	1/4" x 1-1/2" Spring Lock Pin
17	021335	7/8" Narrow 10ga. Bushing
18	405102	Gauge Wheel Pivot Tube Weldment LH (For Assembly # 405100)
19	405103	Gauge Wheel Pivot Tube Weldment RH (For Assembly # 405100)
20	405105	Gauge Wheel X-Tube Weldment (For Assembly # 405100)

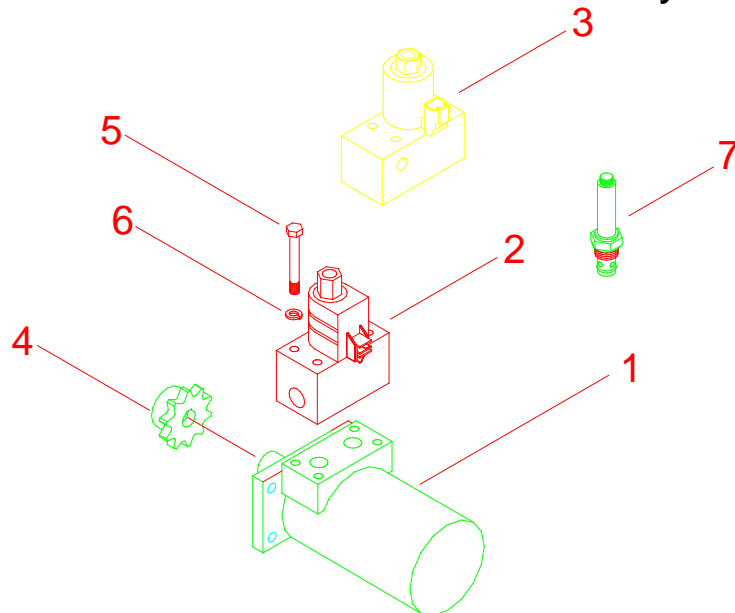
#400785 - Gauge Wheel Tire Scraper Package

Ref.	Part No.	Description
21	400792	Gauge Wheel Tire Scraper Long
22	020629	Carriage Bolt, 3/8 x 1-1/2"
	020513	Washer, 3/8 Flat
	020502	Washer, 3/8 Regular Lock
	020402	Nut, 3/8" Hex

#400820 - Feedbox Assembly



#351505 - Orbital Motor Valve Assembly



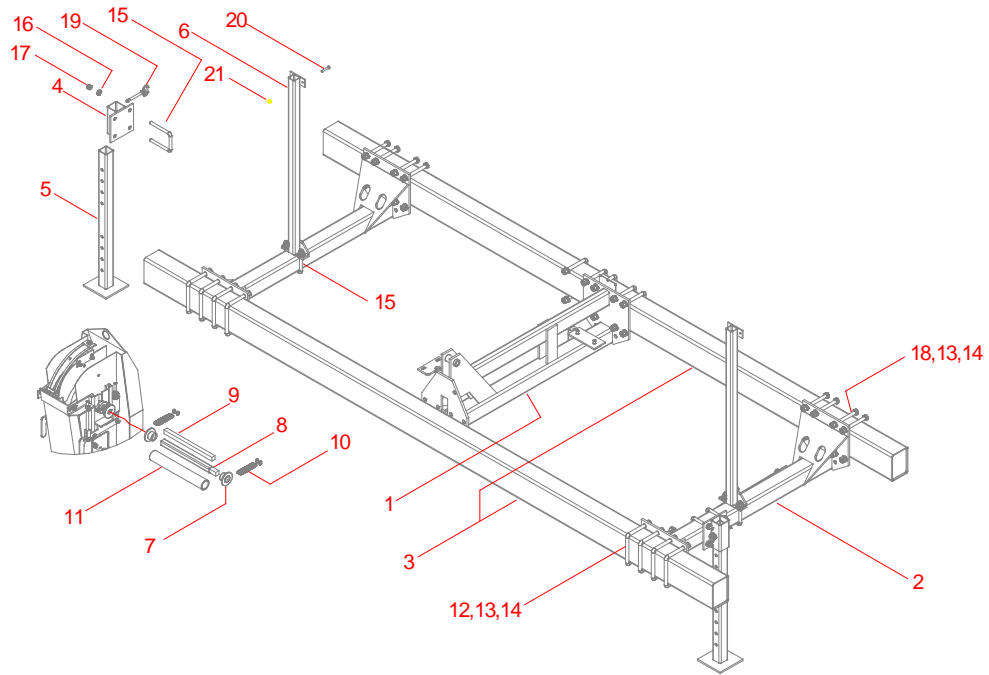
#400820 - Feedbox Assembly

Ref.	Part No.	Description
1	400800	Feedbox Weldment Cup Planter
2	020536	Washer, 5/8" Flat ZP
3	020068	Bolt, 5/8" X 3-1/2" Hex HD
4	351515	2-1/2" OD UMHW Idler
5	020427	Nut, 5/8" Center Lock
6	096049	SBLF 206-16 Assembly 1"
7	351555	Drive Shaft Weldment (Feed Box)
8	351510	Feed Chain Adjustment Flat
9	351598	Feedbox Spacer Long
10	096105	5" Idler Roller 820R
11	351595	Feedbox Spacer
12	020515	Washer, 1/2" Flat
13	404353	Feedbox Deflector
14	351512	1/2" x 6" Threaded Rod W/ Nut
15	020404	Nut, 1/2 Hex
16	351505	Orbital Motor Valve Assembly
17	096026	7" Feed Chain 125 Pitch
18	020123	Bolt, 1/2" X 9 GR 5
19	020504	Washer, 1/2" Regular Lock ZP
20	020015	Bolt, 5/16" X 3/4" Hex HD
21	020502	Washer, 3/8" Regular Lock ZP
22	020111	Bolt, 3/8" x 7/8" GR5 HCPS
23	096041	5030 x 1" Bore Sprocket
24	400821	Feedbox Chain
25	020629	Bolt 3/8" X 1-1/2" Carriage
26	351072	1/4" Keystock 1-1/2" Long
27	020479	Nut, 5/16" Serrated Flange
28	020471	NUT, 3/8" Serrated Flange

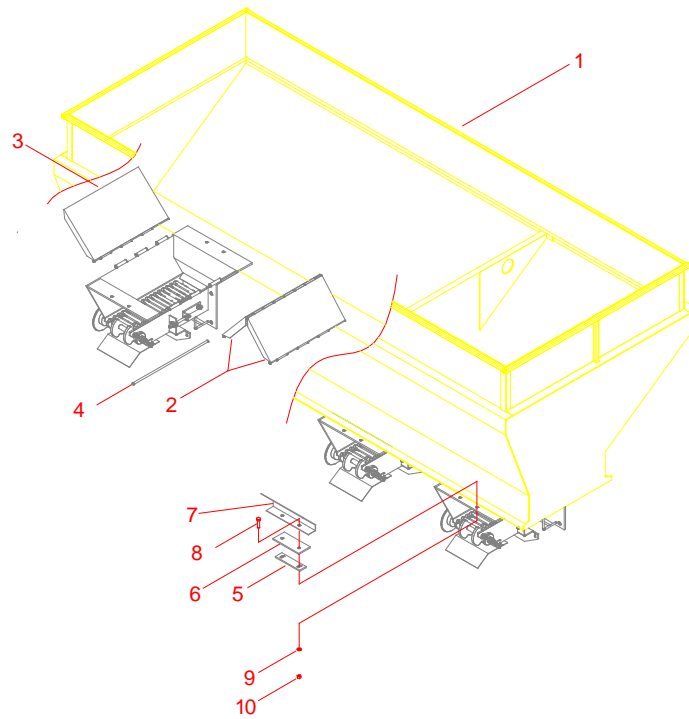
#351505 - Orbital Motor Valve Assembly

Ref.	Part No.	Description
1	096003	Mag Motor
2	096149	Waterman Valve
3	096253	Solenoid w/diode (2009 & above)
4	096108	5010 X 1" Finished Bore Sprocket
5	020019	5/16" X 2 1/2" Bolt
6	020501	5/16" Lock Washer
7	096194	Solenoid Valve Only
NS	096195	Solenoid Coil Only
NS	096254	Solenoid only for 96253 (2009 and above)
NS	021211	Gearbox Woodruff Key
NS	355562	Ground Wire Assembly

Frame Assembly



Tank Assembly



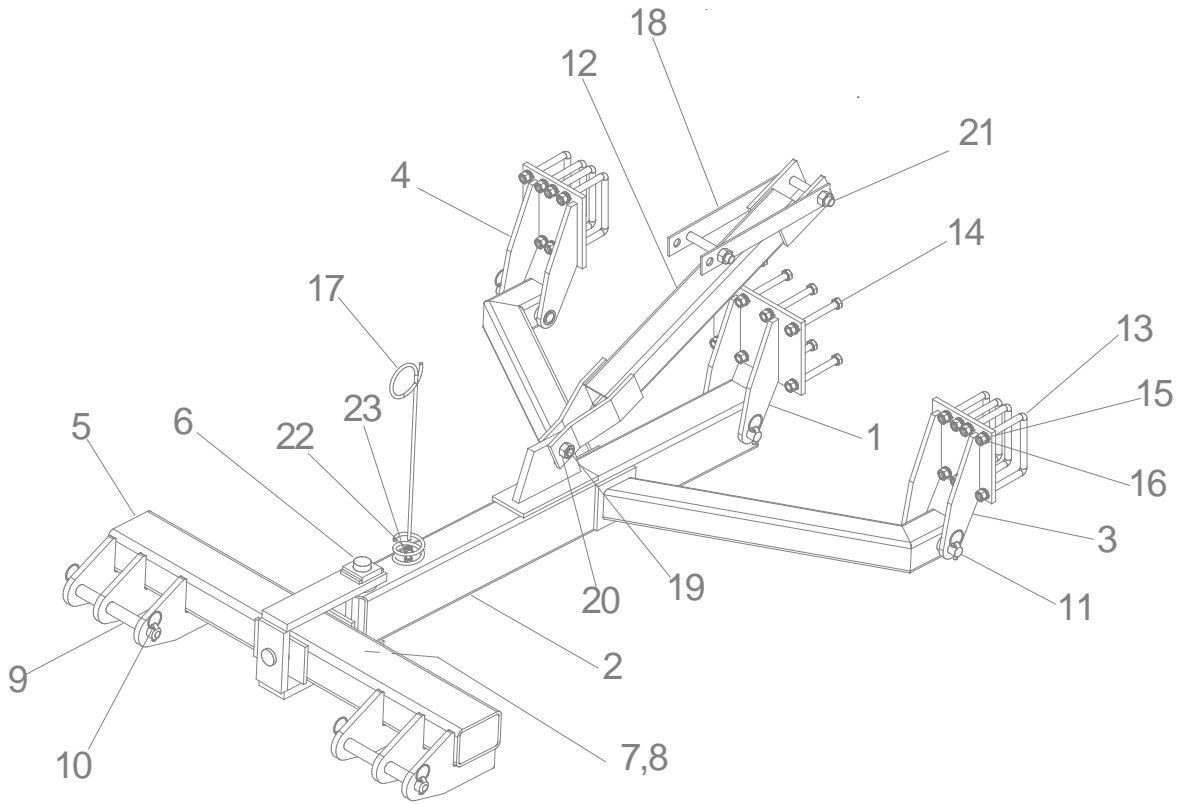
Frame Assembly

Ref.	Part No.	Description
1	404310	Center Frame Cross Tube
2	404305	Cross Member Cup Planter
3	110040	5" x 7" x 1/4" Tool Bar 176"
	110060	5" x 5" Tool Bar 3/8"
	110041	1/4" Tool Bar 260"
4	356510	Parking Stand Mount
5	356520	Parking Stand Upright
6	400440	Tank Upright Weldment
7	354550	Square Coupler Drive Weldment
8	354520	Unit Drive Tube Long
9	354525	Unit Drive Shaft Long
10	354555	Sprocket Coupler Chain
11	095077	2" ABS Pipe 20'
12	021018	3/4" x 7" x 6-1/2" U-Bolt
13	020507	3/4" Lock Washer
14	020407	3/4" NC Nut
15	021009	5/8" x 4 x 5-1/2" U-Bolt
16	020506	5/8" Lock Washer
17	020406	5/8" NC Nut
18	020091	3/4" x 7-1/2" NC GR5 Bolt
19	096068	1/2" Hitch Pin
20	020029	3/8" x 1" NC GR5 Bolt
21	020471	3/8" Flange Nut

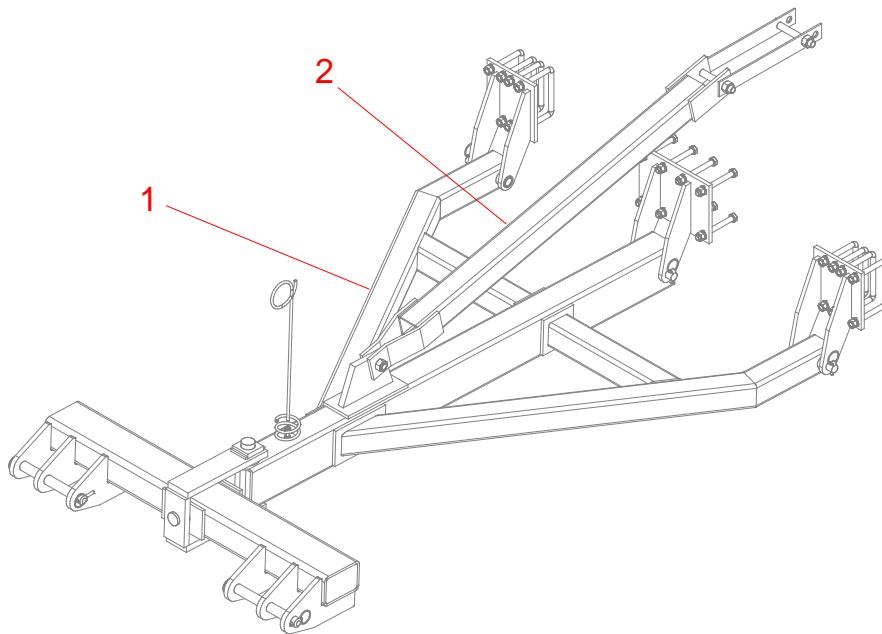
Tank Assembly

Ref.	Part No.	Description
1	400650	4 Row Seed Tank – 12" Extension Cup Planter
	400350	6 Row Seed Tank – 12" Extension Cup Planter
	400360	8 Row Seed Tank – 12" Extension Cup Planter
2	400380	Feed Plate Weldment 11" Cup Planter 23"
3	400385	Feed Plate Weldment 13" Cup Planter 23"
4	400379	Feed Plate Hinge Rod 23"
5	351435	Feed Box Mount Shim
6	351430	Feed Box Mount Strap
7	400547	Seed Deflector
8	020053	1/2" x 2" NC GR 5 Bolt
9	020504	1/2" Lock Washer
10	020404	1/2" NC Nut

#400625 - Hitch Package 4 Row



#400570 – Hitch Package 6 & 8 Row



400625 - Hitch Package 4 Row

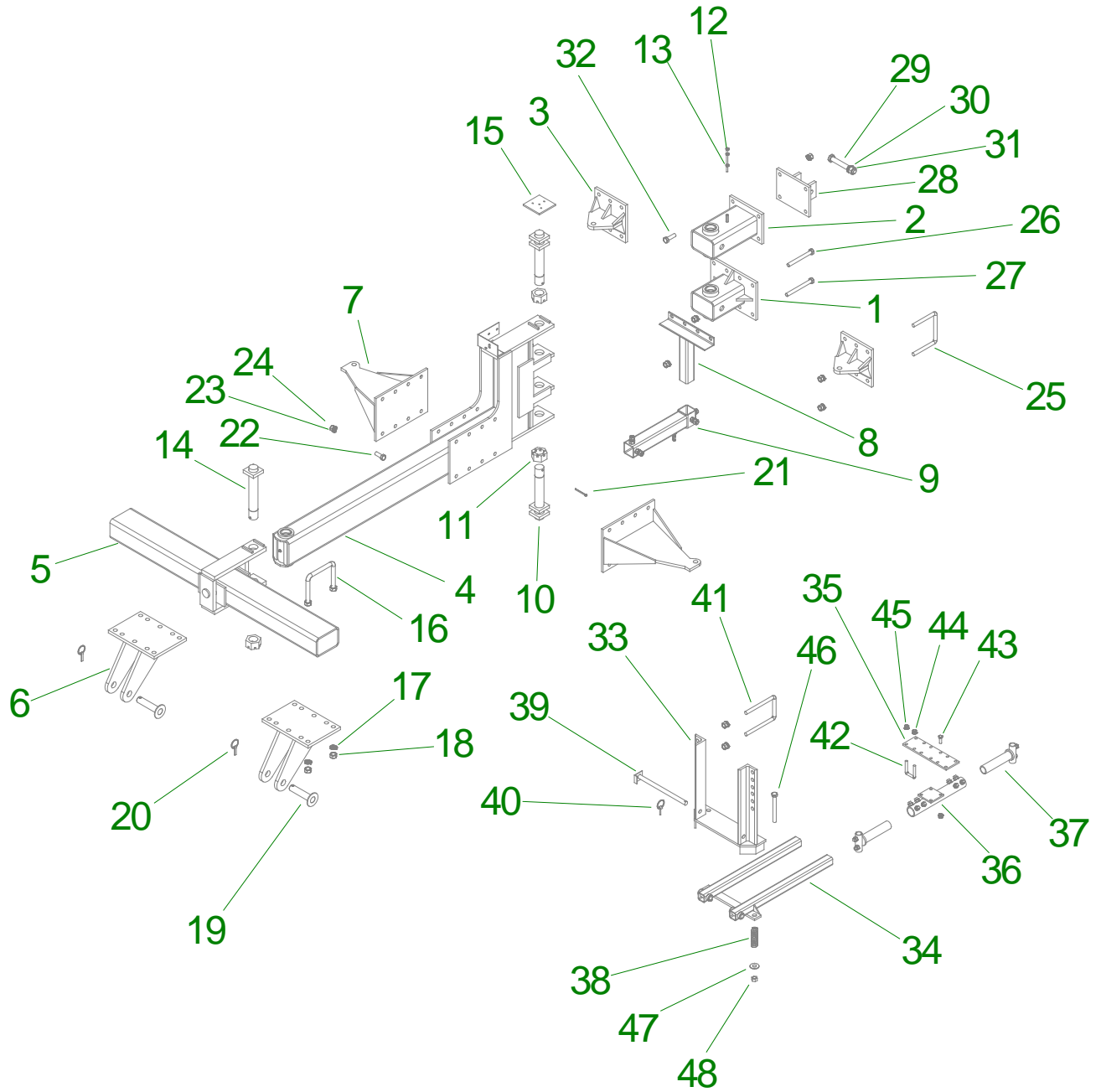
Ref.	Part No.	Description
1	352070	Hitch Mount Center '95
2	400600	Hitch Weldment 4 Row Cup Planter
3	354030	Hitch Mount Left
4	354035	Hitch Mount Right
5	354120	2 Point Pole Swivel Bar
6	354140	Vertical 2 Point Pin Weldment
7	354142	2" NF Slotted Nut
8	020829	PIN, 1/4" X 3" Cotter
9	42029-00	Pin, Headless
10	095032	7/16" Lynch Pin
11	354085	Hitch Pin Weldment 1-1/4"
12	354210	Hitch Brace Arm Short '95
13	021018	3/4" x 7" x 6-1/2" U-bolt
14	020091	Bolt, 3/4" X 7-1/2" NC GR 5 ZP
15	020507	Washer, 3/4" Regular Lock ZP
16	020407	Nut, 3/4" Hex
17	355620	Hydraulic Hose Support
18	353810	Planter Pole Lock-up Flat
19	020103	Bolt, 1" X 3" NC GR 5
20	020430	Nut, 1" Center Lock
21	020108	BOLT, 1" X 7" NC GR 5
22	020504	Washer, 1/2" Regular Lock ZP
23	020404	Nut, 1/2" Hex

400570 – Hitch Package 6 & 8 Row

Ref.	Part No.	Description
1	400575	Hitch Weldment 6 & 8 Row Cup Planter
2	352060	Hitch Brace Arm Long '95

Note: All other components on 6 & 8 Row Hitch are the same as the 4 Row Hitch

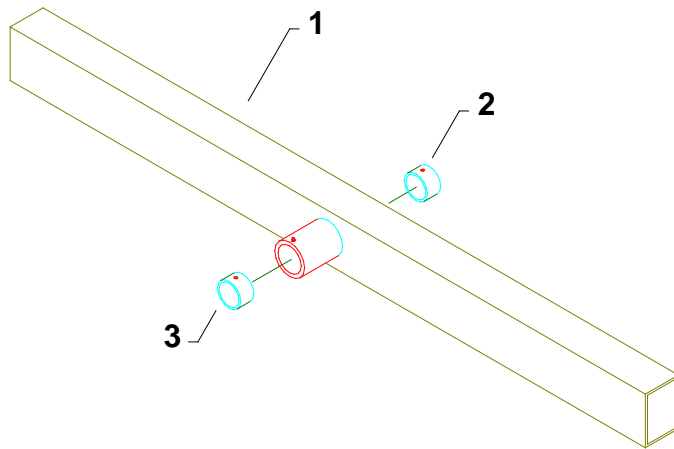
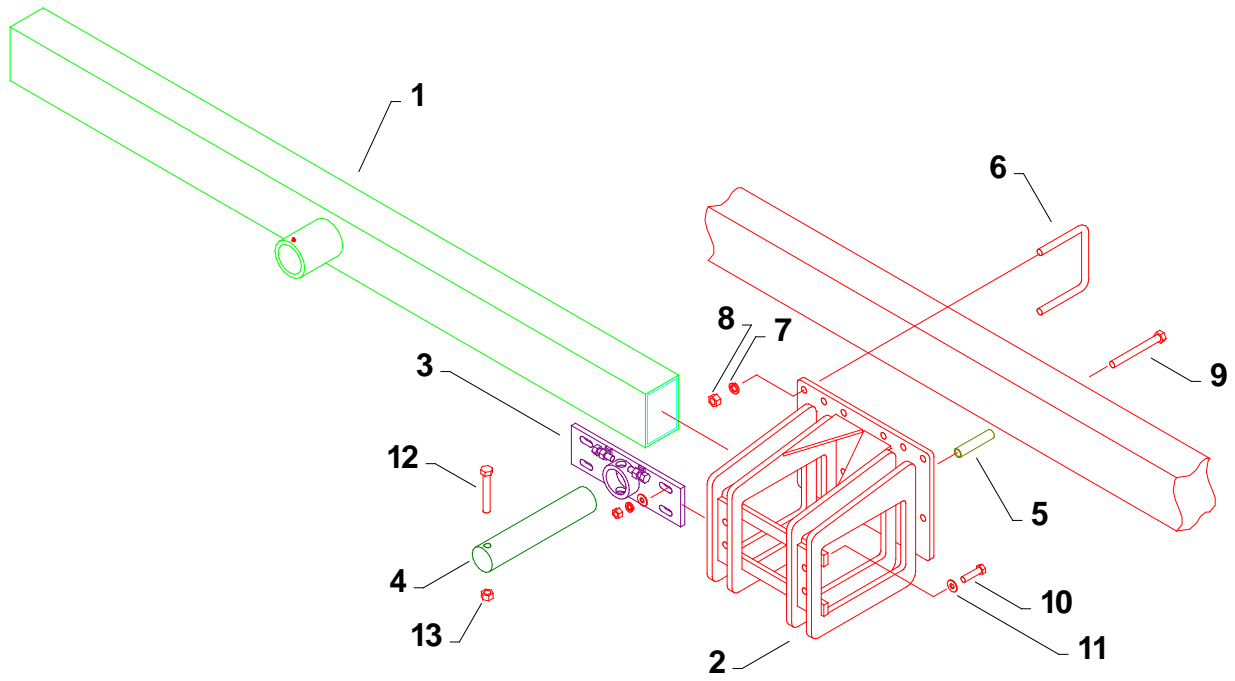
#403200 – Steerable Hitch Package



#403200 – Steerable Hitch Package

Ref.	Part No.	Description
1	403095	Lower Hitch Mount Weldment
2	403085	Upper Hitch Mount Weldment
3	403065	Toolbar Cylinder Weldment
4	403120	Hitch Weldment
5	403130	2 Point Pole Swivel Bar
6	364860	12 Row Marker 2 Point Weldment
7	403125	Hitch Ear Weldment
8	403135	Frame Drop Tube Weldment
9	403140	Side Tube Weldment
10	403145	Vertical 2 Point Pin Weldment
11	354142	2" NF Slotted Nut
12	403128	5/16" Threaded Rod 6" Long
13	020401	5/16" NC Hex Nut
14	354140	Vertical 2 Point Pin Weldment
15	403060	Indicator Weldment
16	021030	7/8" x 7" x 7" U-Bolt
17	020508	7/8" Lock Washer
18	020408	7/8" Hex Nut
19	228400	Category 3 Bottom 3 Point Pin
20	095032	7/16" Lynch Pin
21	020829	PIN, 1/4" X 3" Cotter
22	020082	Bolt, 3/4" X 2" NC GR 5 ZP
23	020507	Washer, 3/4" Regular Lock ZP
24	020407	Nut, 3/4" Hex
25	021018	3/4" x 7" x 6-1/2" U-bolt
26	020090	Bolt, 3/4" X 7" NC GR 5 ZP
27	020091	Bolt, 3/4" X 7-1/2" NC GR 5 ZP
28	403150	Cross Member Mount Weldment
29	020194	Bolt, 1" X 7" NC GR 8 ZP
30	020509	1" Lock Washer
31	020409	1" Hex Nut
32	020083	Bolt, 3/4" X 2-1/2" NC
33	403180	Toolbar Mount Weldment
34	403170	Disc Mount Weldment
35	403163	Mount Plate Long
36	403160	Outer Tube Weldment
37	403155	Slide Tube Weldment
38	021509	Spring, LHL-1500D-6 LEE
39	403190	Pivot Pin Weldment
40	095364	1/4" Lynch Pin
41	021016	3/4" x 5" x 8-1/2" U-bolt
42	021000	1/2" x 2" x 3" U-bolt
43	020052	Bolt, 1/2" X 1-1/2" NC GR 5 ZP
44	020504	Washer, 1/2" Regular Lock ZP
45	020404	Nut, 1/2" Hex
46	020190	Bolt, 3/4" X 7" NC GR 8 ZP
47	020517	3/4" Flat Washer
48	020428	3/4" Centerlock Nut

#355610 - Walking Beam Package



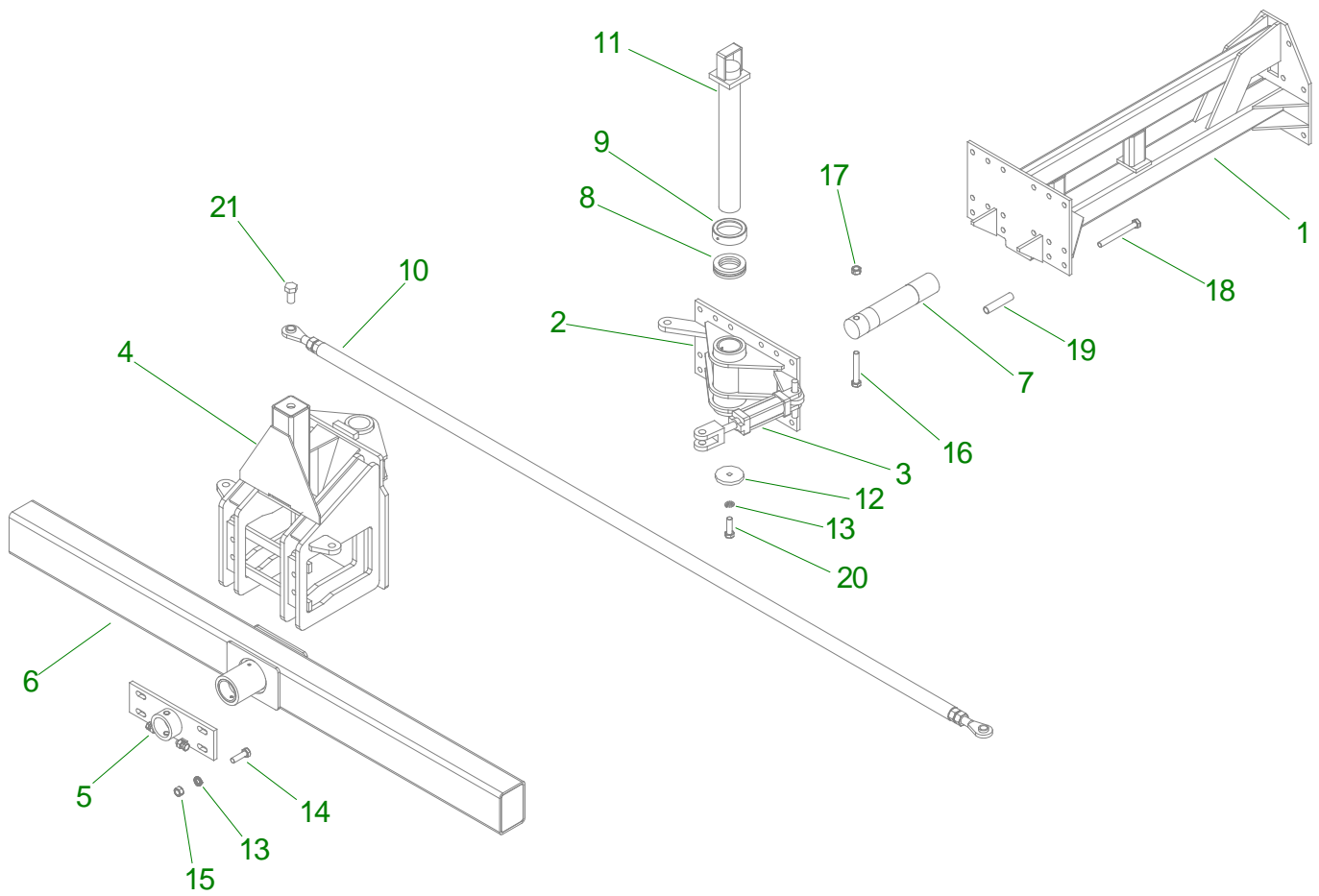
#355610 - Walking Beam Package Add-On

Ref.	Part No.	Description
1	352620	Walking Beam with Bearings
2	352630	Walking Beam Mount Weldment
3	352660	Walking Beam Adjusting Plate
4	352690	Pivot Pin Walking Beam
5	352025	Walking Mount - Cross Beam Spacer
6	021018	3/4" X 7" X 6 1/2" U-Bolt
7	020507	3/4" Lock Washer
8	020407	3/4" Nut
9	020190	3/4" X 7" NC Gr. 8 Bolt
	020491	3/4" NC Gr. 8 Alloy Nut
10	020083	3/4" X 2 1/2" NC Gr. 5 Bolt
11	020517	3/4" Flat Washer
12	020088	3/4" X 5" NC Gr. 5 Bolt
13	020428	3/4" Lock Nut

#352620 Walking Beam with Bearings

Ref.	Part No.	Description
1	352610	Walking Beam Weldment
2	352615	Machined Grooved Bearing
3	096110	3 1/2" OD X 3" ID Bearing (MI-48)

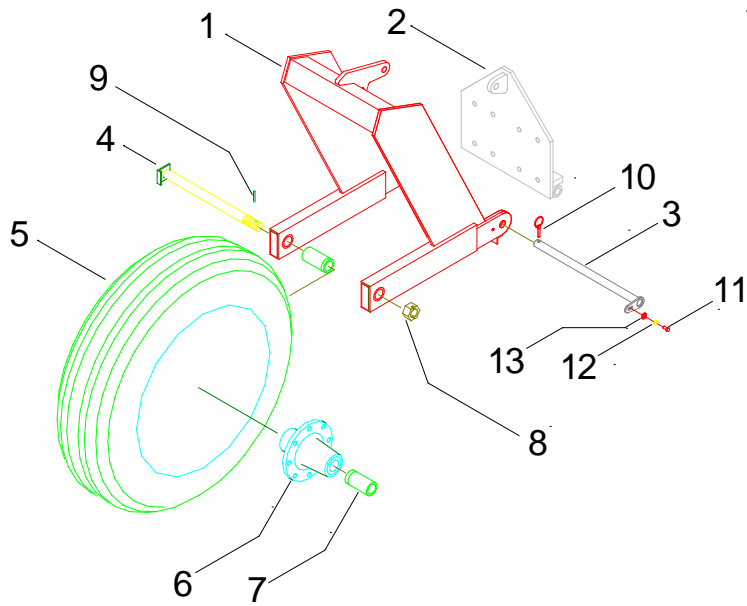
#380301 - Rear Steer Package – Cup Planter



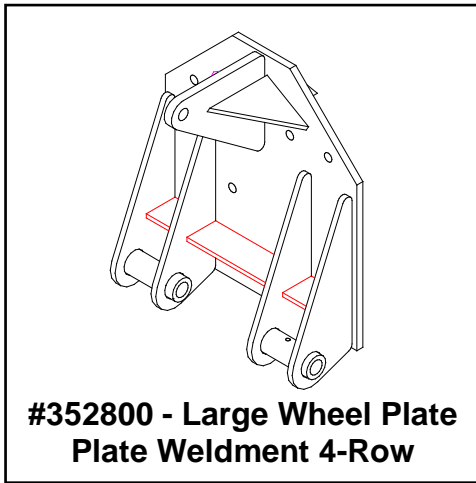
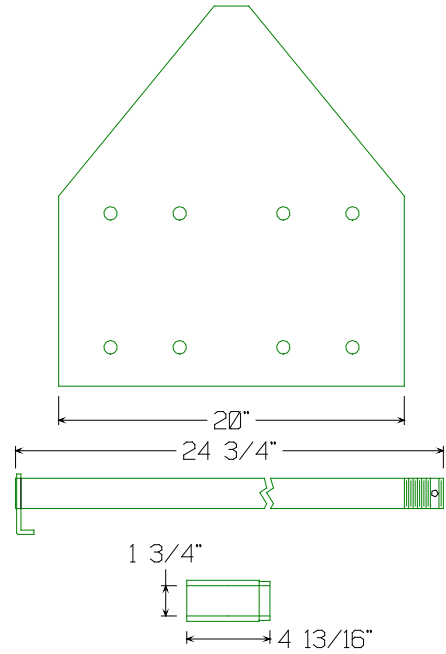
#380301 – Rear Steer Package – Cup Planter

Ref.	Part No.	Description
1	400260	Rear Steer Crossmember Weldment – Cup Planter
2	380320	Toolbar Mount Weldment
3	095123	2 x 4 Hydraulic Cylinder
4	380310	Walking Beam Mount
5	352660	Walking Beam Adjustment Plate
6	352620	Walking Beam Complete With Bearing
7	352690	Pivot Pin – Walking Beam
8	096121	4-1/2 x 3 Thrust Bearing
9	366050	Thrust Bearing Cover 4-1/2" OD
10	380360	Turnbuckle Weldment
11	380370	Vertical Pivot Pin Weldment
12	380373	3" Pin Retainer
13	020507	3/4" Lock Washer
14	020083	3/4" x 2-1/2" Hex Head Bolt
15	020491	3/4" Hex Grade 8 Nut
16	020088	3/4" x 5" Bolt
17	020428	3/4" Centerlock Nut
18	020190	3/4" x 7" Grade 8 Bolt
19	352025	Walking Beam Mount Beam Spacer
20	020083	3/4" x 2-1/2" Bolt
21	020103	1" x 3" Bolt

#352760 - Lift Wheel Assembly - 24"

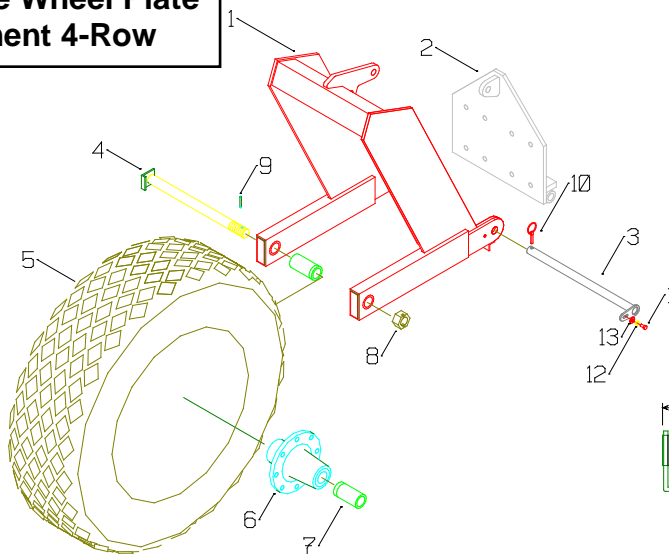


A

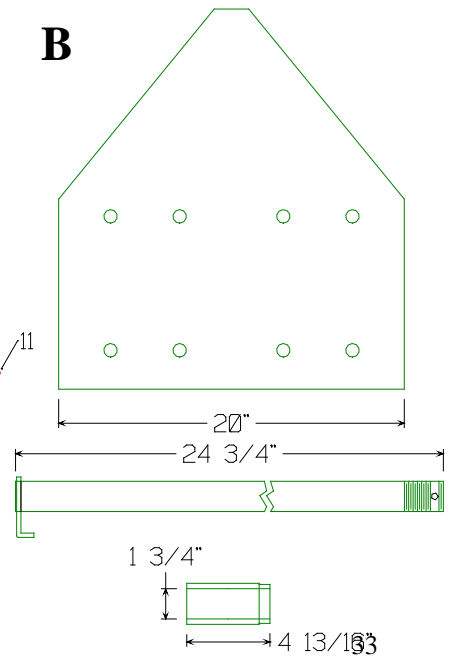


**#352800 - Large Wheel Plate
Plate Weldment 4-Row**

#352756 - 24" Lift Wheel Assembly Diamond



B



#352760 - Lift Wheel Assembly 24" - No Cylinder

Ref.	Part No.	Description
1.	352770	Large Rear Wheel Lift Weldment 1994
2.	352710	Lift Wheel Large Plate Weldment
3.	352740	Pivot Pin Large Wheel
4.	352775	1 3/4" Spindle Weldment
5.	096162	11.25 X 24 tire with Rim
	096166	11.25 x 24 Rim Only
	352870	11.25 x 24 Tire & Rim with 1/2" Center
	352875	11.25 x 24 Rim with 1/2" Center
	096165	11.25 x 24 Tire & Tube
6.	352761	Large Wheel Hub Painted - 8 Bolt
7.	352779	Spindle Spacer (Large Wheel)
8.	020463	1 3/4" NF Slotted Nut
9.	020831	3/8" X 3" Cotter Pin
10.	095032	7/16" Lynch Pin
11.	020111	3/8" x 7/8" Bolt
12.	020502	3/8" Lock Washer
13.	020513	3/8" Flat Washer

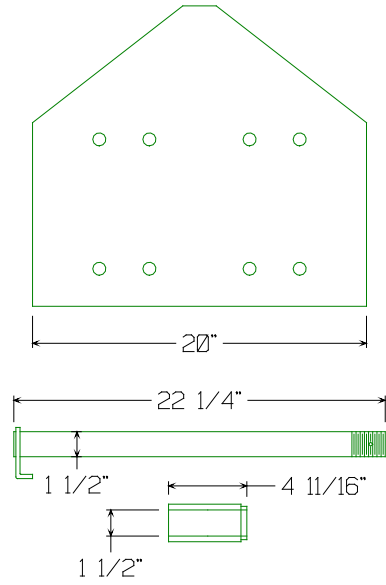
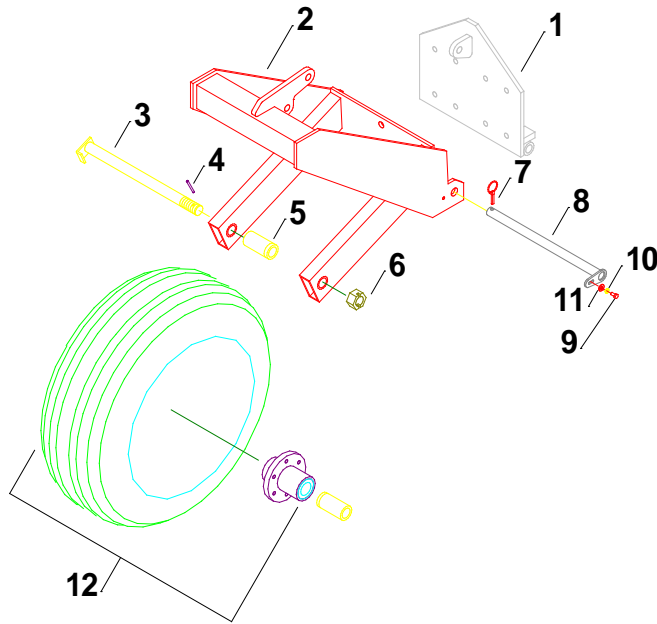
A

#352756 - Lift Wheel Assembly 24" - Diamond -No Cylinder

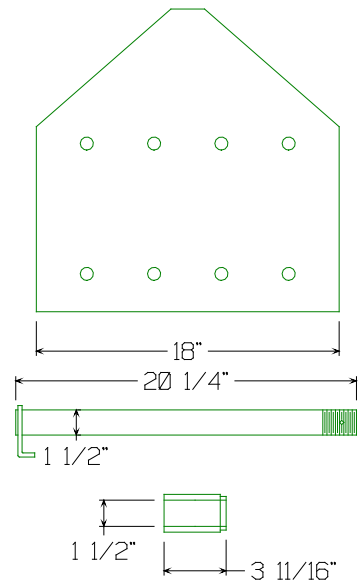
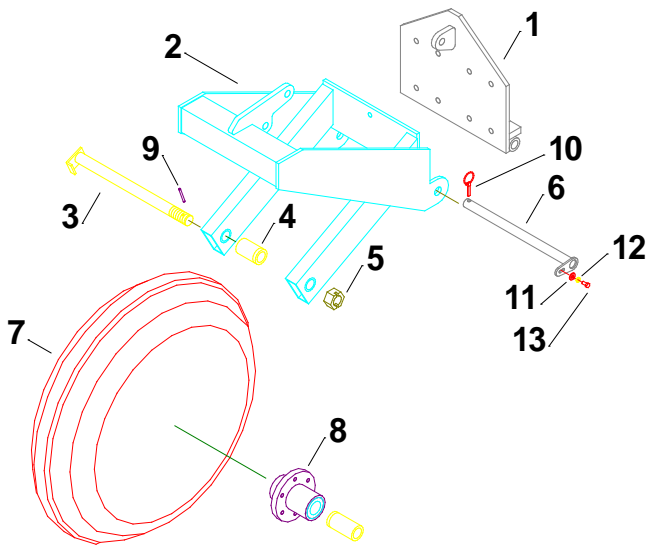
Ref.	Part No.	Description
1.	352770	Large Rear Wheel Lift Weldment 1994
2.	352710	Lift Wheel Large Plate Weldment
3.	352740	Pivot Pin Large Wheel
4.	352775	1 3/4" Spindle Weldment
5.	096163	14.9 X 24 Diamond Tire Rim Assembly.
	096059	14.9 x 24 Rim Only
	352865	14.9 x 24 Tire & Rim with 1/2" Center
	352860	14.9 x 24 rim with 1/2" Center
	096060	14.9 x 24 Diamond Tread Tire with Tube
6.	352761	Large Wheel Hub Painted - 8 Bolt
7.	352779	Spindle Spacer (Large Wheel)
8.	020463	1 3/4" NF Slotted Nut
9.	020831	3/8" X 3" Cotter Pin
10.	095032	7/16" Lynch Pin
11.	020111	3/8" x 7/8" Bolt
12.	020502	3/8" Lock Washer
13.	020513	3/8" Flat Washer

B

#352400 - 8-Row Lift Wheel



#352505 - Fork Hub Assembly



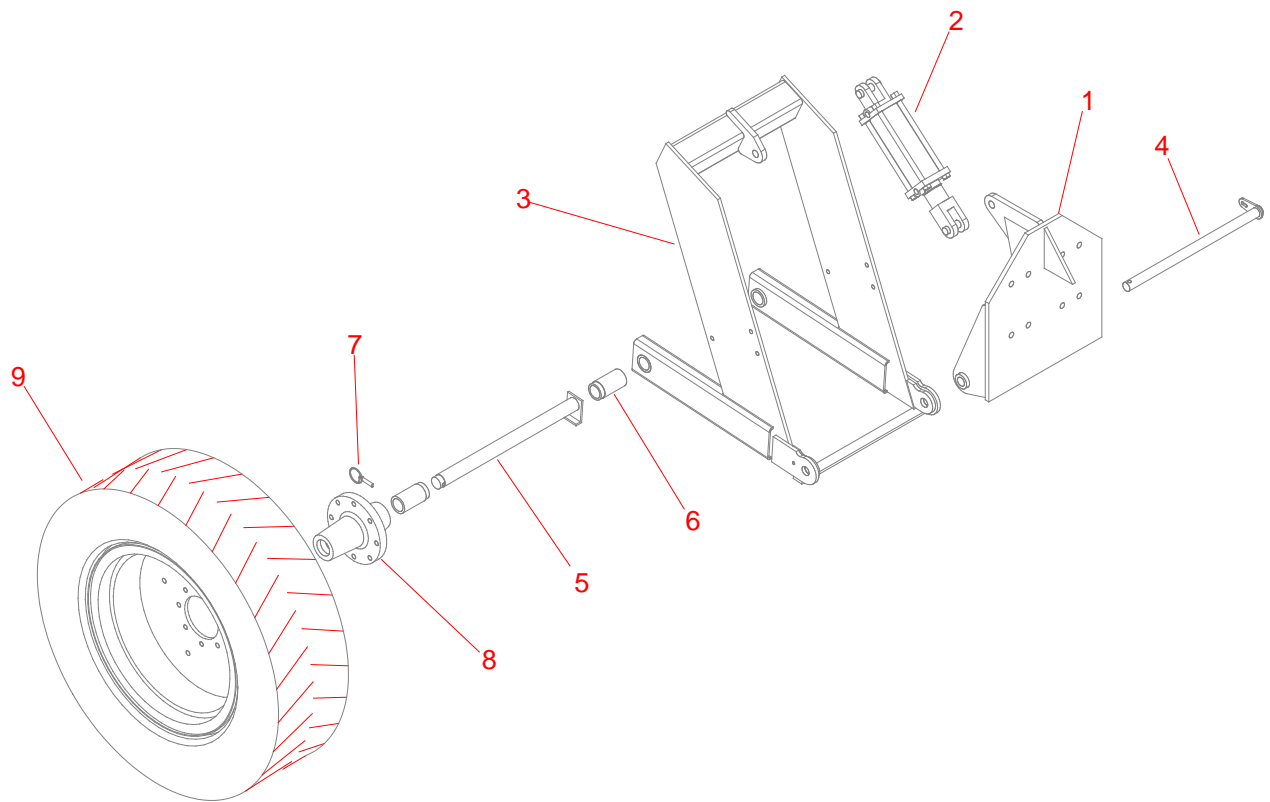
#352400 - 8- Row Lift Wheel Assembly (No Cylinder)

Ref	Part No.	Description
1.	352420	8-Row Lift Wheel Plate Weldment
2.	352410	8-Row Lift Wheel Frame Weldment
3.	352430	1 1/2" Spindle 8-Row
4.	020829	1/4" X 3" Cotter Key
5.	352435	Spindle Spacer (4 11/16" long)
6.	352535	Slotted Spindle Nut
7.	095032	7/16" Lynch Pin
8.	352425	Lift Wheel Pivot Pin
9.	020111	3/8" x 7/8" Bolt
10.	020502	3/8" Lock Washer
11.	020513	3/8" Flat Washer
12.	352566	Flotation Tire Assembly.
	352561	Fork Hub Assembly with Wheel bolts
	096117	14L x 16 10 Ply Tire Rim Assy.
	096169	14L Rim Only

#352505- Lift Wheel Assembly (No Cylinder)

Ref	Part No.	Description
1.	352650	Lift Wheel Plate Weldment
2.	352515	Lift Wheel Frame Yoke Weldment
3.	352530	1 1/2" Spindle
4.	352540	Spindle Spacer
5.	352535	Slotted Spindle Nut
6.	352534	Lift Wheel Pivot Pin (6-Row)
7.	352562	10.00 X 16 8 Ply Tire Rim Assembly
8.	352561	Fork Hub Assembly - 6 Bolt
9.	020830	1/4" X 2 1/2" Cotter Key
10.	095032	7/16" Lynch Pin
11.	020513	3/8" Flat Washer
12.	020502	3/8" Lock Washer
13.	020111	3/8" x 7/8" Gr. 5 NC Bolt

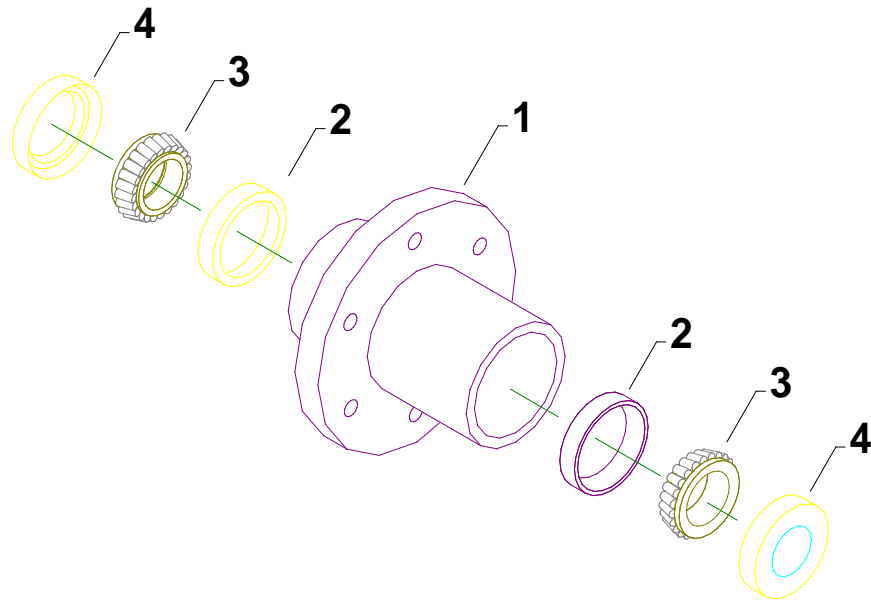
#402400 - Ground Drive Lift Wheel (Rear)



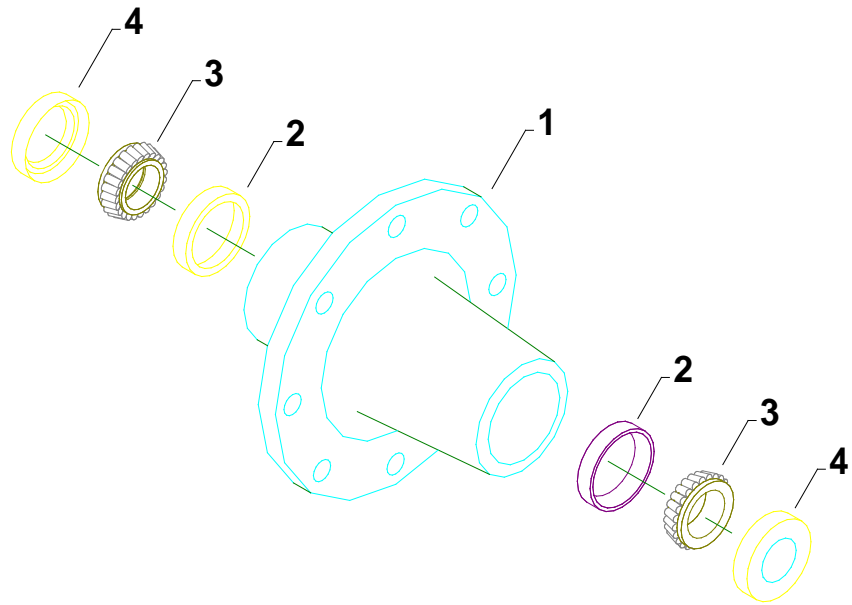
#402400 – Ground Drive Lift Wheel Assembly

Ref	Part No.	Description
1	352800	Large Wheel Plate Weldment (4 Row)
2	095109	3 Inch Hydraulic Cylinder
3	352770	Large Rear Wheel Lift Weldment
4	352740	Pivot Pin Large Wheel
5	352775	1 3/4" Spindle Weldment
6	352784	Spindle Spacer Large Wheel '04
7	095032	7/16" Lynch Pin
8	352761	Large Wheel Hub Painted - 8 Bolt
9	402410	12.4-24 Tire/Rim W/ 1/2" Center Plate

#352561- Fork Hub Assembly



#352761- Large Wheel Hub



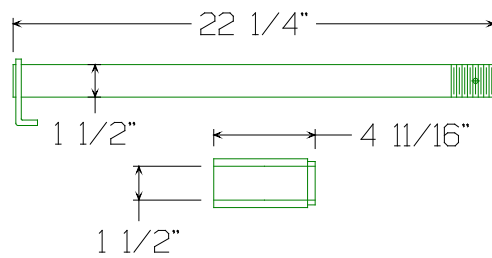
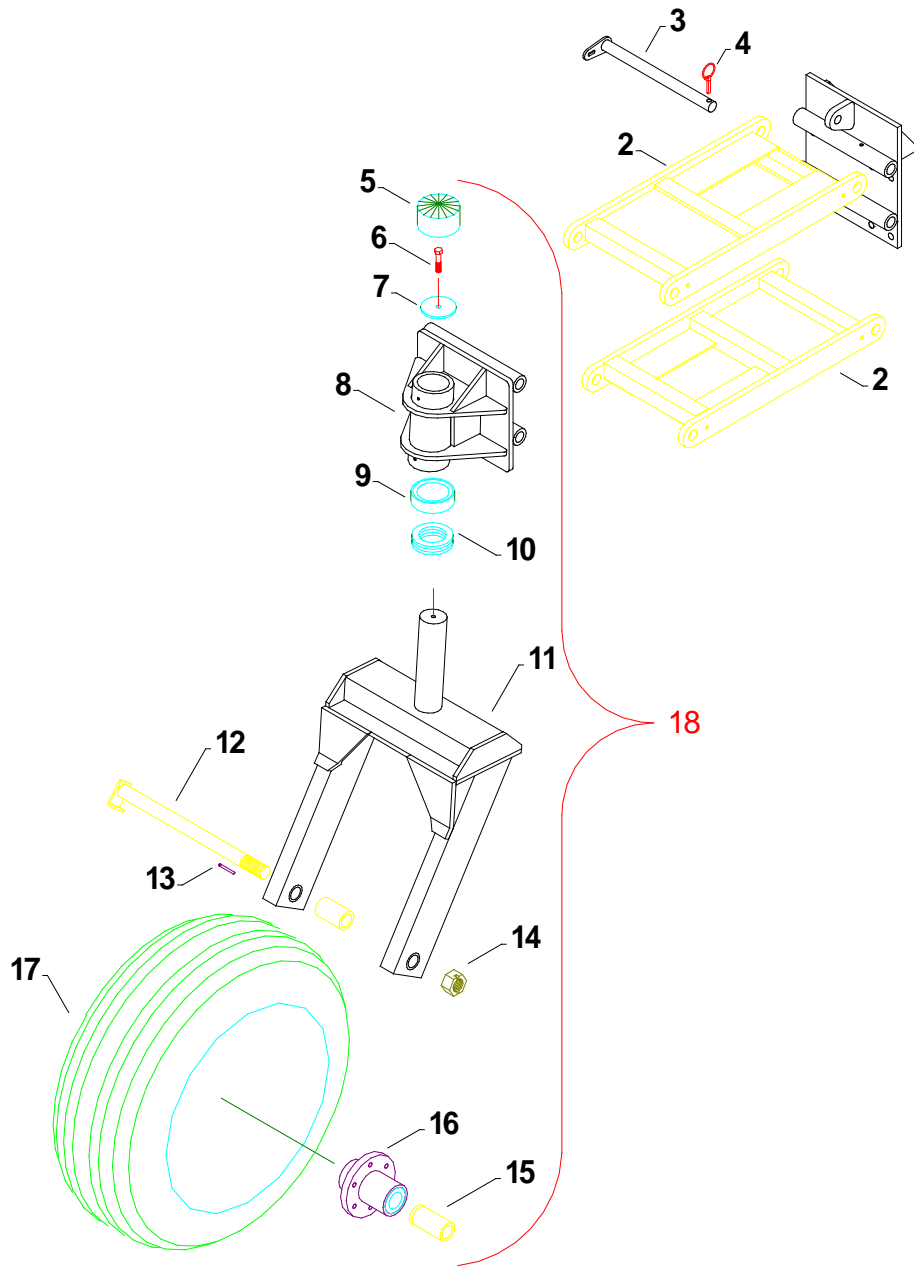
#352561 - Fork Hub Assembly with Wheel Bolts

Ref.	Part No.	Description
1	096031	Hub with Cup (Planter) HA-628
2	082136	Bearing Cup 2720
3	082137	Bearing Cone 2788
4	09692	Seal SE-29 Planter Yoke Hub

#352761 - Large Wheel Hub Painted with Nuts

Ref.	Part No.	Description
1	096181	7500# Hub HDA-820
2	082154	Bearing Cup 25520
3	096183	Tapered Roller Bearing 25500
4	096184	Oil Seal SE26
	096185	Nut WB10

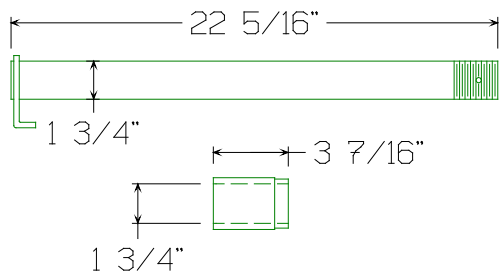
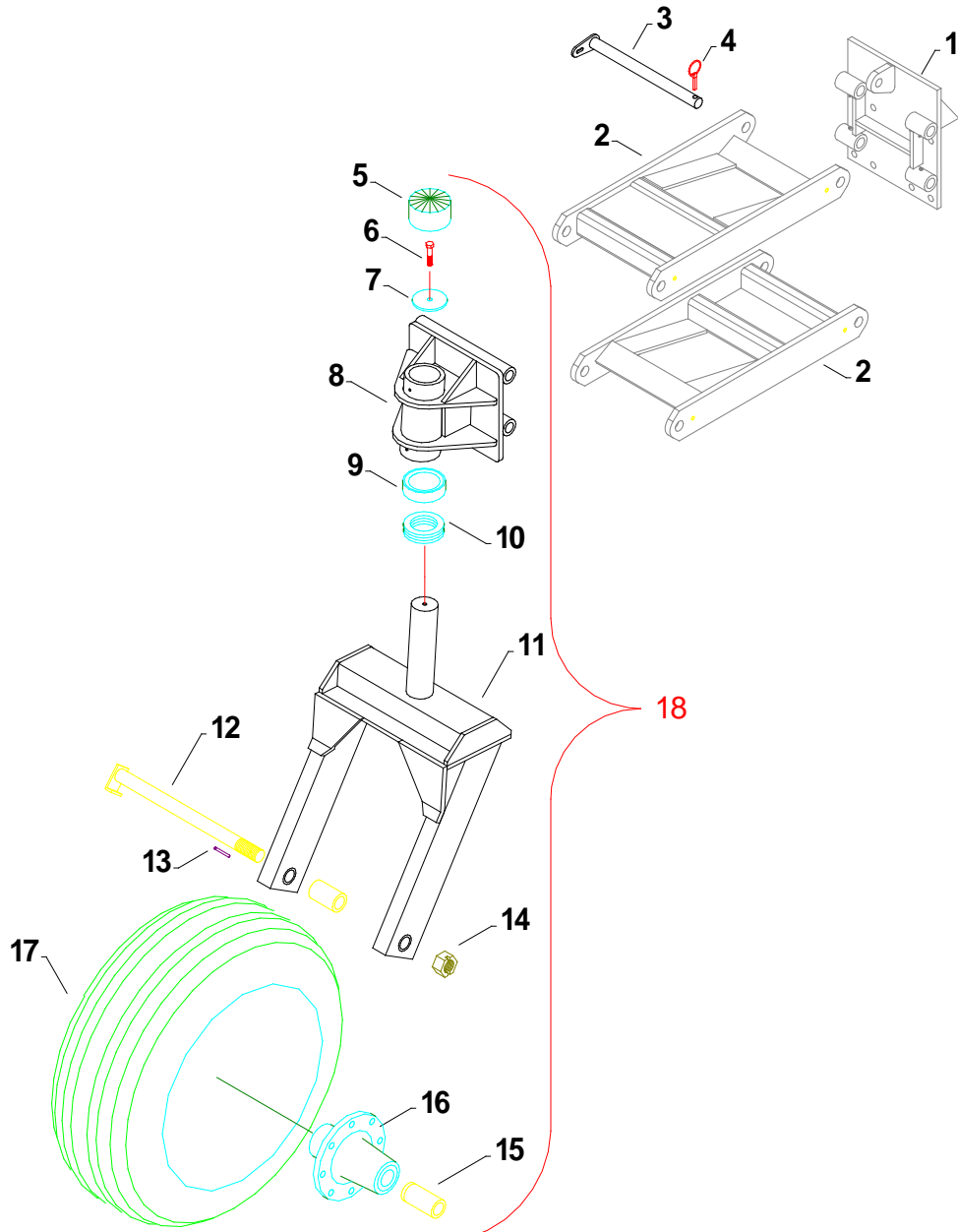
Hydraulic Caster Wheel (Up to 2006 Model Year)



Hydraulic Caster Wheel

Ref.	Part No.	Description
1	365360	Hydraulic Caster Front Mount 3" Bushing
2	365340	Linkage Weldment
3	365355	Hydraulic Caster Wheel Pivot Pin
4	095032	7/16" Lynch Pin
5	095085	Yellow 4 1/2" Cap (Caster Wheel)
6	020118	1/2" X 1 1/4" NC Gr. 5 Bolt
7	352578	Retainer Cap
8	365365	Hydraulic Caster Mount Weldment 3" Bushing
	365040	Brass Bushing with Grease Groove
9	366050	Truss Bearing Cover 4 1/2" OD
10	096121	4 1/2" OD X 3" ID Truss Bearing G-41
11	365310	Hydraulic Caster Wheel Frame
12	352430	1 1/2" Spindle 8 - Row
13	020829	1/4" X 3" Cotter Key
14	352535	Slotted Spindle Nut
15	352435	Spindle Spacer (4 11/16")
16	352561	Fork Hub Assembly
17	096097	Flotation Tire Rim Assembly 12.5 X 16
18	365305	Hydraulic Caster Wheel Assembly

Hydraulic Caster Wheel (2007 Model Year & up)

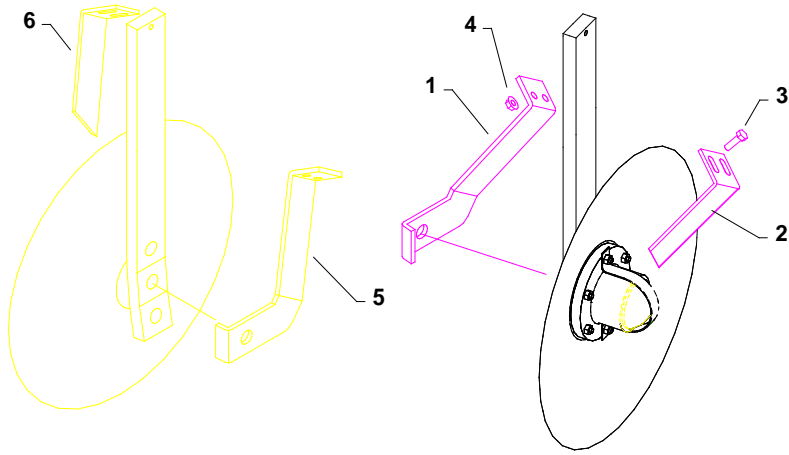


Hydraulic Caster Wheel

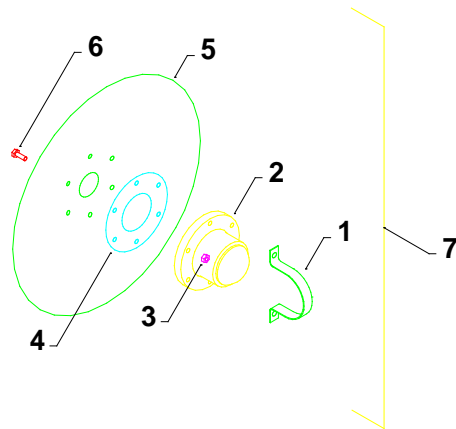
Ref.	Part No.	Description
1	365370	Hydraulic Caster Front Mount With Gusset
2	365380	Caster Linkage 2007
3	365355	Hydraulic Caster Wheel Pivot Pin
4	095032	7/16" Lynch Pin
5	095085	Yellow 4 1/2" Cap (Caster Wheel)
6	020118	1/2" X 1 1/4" NC Gr. 5 Bolt
7	352578	Retainer Cap
8	365365	Hydraulic Caster Mount Weldment 3" Bushing
	365040	Brass Bushing with Grease Groove
9	366050	Truss Bearing Cover 4 1/2" OD
10	096121	4 1/2" OD X 3" ID Truss Bearing G-41
11	365390	Hydraulic Caster Yoke 2007
12	352395	1-3/4" Spindle Weldment (Caster)
13	020829	1/4" X 3" Cotter Key
14	020463	1-3/4" NF Slotted Nut
15	365396	Caster Spacer 2007 1-3/4"
16	352761	Large Wheel Hub Painted – 8 Bolt
17	096271	12.5 X 16 Tire/Rim 8 Bolt
18	365304	Caster Wheel Assembly 2007

#211940 - Disc Scraper Pair

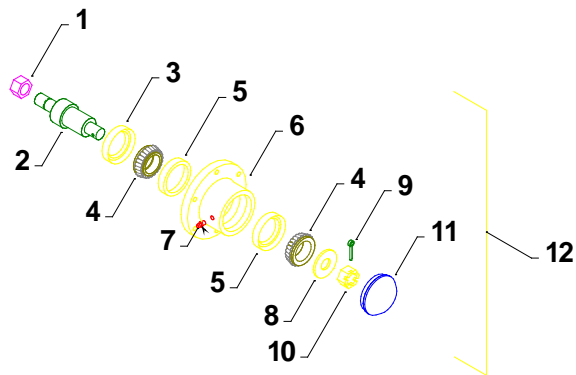
A



B



C



#211940 - Disc Scraper Pair - Discs shown for illustration purposes

Ref.	Part No.	Description
1	211941	Scraper Mount Right
2	211943	Scraper Right
3	020757	5/16" X 1" Carriage Bolt
4	020479	5/16" Flange Nut
5	211942	Scraper Mount Left
6	211944	Scraper Left

A

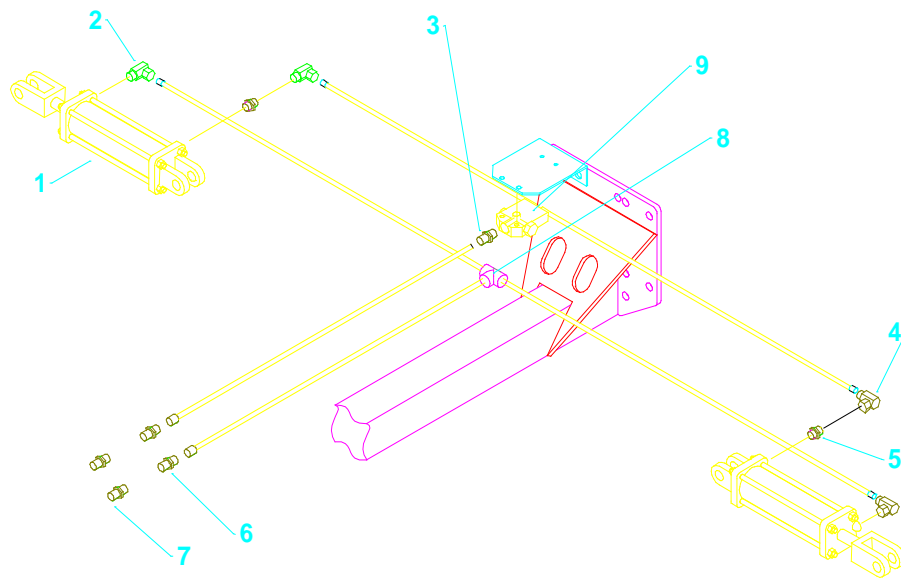
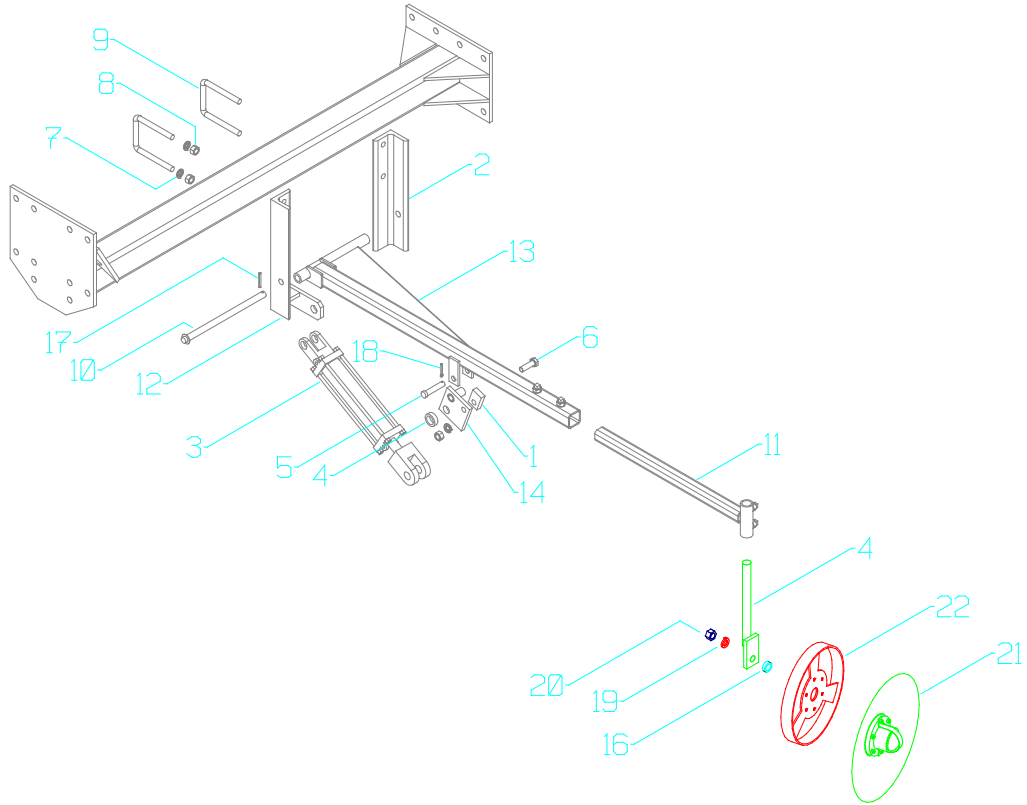
Ref.	Part No.	Description
1	211876	Double Bearing Dust Cap Strap
2	211870	Hiller Hub Assembly (Double Bearing)
3	020421	1/4" Center Lock Nut
4	095045	Flange Gasket
5	090024	Disc 16" Concave (Hillers)
6	020003	1/4" X 1 1/4" NC Gr. 5 Bolt
7	211845	Disc with Hub (Double Bearing)

B

Ref.	Part No.	Description
1	020415	3/4" NF Nut
2	211875	Hiller Disc Spindle
3	095115	Double Lip Seal
4	095020	Tapered Bearing LM 67048
5	095069	Bearing Cup LM 67010
6	090210	Hiller Hub with Race
7	095036	1/4"-28 Straight Zerk
8	020517	3/4" Flat Washer
9	020827	5/32" X 1" Cotter Pin
10	020490	3/4" NF Plain Hex Slotted Nut
11	090015	Dust Cap (DC-13)
12	211870	Hiller Hub Assembly (Double Bearing)

C

#3562 - 4 Row Marker (Tractor Center Mark)

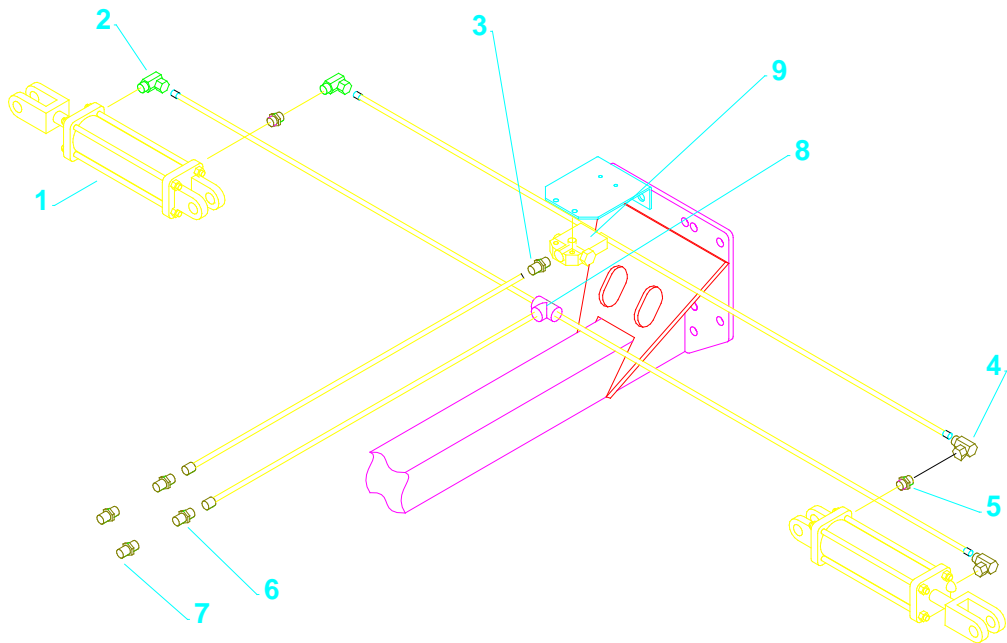
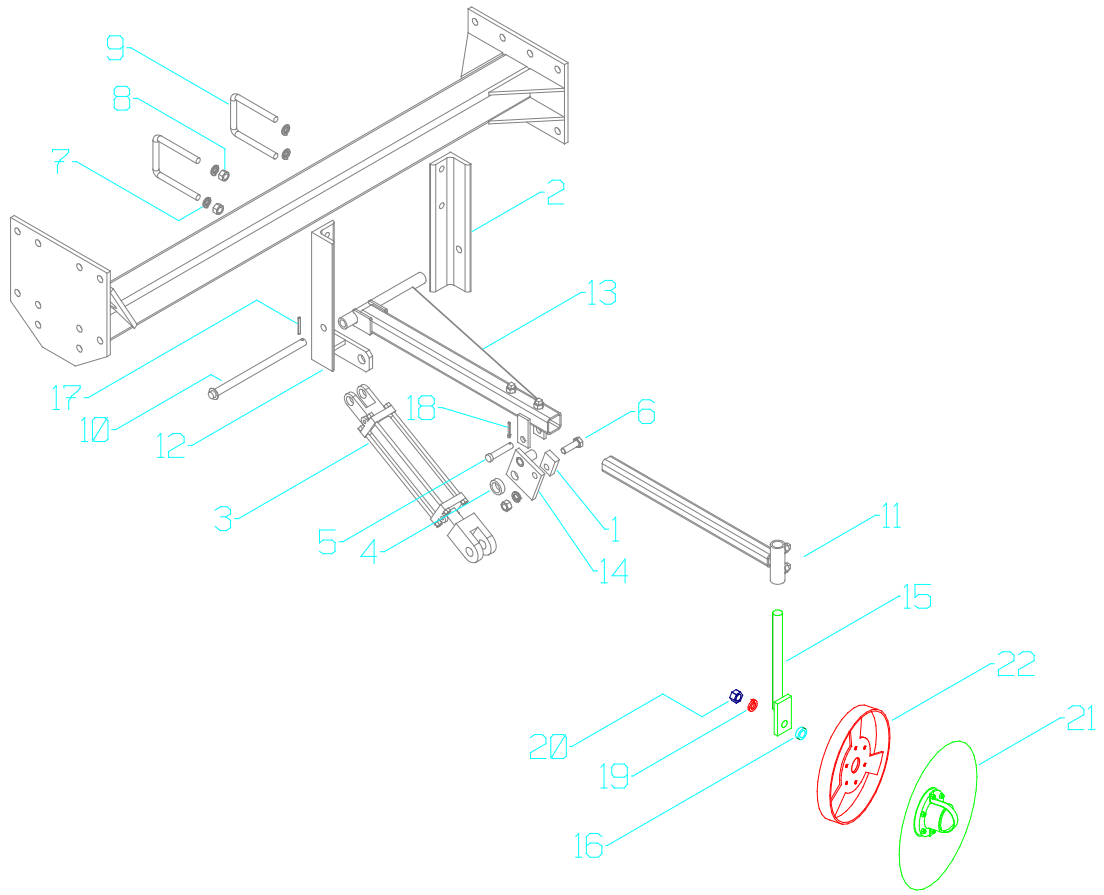


#3562 - 4 Row Marker Package (Tractor Center Mark)

Ref.	Part No.	Description
1	356928	Stop Flat
2	356953	Right Angle Paint Only
	356952	Left Angle Paint Only
3	095171	Cylinder, 3" x 8" ORB Port
4	356929	Cylinder Spacer Bushing
5	020896	5/8" x 3" Clevis Pin
6	020065	5/8" x 2" Bolt
7	020506	5/8" Lock Washer
8	020406	5/8" Nut
9	021009	5/8" X 4" X 5 1/2" U-bolt
10	356930	4 Row Pivot Pin Weldment
11	356420	Marker Extension Arm (Long)
12	356950	Right Angle w/cylinder mount '03
	356955	Left Angle w/cylinder mount '03
13	356965	4 Row Marker Arm Right (Center)
	356960	4 Row Marker Arm Left (Center)
14	356940	Cylinder Pivot Weldment Right
	356925	Cylinder Pivot Weldment Left
15	356440	Marker Disc Mount
16	211663	3/8" Bushing Spacer (Marker)
17	020967	1/4" x 2" Roll Pin
18	020826	3/16" x 1-1/2" Cotter Pin
19	020507	3/4" Lock Washer
20	020407	3/4" Nut
21	211845	Disc with Hub (Double Bearing)
22	211850	Marker Depth Guide Wheel

Ref.	Part No.	Description
1	095171	2" x 8" 3/4" ORB Port Cylinder
2	095169	#8 (3/4") ORB x #6 (9/16") JIC Elbow
3	095167	#8 (3/4") ORB x #6 (9/16") JIC Adapter
4	095166	ORB Elbow Restrictor
5	095165	3/8 Pipe Thread Adapter 37°
6	095170	#6 (9/16") JIC x 1/2 MPT Adapter
7	095012	Male Tip 1/2" Pioneer End
8	095160	#6 (9/16") JIC Tee
9	096048	Sequence Valve

#3561 - 4 Row Marker (Tractor Tire Mark)

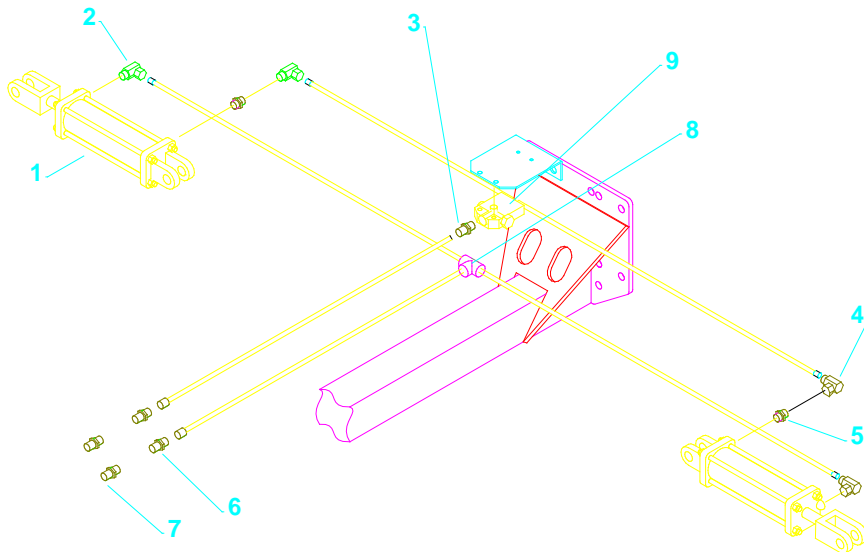
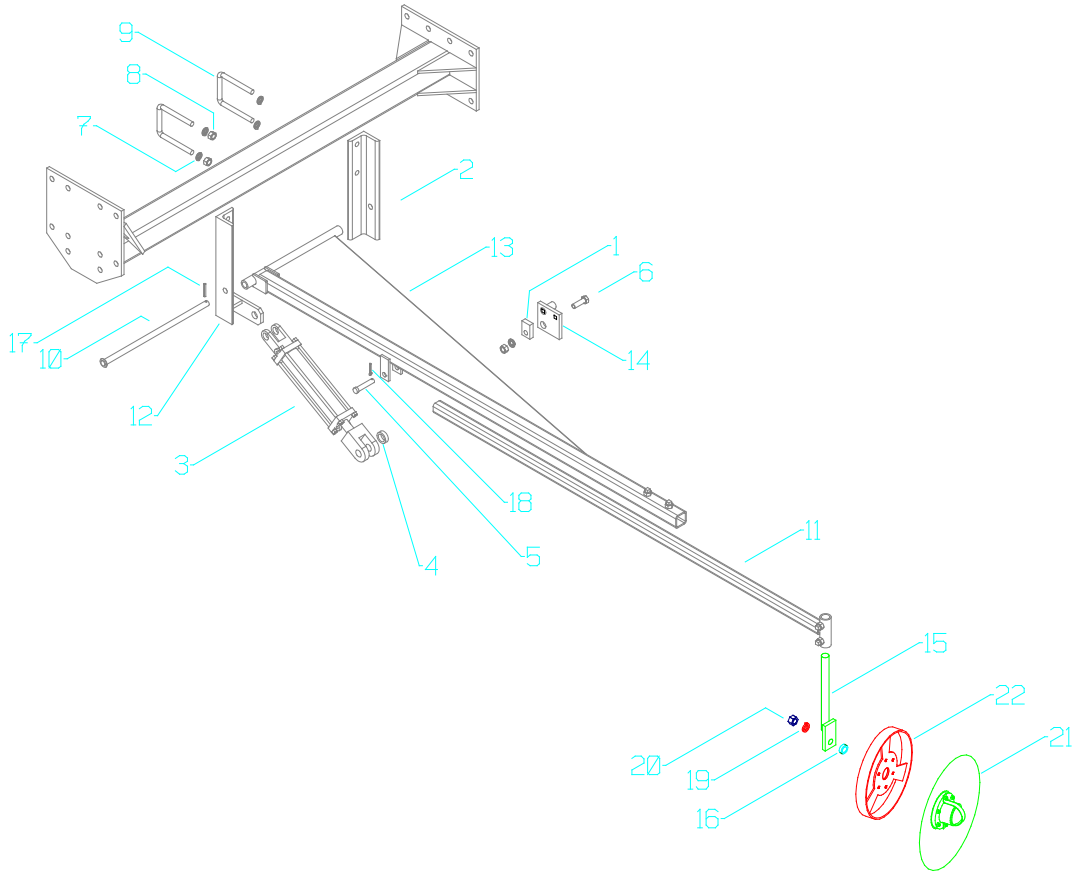


#3561 - 4 Row Marker Package (Tractor Tire Mark)

Ref.	Part No.	Description
1	356928	Stop Flat
2	356953	Right Angle Paint Only
	356952	Left Angle Paint Only
3	095171	Cylinder, 3" x 8" ORB Port
4	356929	Cylinder Spacer Bushing
5	020896	5/8" x 3" Clevis Pin
6	020065	5/8" x 2" Bolt
7	020506	5/8" Lock Washer
8	020406	5/8" Nut
9	021009	5/8" X 4" X 5 1/2" U-bolt
10	356930	4 Row Pivot Pin Weldment
11	356750	Marker Extension Arm 24" Long
12	356950	Right Angle w/cylinder mount '03
	356955	Left Angle w/cylinder mount '03
13	356935	4 Row Marker Arm Right (Tire Tracks)
	356920	4 Row Marker Arm Left (Tire Tracks)
14	356940	Cylinder Pivot Weldment Right
	356925	Cylinder Pivot Weldment Left
15	356440	Marker Disc Mount
16	211663	3/8" Bushing Spacer (Marker)
17	020967	1/4" x 2" Roll Pin
18	020826	3/16" x 1-1/2" Cotter Pin
19	020507	3/4" Lock Washer
20	020407	3/4" Nut
21	211845	Disc with Hub (Double Bearing)
22	211850	Marker Depth Guide Wheel

Ref.	Part No.	Description
1	095171	2" x 8" 3/4" ORB Port Cylinder
2	095169	#8 (3/4") ORB x #6 (9/16") JIC Elbow
3	095167	#8 (3/4") ORB x #6 (9/16") JIC Adapter
4	095166	ORB Elbow Restrictor
5	095165	3/8 Pipe Thread Adapter 37°
6	095170	#6 (9/16") JIC x 1/2 MPT Adapter
7	095012	Male Tip 1/2" Pioneer End
8	095160	#6 (9/16") JIC Tee
9	096048	Sequence Valve

#3571 - 6 Row Marker

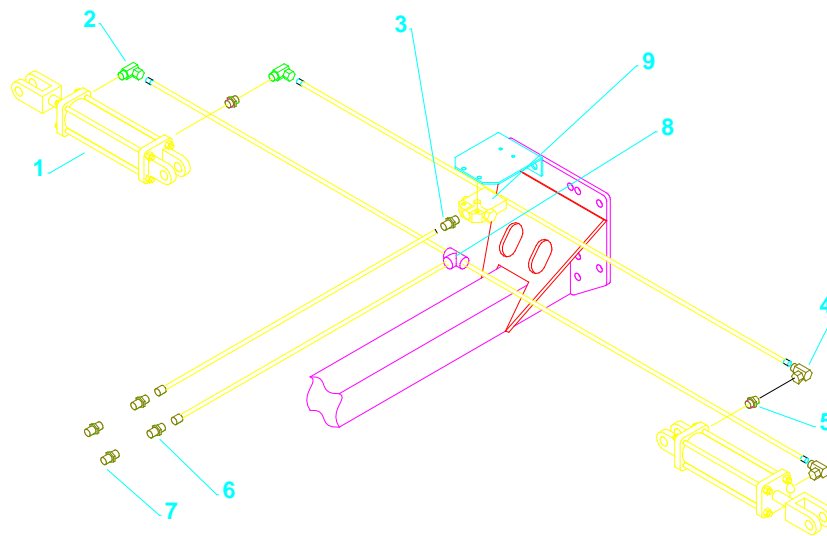
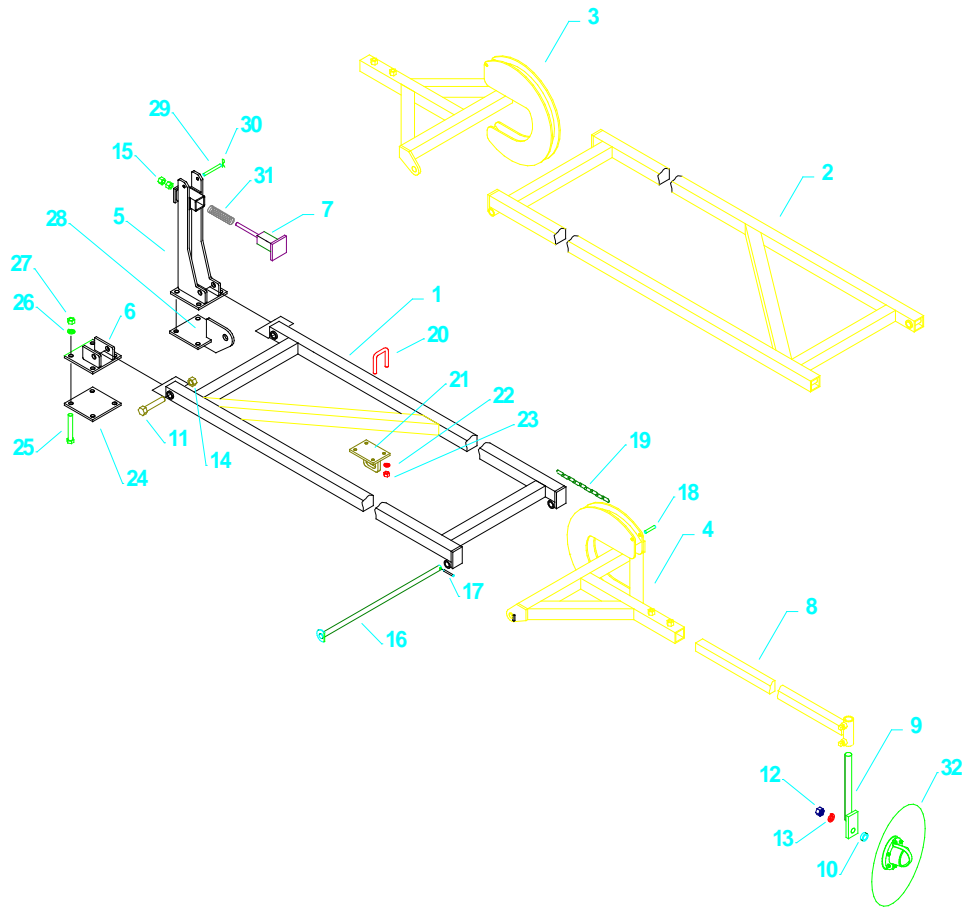


#3571 - 6 Row Marker Package 2003

Ref.	Part No.	Description
1	356928	Stop Flat
2	356953	Right Angle Paint Only
	356952	Left Angle Paint Only
3	095171	Cylinder, 3" x 8" ORB Port
4	356929	Cylinder Spacer Bushing
5	020896	5/8" x 3" Clevis Pin
6	020065	5/8" x 2" Bolt
7	020506	5/8" Lock Washer
8	020406	5/8" Nut
9	021009	5/8" X 4" X 5 1/2" U-bolt
10	356430	Marker Pivot Pin
11	356420	Marker Extension Arm (Long)
12	356950	Right Angle w/cylinder mount '03
	356955	Left Angle w/cylinder mount '03
13	356970	6 Row Marker Arm Right 2003
	356975	6 Row Marker Arm Left 2003
14	356940	Cylinder Pivot Weldment Right
	356925	Cylinder Pivot Weldment Left
15	356440	Marker Disc Mount
16	211663	3/8" Bushing Spacer (Marker)
17	020967	1/4" x 2" Roll Pin
18	020826	3/16" x 1-1/2" Cotter Pin
19	020507	3/4" Lock Washer
20	020407	3/4" Nut
21	211845	Disc with Hub (Double Bearing)
22	211850	Marker Depth Guide Wheel

Ref.	Part No.	Description
1	095171	2" x 8" 3/4" ORB Port Cylinder
2	095169	#8 (3/4") ORB x #6 (9/16") JIC Elbow
3	095167	#8 (3/4") ORB x #6 (9/16") JIC Adapter
4	095166	ORB Elbow Restrictor
5	095165	3/8 Pipe Thread Adapter 37°
6	095170	#6 (9/16") JIC x 1/2 MPT Adapter
7	095012	Male Tip 1/2" Pioneer End
8	095160	#6 (9/16") JIC Tee
9	096048	Sequence Valve

#3575 - 6 Row Bi-Fold Marker

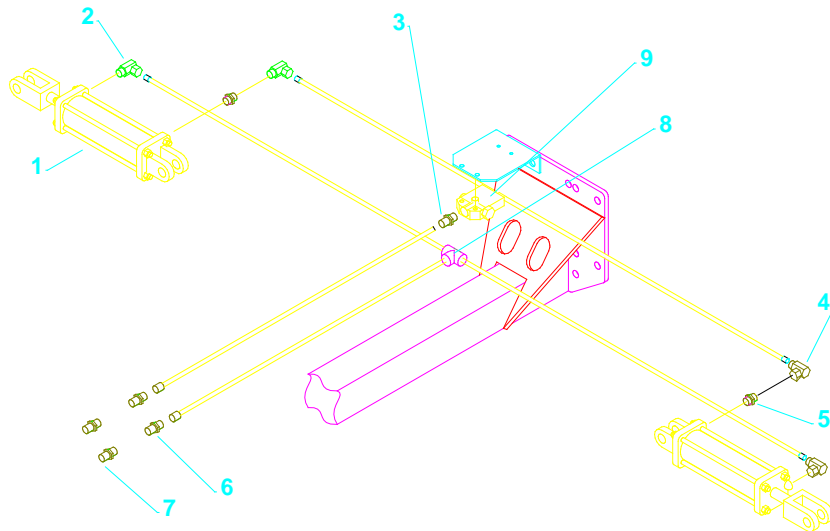
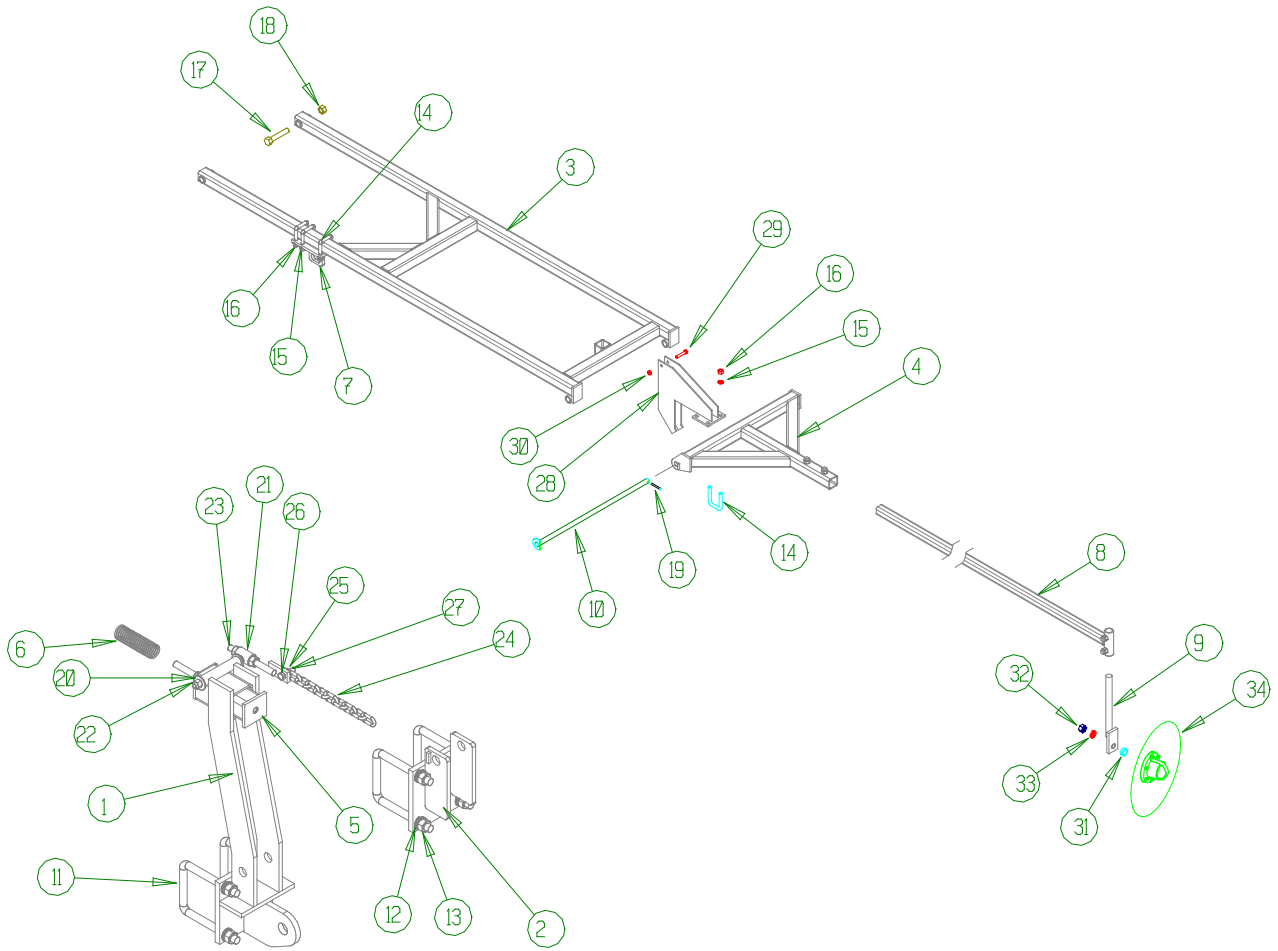


#3575 - 6-Row Marker Package for Planter

Ref.	Part No.	Description
1	368185	Inner Frame Weldment (Right) 6Row 60" Long
2	368195	Inner Frame Weldment (Left) 6 Row 60" Long
3	368160	Bi-Fold Outer Frame - Short Right
4	368170	Bi-Fold Outer Frame - Short Left
5	368120	Bi-Fold Marker Upright Weldment
6	368140	Bi-Fold Marker Pivot Weldment
7	368130	Marker Stop Weldment
8	356420	Marker Extension Arm (Long)
9	356440	Marker Disc Mount
10	211663	3/8" Bushing Spacer
11	020086	3/4" X 4" NC Gr. 5 Bolt
12	020407	3/4" NC Nut
13	020507	3/4" Lock Washer
14	020428	3/4" Center Lock Nut
15	020467	1/2" Jam Nut NC
16	368115	Bi-Fold Pivot Pin Weldment
17	020967	1/4" X 2" Spring Lock Pin Plain
18	020874	3/8" X 2" Clevis Pin
19	368105	Bi-Fold Marker Chain
20	021014	1/2" X 2" X 3 1/2" U-Bolt
21	356130	Marker Cylinder Mount '97
22	020504	1/2" Lock Washer
23	020404	1/2" Nut
24	368145	Pivot Backing Plate
25	020073	5/8" X 6" Bolt
26	020506	5/8" Lock Washer
27	020406	5/8" NC Nut
28	368110	Cylinder Ear Weldment
29	020878	3/8" X 3 1/2" Clevis Pin
30	020912	#3 Bridge Pin 1/8"
31	094016	C-892 Spring - Bi-Fold Marker
32	211845	Disc with Hub (Double Bearing)

Ref.	Part No.	Description
1	095171	2" x 8" 3/4" ORB Port Cylinder
2	095169	#8 (3/4") ORB x #6 (9/16") JIC Elbow
3	095167	#8 (3/4") ORB x #6 (9/16") JIC Adapter
4	095166	ORB Elbow Restrictor
5	095165	3/8 Pipe Thread Adapter 37°
6	095170	#6 (9/16") JIC x 1/2 MPT Adapter
7	095012	Male Tip 1/2" Pioneer End
8	095160	#6 (9/16") JIC Tee
9	096048	Sequence Valve

#3591 - 8 Row Bi-Fold Marker-'04

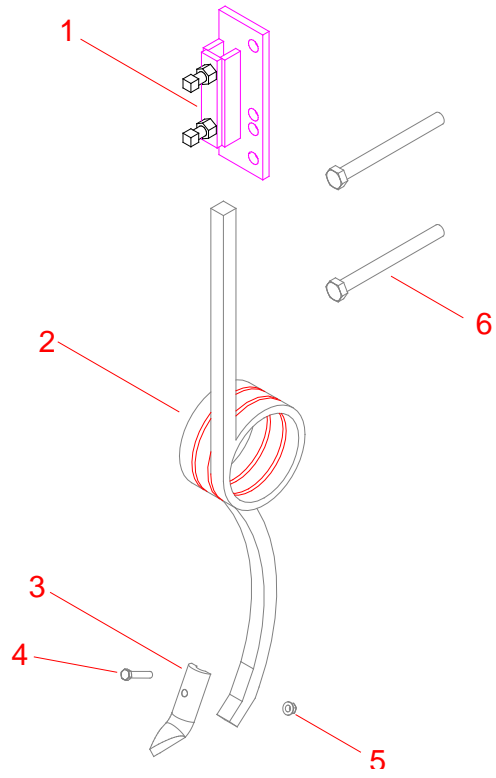


#3591 - 8-Row Bi-Fold Marker Package for Planter (2004)

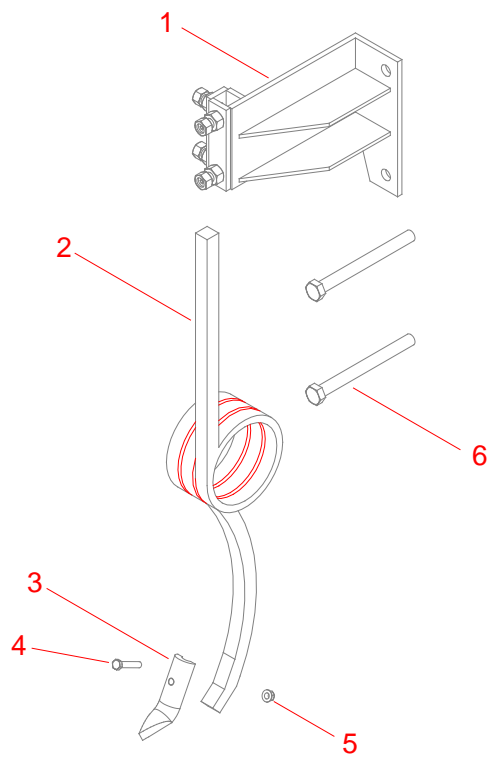
Ref.	Part No.	Description
1	380240	8 Row Upright Weldment Long '04
2	380270	8 Row Upright Weldment Short '04
3	380180	8 Row Inner Frame Weldment '04
4	380280	Bi-Fold Outer Frame Weldment '04
5	380255	Inner Slide Tube Weldment '04
6	094016	C-892 Spring - Bi-Fold Marker
7	356160	8 Row Marker Cylinder Mount '04
8	356420	Marker Extension Arm (Long)
9	356440	Marker Disc Mount
10	368115	Bi-Fold Pivot Pin Weldment
11	021009	5/8" X 4" X 5 1/2" U-Bolt
12	020506	5/8" Lock Washer
13	020406	5/8" NC Nut
14	021000	1/2" X 2" X 3" U-Bolt
15	020504	1/2" Lock Washer
16	020404	1/2" Nut
17	020086	3/4" X 4" NC Gr. 5 Bolt
18	020428	3/4" Center Lock Nut
19	020967	1/4" X 2" Spring Lock Pin Plain
20	020514	7/16" Flat Washer
21	380250	Marker Pivot Weldment
22	020424	7/16" Center Lock Nut
23	380265	Chain Adjustment Weldment
24	368105	Bi-Fold Marker Chain
25	020513	3/8" Flat Washer
26	020120	3/8" x 1-1/4" NC Grade 5 Bolt
27	020402	3/8" Hex Nut
28	380260	8 Row Cam Weldment '04
29	020031	3/8" x 2" Grade 5 Bolt
30	020423	3/8" Center Lock Nut
31	211663	3/8" Bushing Spacer
32	020407	3/4" NC Nut
33	020507	3/4" Lock Washer
34	211845	Disc with Hub (Double Bearing)

Ref.	Part No.	Description
1	095171	2" x 8" 3/4" ORB Port Cylinder
2	095169	#8 (3/4") ORB x #6 (9/16") JIC Elbow
3	095167	#8 (3/4") ORB x #6 (9/16") JIC Adapter
4	095166	ORB Elbow Restrictor
5	095165	3/8 Pipe Thread Adapter 37°
6	095170	#6 (9/16") JIC x 1/2 MPT Adapter
7	095012	Male Tip 1/2" Pioneer End
8	095160	#6 (9/16") JIC Tee
9	096048	Sequence Valve

#223400 - 1" Coil Shank



401040 - Coil Shank Package



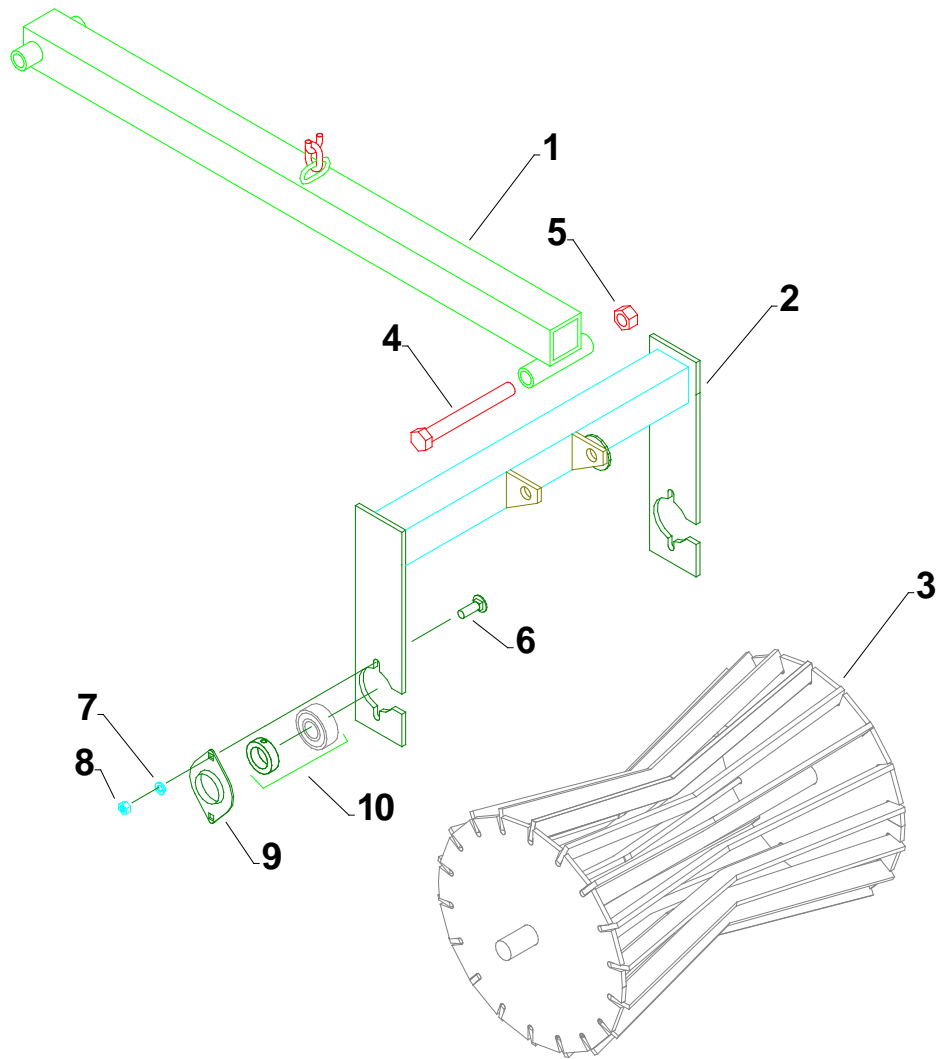
#223400 - 1" Coil Shank Assembly

Ref.	Part No.	Description
1	096153	1" Coil Shank
2	223410	1" Coil Shank Clamp
3	090108	Alloy Point with Rubber
4	020031	3/8" X 2" Bolt
5	020471	3/8" Flange Nut
6	020091	3/4" X 7-1/2" Bolt

#401040 – Coil Shank Package (1Row)

Ref.	Part No.	Description
1	401050	1" Coil Shank Clamp
2	096153	1" Coil Shank
3	090108	Alloy Point with Rubber
4	020031	3/8" X 2" Bolt
5	020471	3/8" Flange Nut
6	020091	3/4" X 7-1/2" Bolt

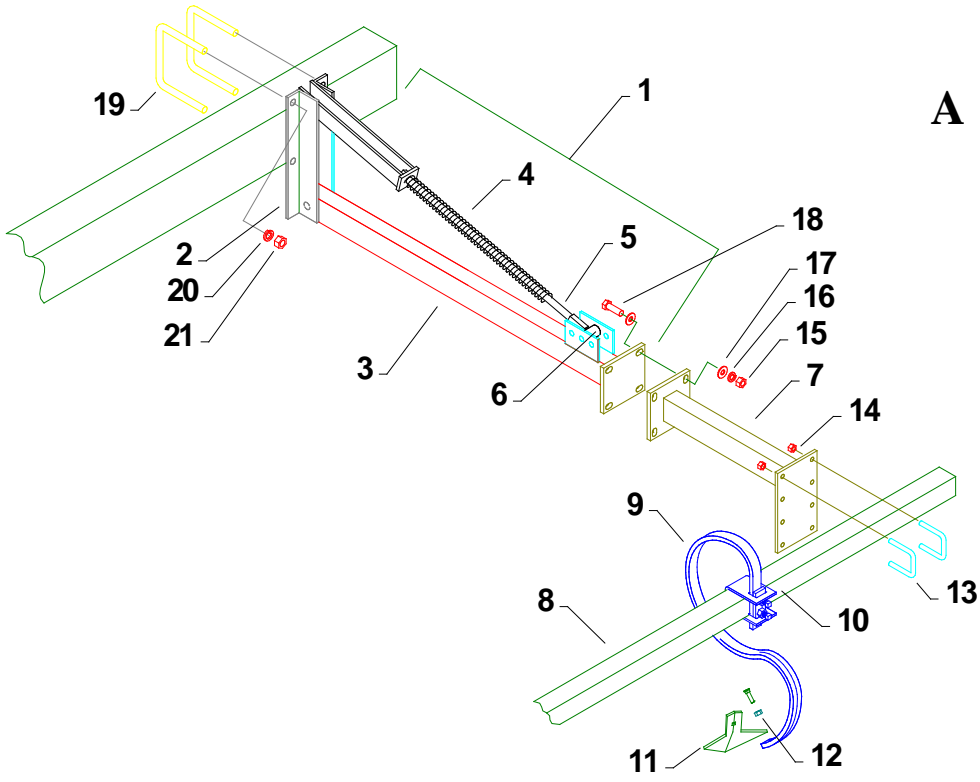
#3510 - Packer Wheel Assembly



#3510 - Packer Wheel Assembly
#357100 - Packer Wheel Assembly-(without Mount Arm)

Ref. Part No.	Description
1 357200	Packer Mount Arm
2 357120	Packer Wheel Frame
3 357110	Packer Wheel Weldment
4 020072	5/8" X 5 1/2" Bolt
5 020427	5/8" Lock Nut
6 020757	5/16" X 1" Carriage Bolt
7 020504	5/16" Lock Washer
8 020401	5/16" Nut
9 096096	1" Flangette F2-52
10 095043	1" Self Align Bearing Sealed

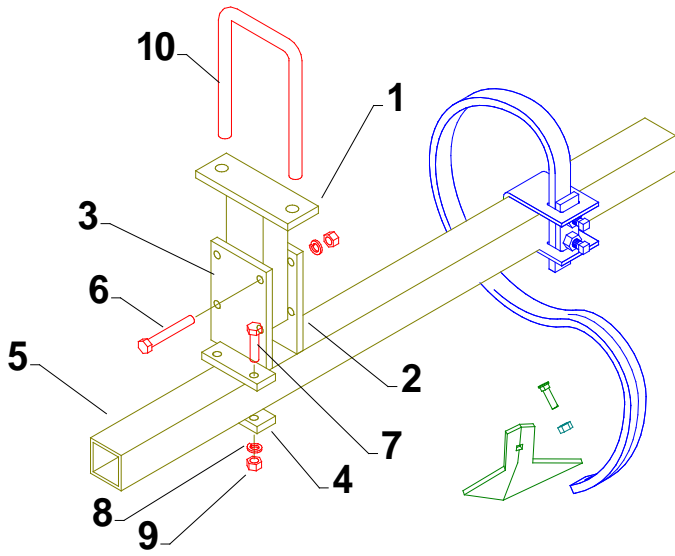
Rear Ripper



A

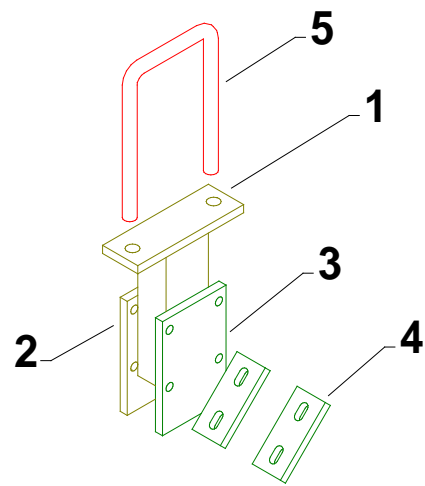
Drop Tube Ripper

B



C

45° Ripper



Ripper Assemblies

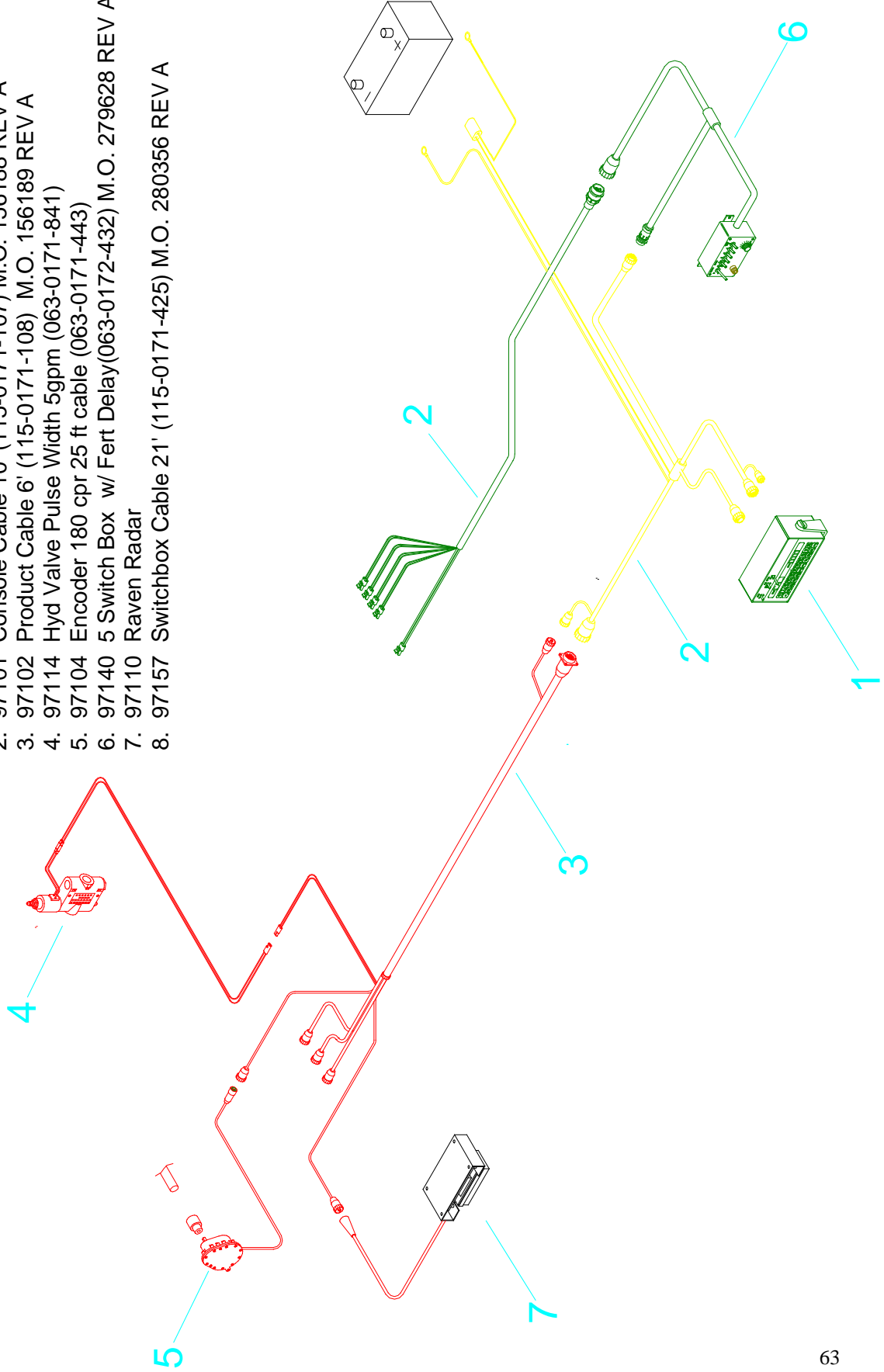
Ref.	Part No.	Description
1	355430	Ripper Arm Sub Assembly 1998 - 48" long
2	355450	Ripper Angle Weldment
3	355390	Ripper Arm Weldment 48" long
4	501051	Compression Spring
5	501050	Linkage Adjustment Bolt
6	355447	Coupler Weldment
7	355410	19" Ripper Extension
	355400	11" Ripper Extension
8	355426	Rear Ripper Cross Tube 24 ft. A
9	212115	Vertical S-Tine 2003
10	201035	Vertical Clamp 2003
11	212500	7" Shovels
12	213800	S-Tine Shovel Bolt Gr. 8
13	021038	1/2" x 2 1/2" x 3 1/4" U-Bolt
14	020505	1/2" Flange Nut
15	020406	5/8" Nut
16	020506	5/8" Lock Washer
17	020536	5/8" Flat Washer
18	020065	5/8" x 2" Bolt
19	021018	3/4" x 7" x 6 1/2" U-Bolt
20	020507	3/4" Lock Washer
21	020407	3/4" Nut

Ref.	Part No.	Description
1	355475	Drop Tube Weldment
2	355478	Drop Tube Backing Plate
3	355470	Lower Bar Mount Weldment
4	355479	Backing Plate (2 1/2" Tube)
5	355426	Rear Ripper Cross Tube 24 ft. B
6	020057	1/2" x 3 1/2" Bolt
7	020059	1/2" x 4 1/2" Bolt
8	020504	1/2" Lock Washer
9	020404	1/2" Nut

Ref.	Part No.	Description
1	355475	Drop Tube Weldment
2	355478	Drop Tube Backing Plate
3	355490	Lower Bar Mount Weldment 45°
4	355495	Backing Plate 45° Painted C

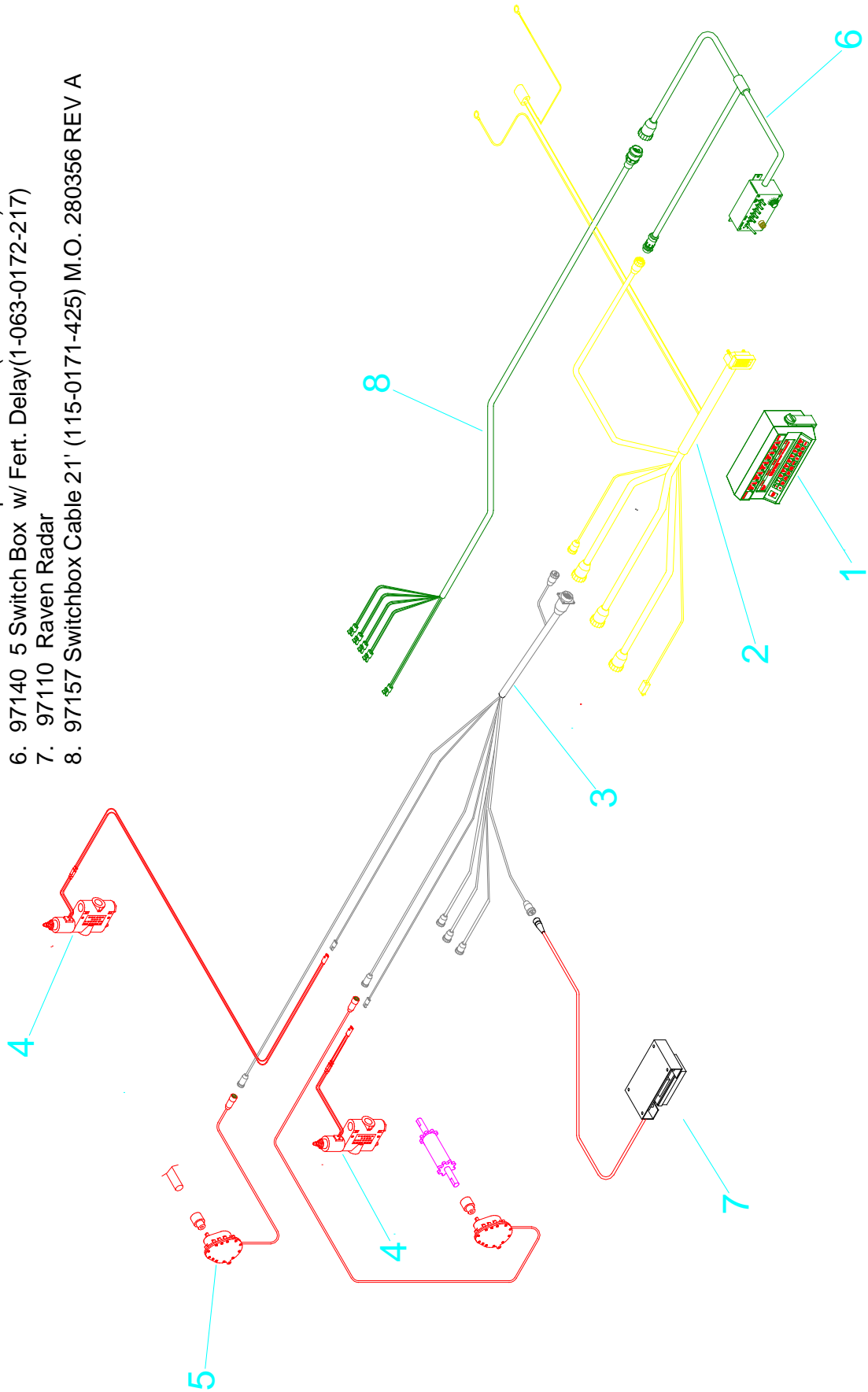
Raven 662

1. 97100 SCS 662 Console (063-0171-804)
2. 97101 Console Cable 10' (115-0171-107) M.O. 156188 REV A
3. 97102 Product Cable 6' (115-0171-108) M.O. 156189 REV A
4. 97114 Hyd Valve Pulse Width 5gpm (063-0171-841)
5. 97104 Encoder 180 cpr 25 ft cable (063-0171-443)
6. 97140 5 Switch Box w/ Fert Delay(063-0172-432) M.O. 279628 REV A
7. 97110 Raven Radar
8. 97157 Switchbox Cable 21' (115-0171-425) M.O. 280356 REV A



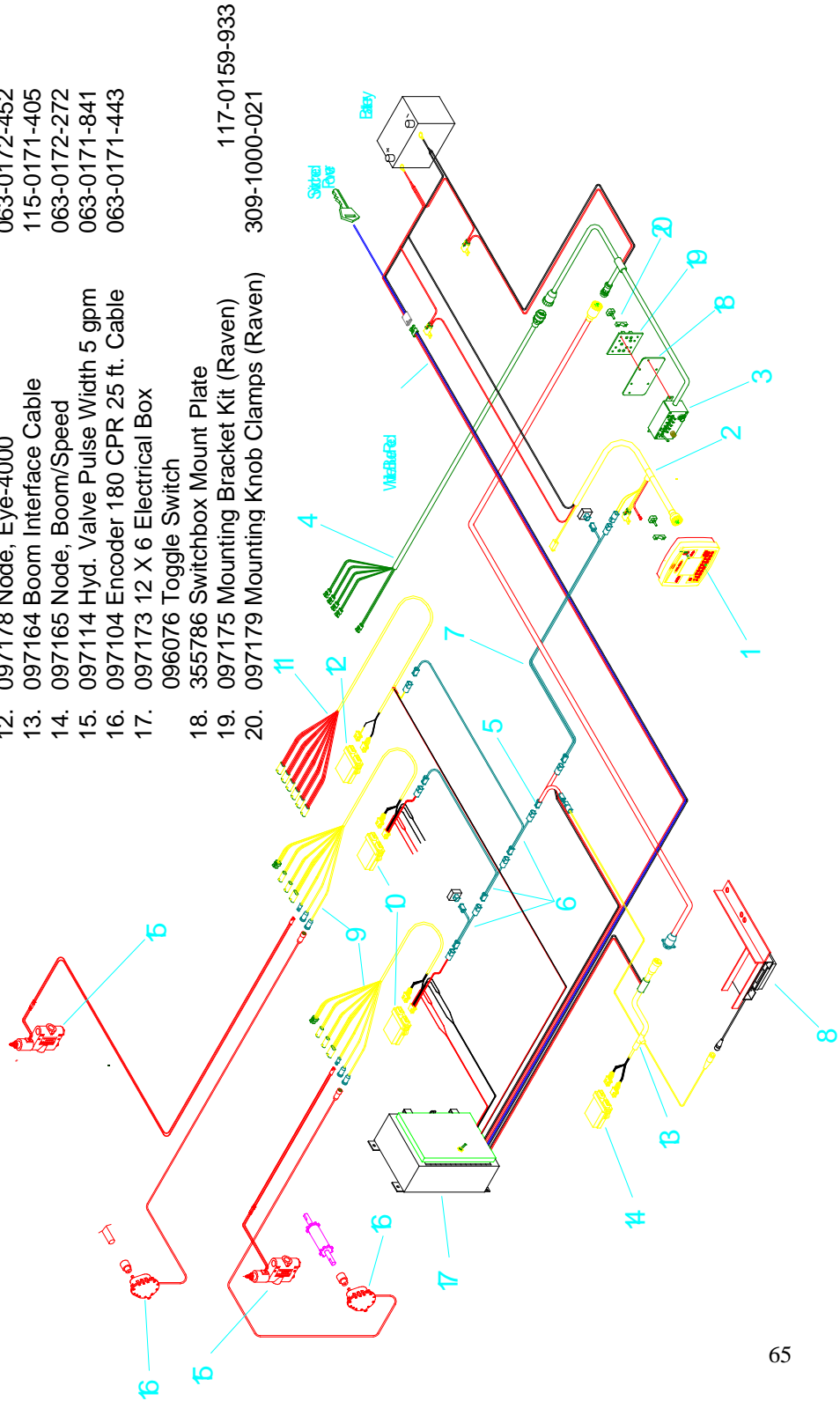
Raven 760

1. 97106 SCS 760 Console (063-0171-837)
2. 97107 Cable Console Harriston 760 (115-0171-120) M.O. 156194 rev ?
3. 97108 Cable Product Harriston 760 (115-0171-121) M.O. 156195 rev ?
4. 97114 Hyd Valve Pulse Width 5gpm (063-0171-841)
5. 97104 Encoder 180 cpr 25 ft cable (063-0171-443)
6. 97140 5 Switch Box w/ Fert. Delay(1-063-0172-217)
7. 97110 Raven Radar
8. 97157 Switchbox Cable 21' (115-0171-425) M.O. 280356 REV A

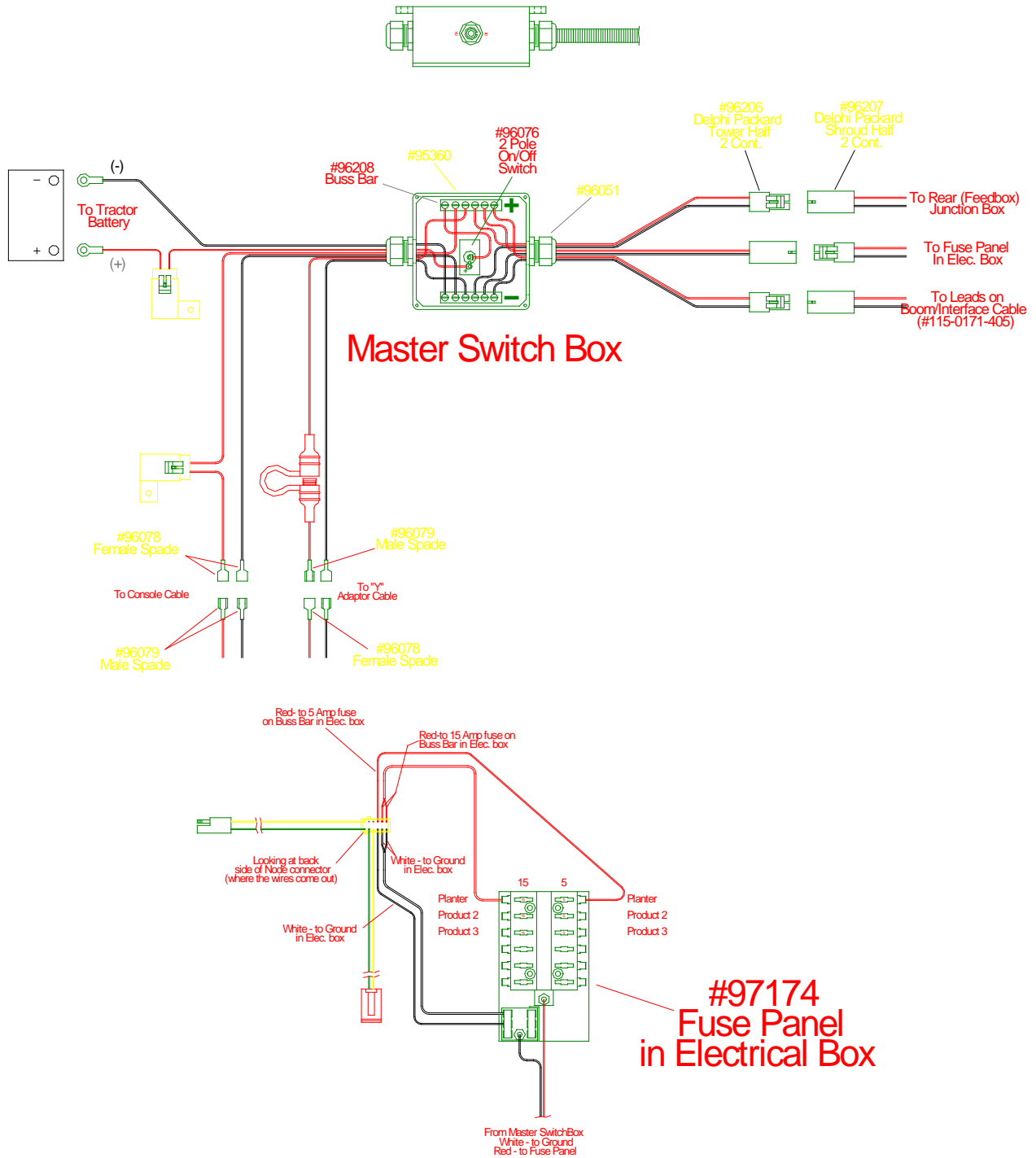


Raven 4000

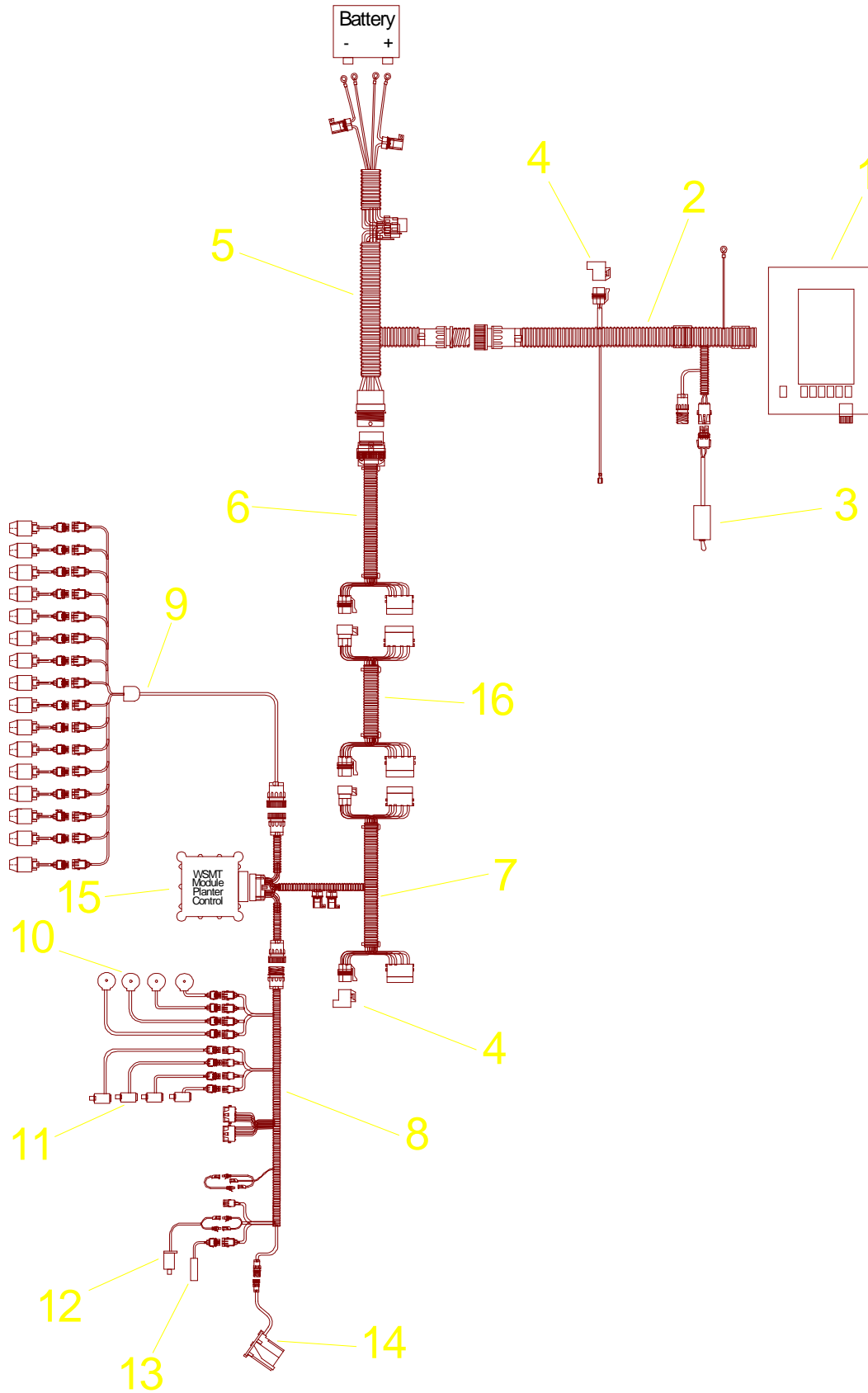
- | | |
|-------------------------------------|---------------------------------|
| 097160 SCS 4000 Console | 063-0172-320 |
| 097161 3' Console Cable | 115-0171-334 |
| 097140 5 Switch Box w/ Fert. Delay | 1-063-0172-217 |
| 097157 Switchbox Cable 21' | 115-0171-425 M.O. 280356 Rev. A |
| 097162 CAN Power w/ Terminators Kit | 117-0159-923 |
| 097163 6" CAN Cable Adaptor Tee | 115-0171-364 |
| 097166 24' CAN Cable Adaptor Tee | 115-0171-363 |
| 097110 Raven Radar | 063-0172-143 |
| 097168 Control Cable | 115-0171-381 |
| 097167 Product CAN Control Node | 063-0172-373 |
| 097177 Seed Sensor Cable | 1-115-0171-475 |
| 097178 Node, Eye-4000 | 063-0172-452 |
| 097164 Boom Interface Cable | 115-0171-405 |
| 097165 Node, Boom/Speed | 063-0172-272 |
| 097114 Hyd. Valve Pulse Width 5 gpm | 063-0171-841 |
| 097104 Encoder 180 CPR 25 ft. Cable | 063-0171-443 |
| 097173 12 X 6 Electrical Box | |
| 096076 Toggle Switch | |
| 355786 Switchbox Mount Plate | 117-0159-933 |
| 097175 Mounting Bracket Kit (Raven) | |
| 097179 Mounting Knob Clamps (Raven) | 309-1000-021 |



Raven 4000 Master Switchbox (In Cab) Electrical Box Fuse Panel (On Planter)



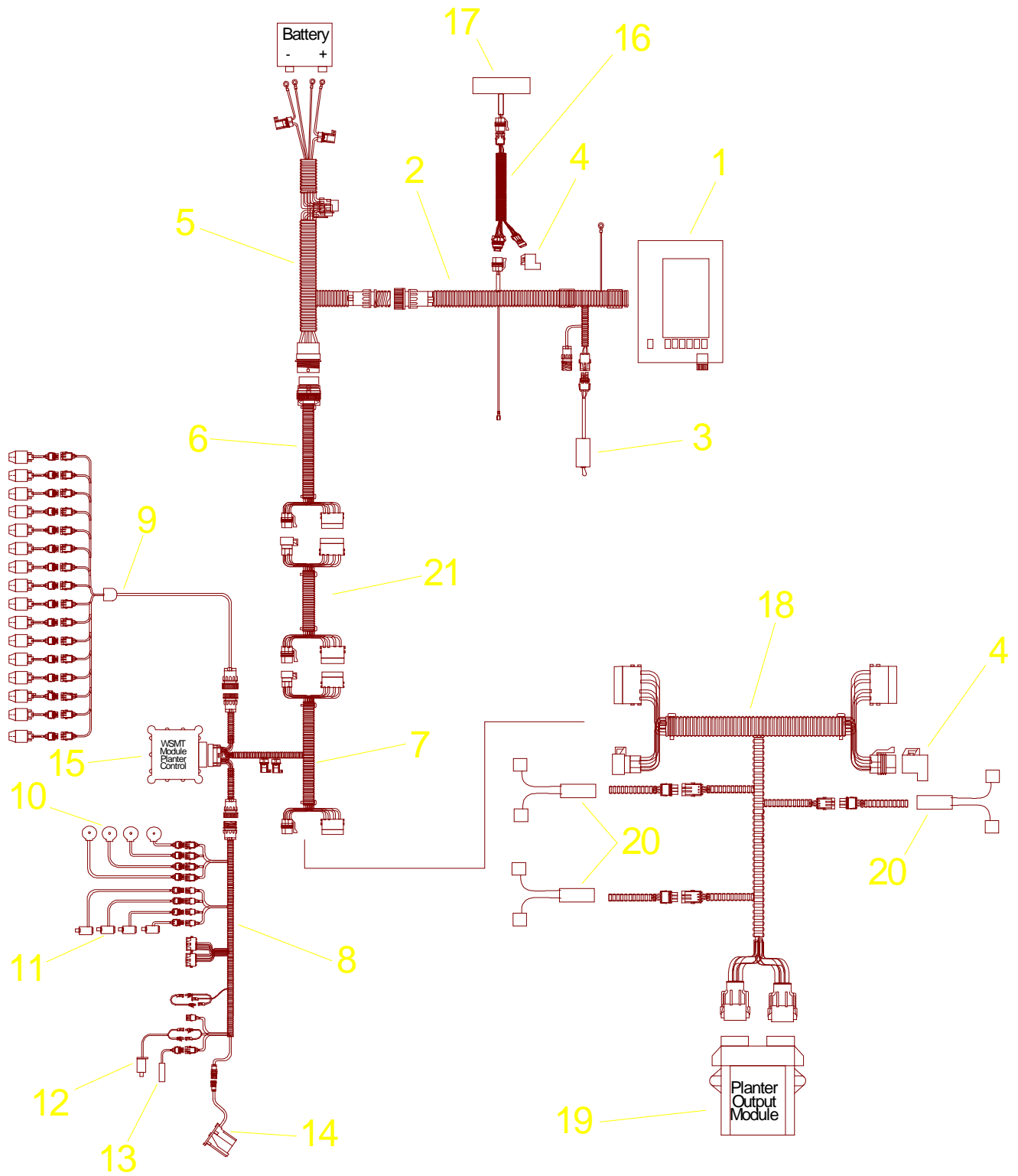
Dickey-john Wiring Harness (With Single Feed Box Switch)



Dickey-john Wiring Harness (With Single Feed Box Switch)

Ref.	Part No.	Description
1	097210	Dickey-john IntelliAg Color Console (DJ #467980501)
	097211	IntelliAg Mounting Kit
2	097213	IntelliAg Console Harness (DJ #467980452)
3	097212	IntelliAg Master Switch (DJ #467980124)
4	097215	IntelliAg CAN Terminator (DJ #467980126)
5	097214	IntelliAg Power Harness (DJ #467980450)
6	097216	IntelliAg Implement Harness – 10' (DJ #467980132)
	097217	IntelliAg Implement Harness – 20' (DJ #467980131)
7	097218	IntelliAg Master Module Harness (DJ #467980150)
8	097221	IntelliAg Master Module Actuator Harness (DJ #467980160)
9	097054	4 Row Dickey-john Wire Harness
	097055	6 Row Dickey-john Wire Harness
	097056	8 Row Dickey-john Wire Harness
	097052	Dickey John Sensor Package Eyes
10	097232	Dickey-john Encoder (DJ #464360172S1)
11	097233	4 GPM Hydraulic Valve (DJ #467092004S1)
12	097235	Implement Lift Switch (Optional) (DJ #463720150S1)
13	097230	Dickey-john Shaft RPM Sensor (DJ #466970014S1)
14	097228	Dickey-john Radar (DJ #RVS III)
	097229	Dickey-john GPS Speed Sensor (Optional) (DJ #467832000S1)
15	097220	IntelliAg Master Module (DJ #467980113S1)
16	097222	IntelliAg Implement Extension Harness – 5' (DJ #467980142)

Dickey-john Wiring Harness (With Paired Feed Box Switchbox)

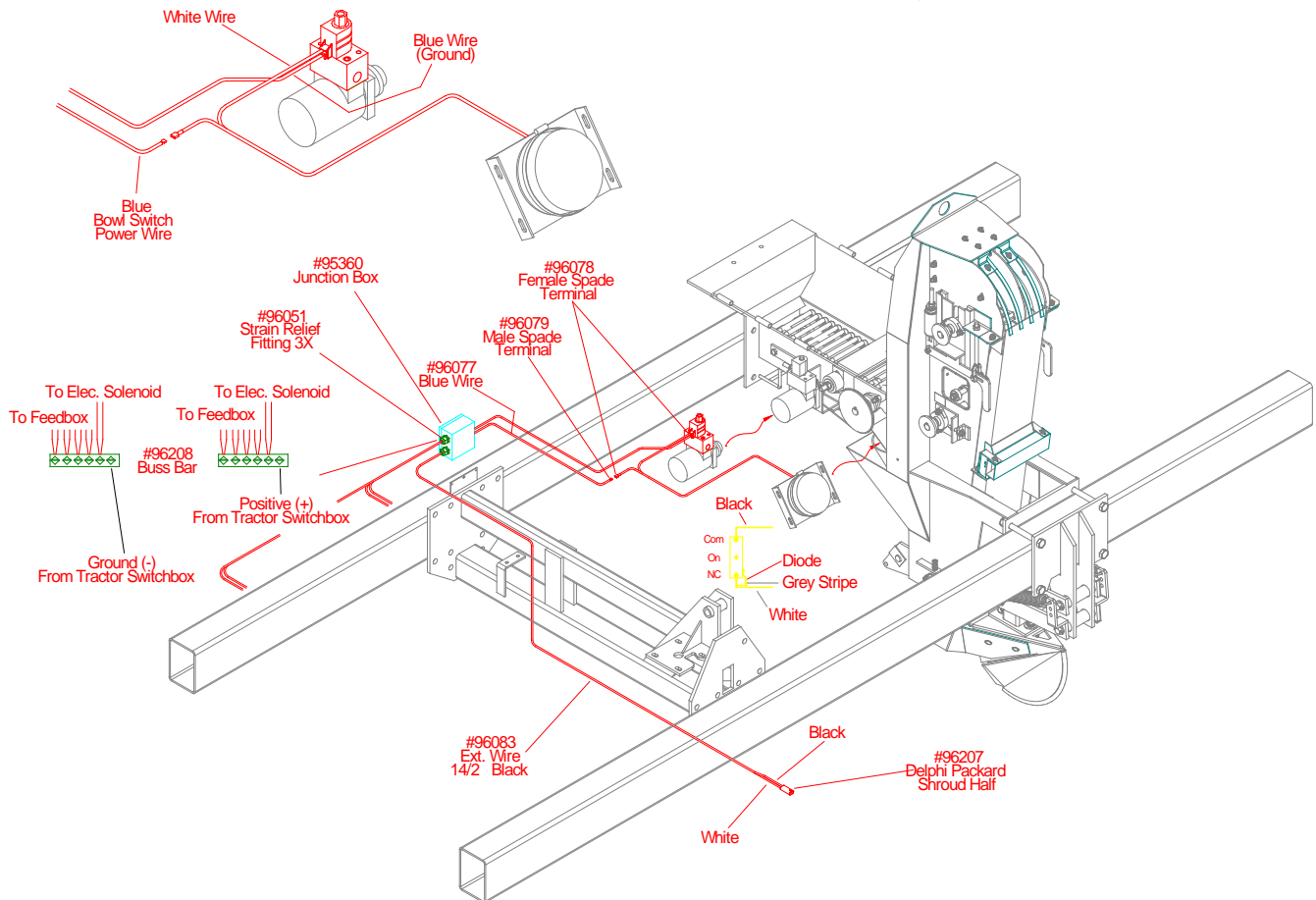


Dickey-john Wiring Harness (With Paired Feed Box Switchbox)

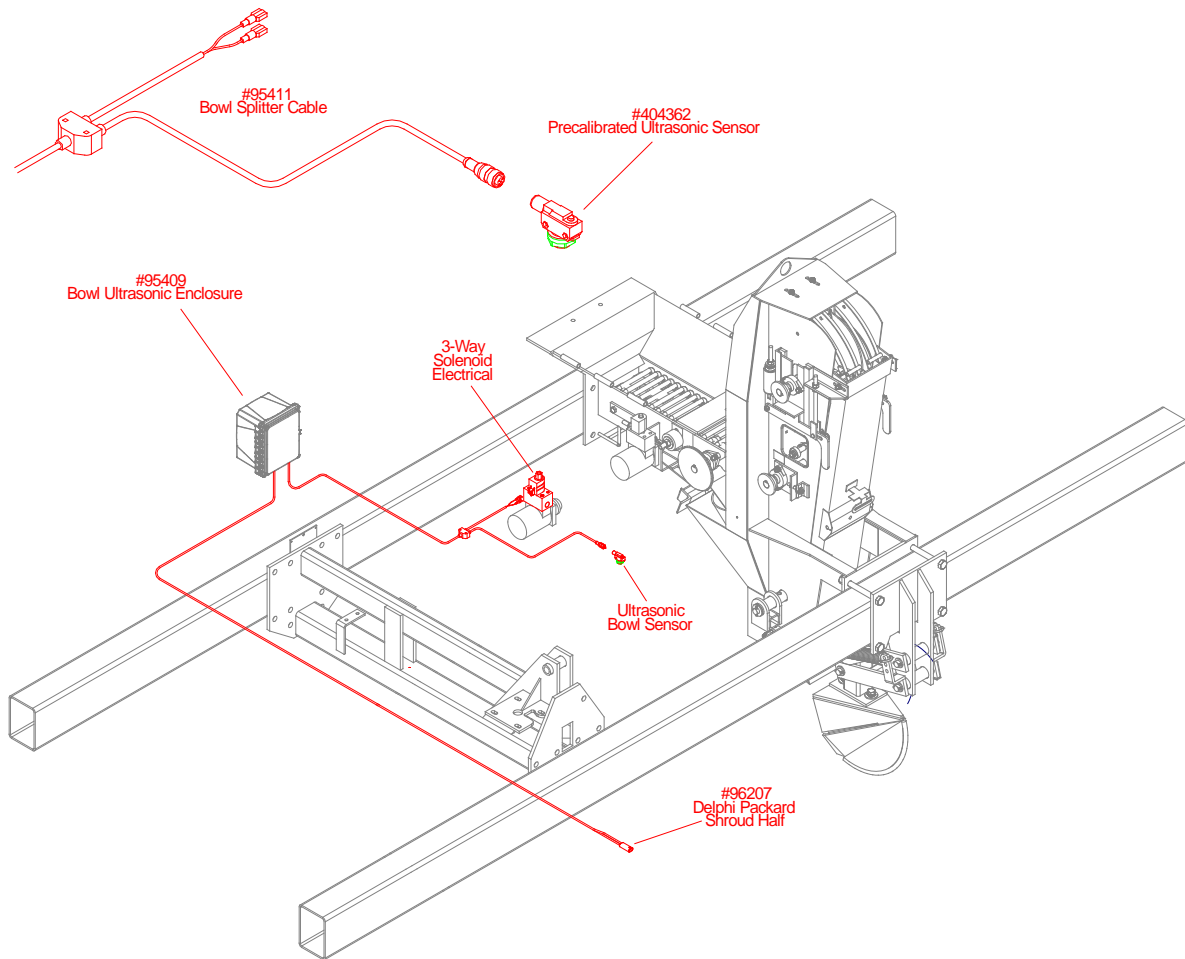
Ref.	Part No.	Description
1	097210	Dickey-john IntelliAg Color Console (DJ #467980501)
	097211	IntelliAg Mounting Kit
2	097213	IntelliAg Console Harness (DJ #467980452)
3	097212	IntelliAg Master Switch (DJ #467980124)
4	097215	IntelliAg CAN Terminator (DJ #467980126)
5	097214	IntelliAg Power Harness (DJ #467980450)
6	097216	IntelliAg Implement Harness – 10' (DJ #467980132)
	097217	IntelliAg Implement Harness – 20' (DJ #467980131)
7	097218	IntelliAg Master Module Harness (DJ #467980150)
8	097221	IntelliAg Master Module Actuator Harness (DJ #467980160)
9	097054	4 Row Dickey-john Wire Harness
	097055	6 Row Dickey-john Wire Harness
	097056	8 Row Dickey-john Wire Harness
	097052	Dickey John Sensor Package Eyes
10	097232	Dickey-john Encoder (DJ #464360172S1)
11	097233	4 GPM Hydraulic Valve (DJ #467092004S1)
12	097235	Implement Lift Switch (Optional) (DJ #463720150S1)
13	097230	Dickey-john Shaft RPM Sensor (DJ #466970014S1)
14	097228	Dickey-john Radar (DJ #RVS III)
	097229	Dickey-john GPS Speed Sensor (Optional) (DJ #467832000S1)
15	097220	IntelliAg Master Module (DJ #467980113S1)
16	097226	IntelliAg Feed Box Switchbox Harness (DJ #467980330)
17	097227	IntelliAg Feed Box Paired Switchbox (DJ #467984215S1)
18	097223	IntelliAg Member Module Harness (DJ #467983501)
19	097225	IntelliAg Member Module (DJ #467982000S1)
20	097224	IntelliAg SOL Driver (DJ #464820510S1)
21	097222	IntelliAg Implement Extension Harness – 5' (DJ #467980142)

Feed Chain Electrical System

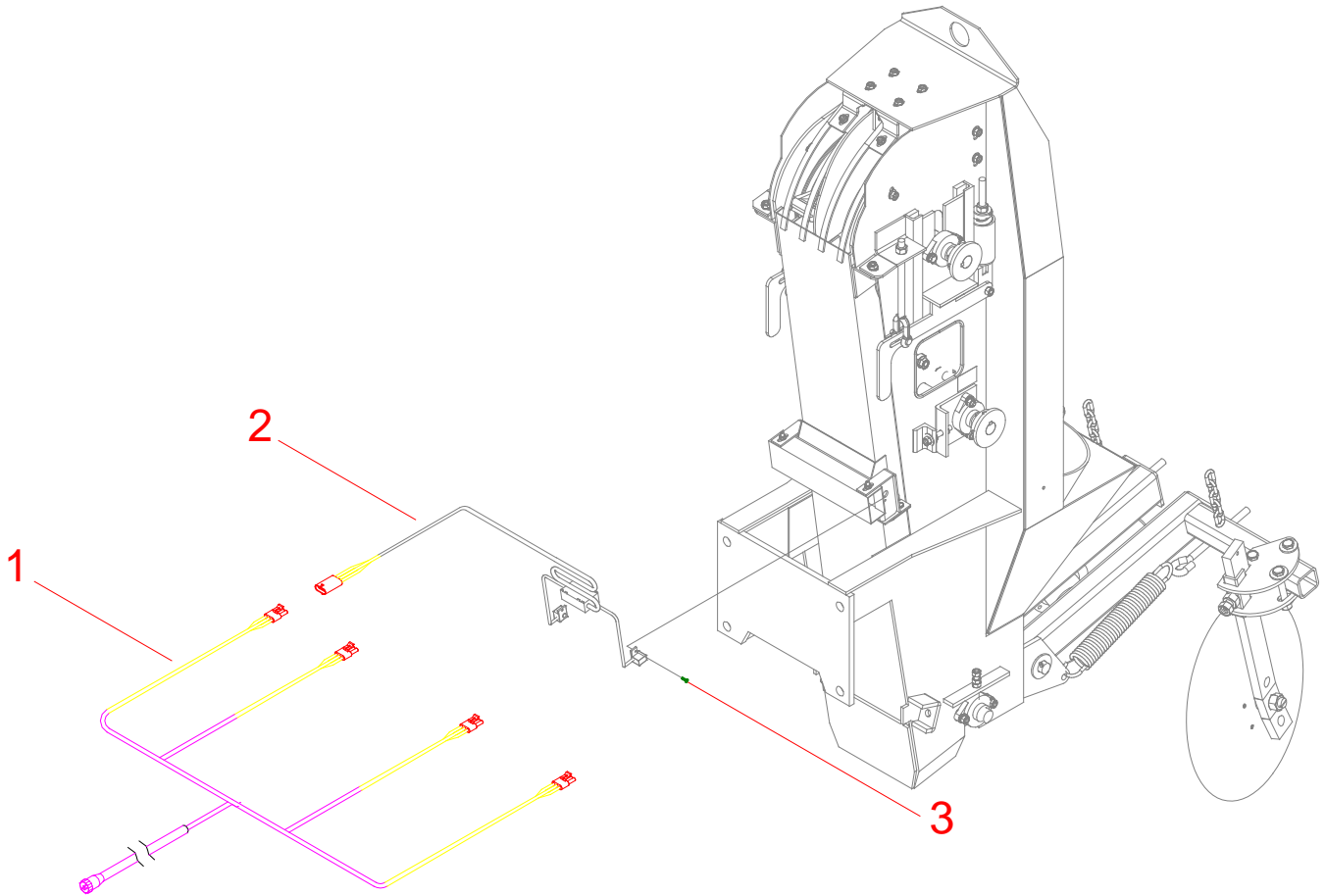
Feed Chain Electrical System



Feed Chain Electrical System - Ultrasonic



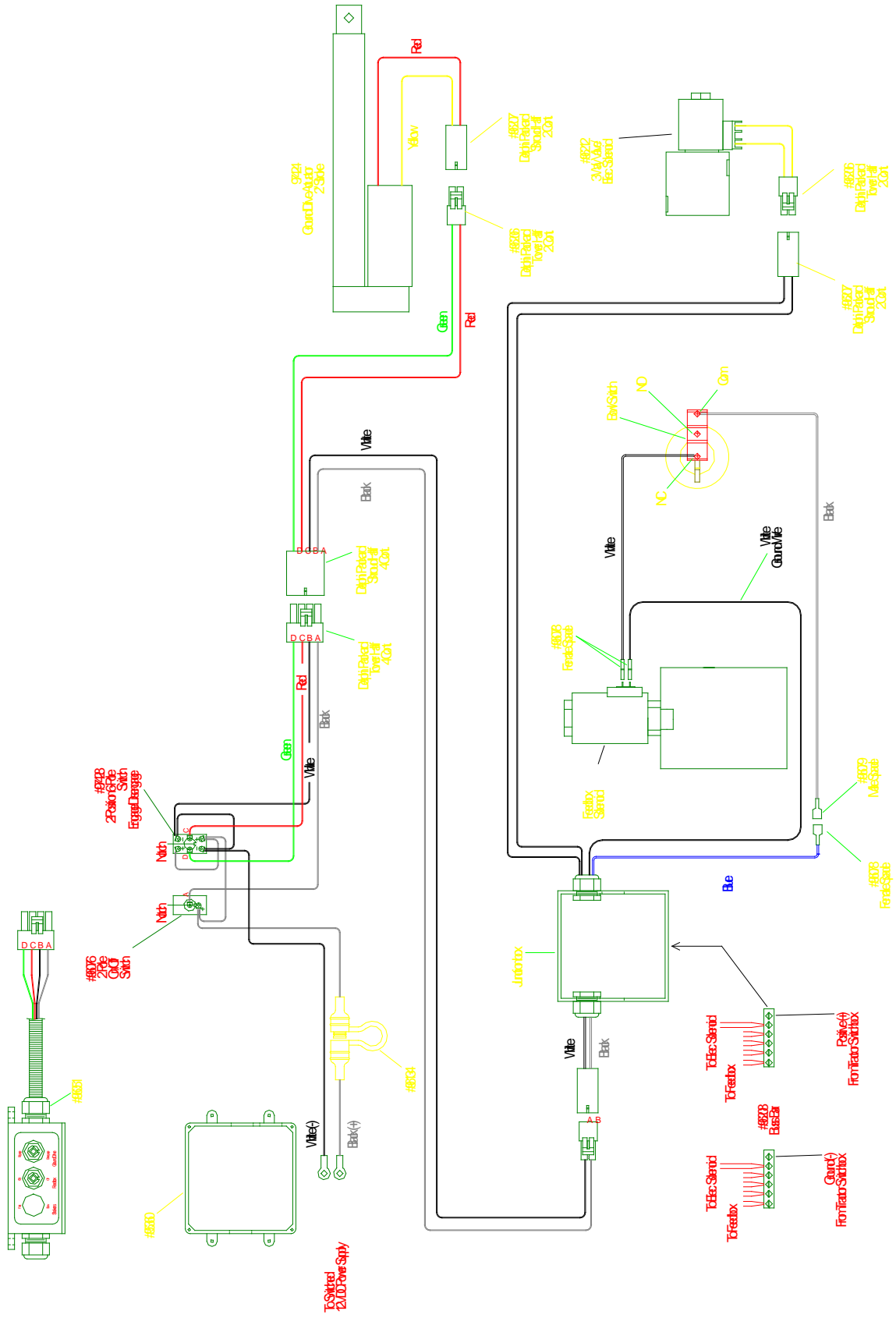
Seed Sensor



#400050 4 Row Package
#400051 6 Row Package
#400052 8 Row Package

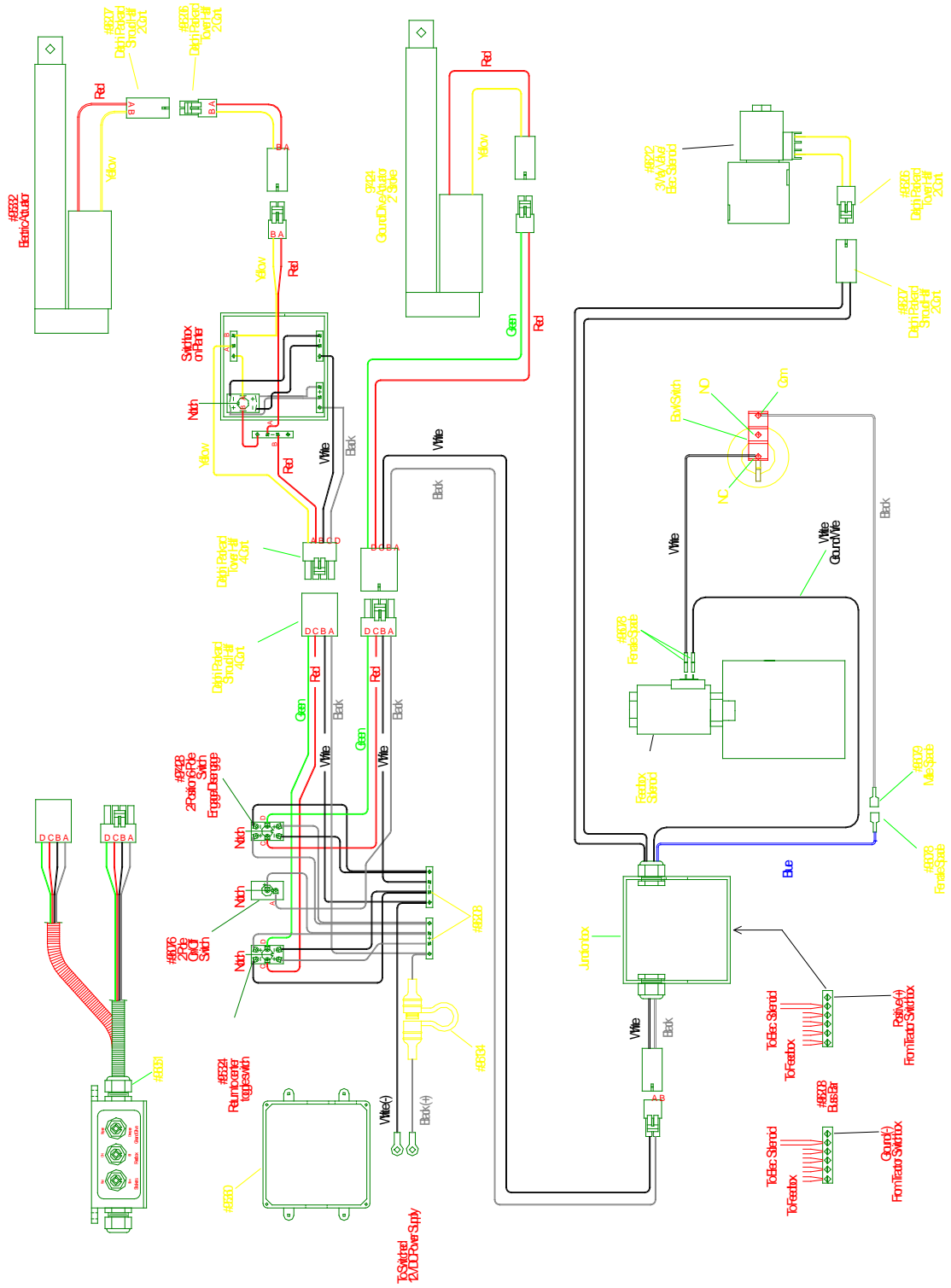
Ref.	Part No.	Description
1	097094	Cable Harriston W/DJ Sensor
NS	097098	12' Cable Extension
2	097052	Dickey John Sensor Package
3	020270	8 X 1/2" Self-Tapped Screw

Ground Drive Electrical

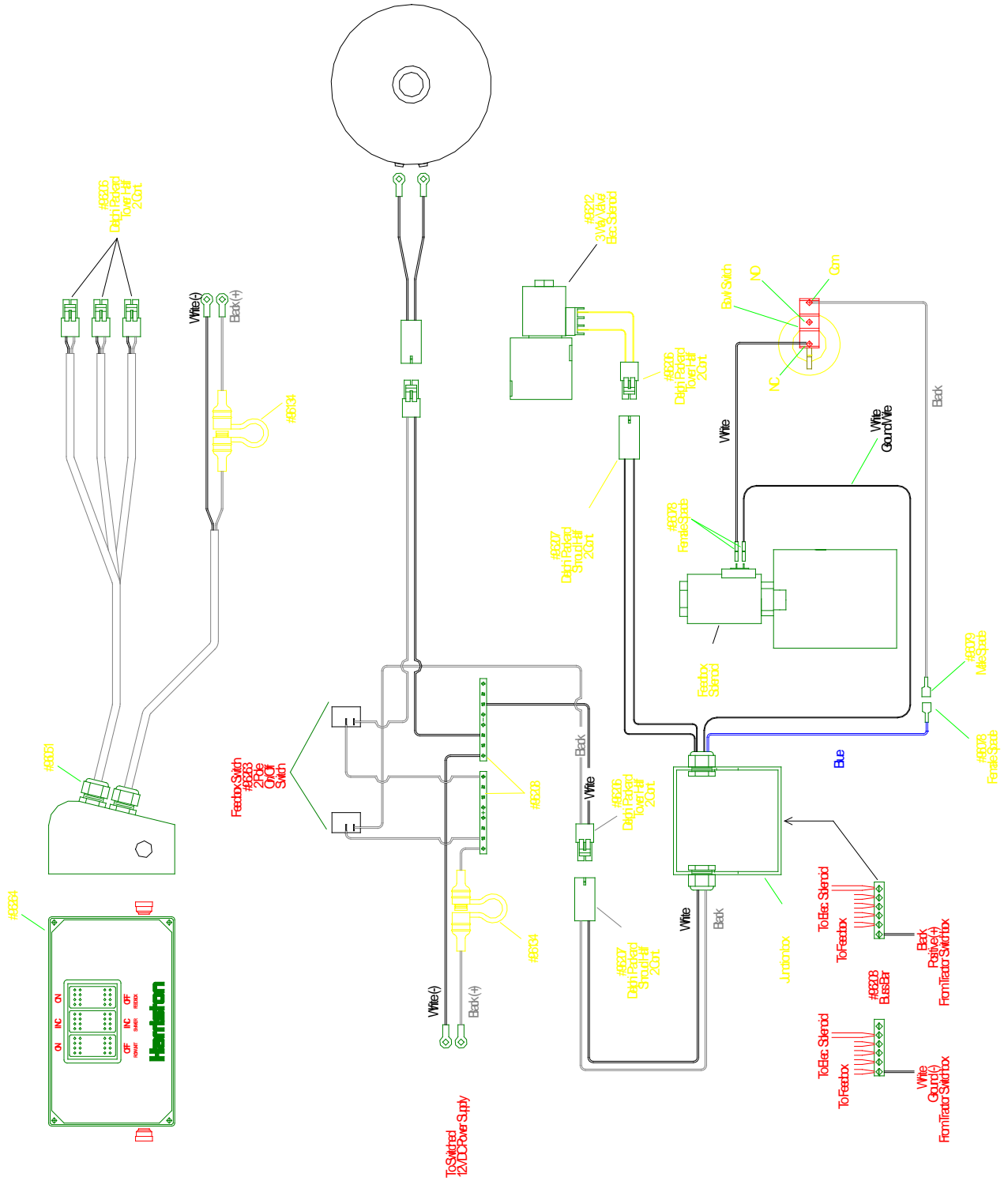


Ground Drive Electrical

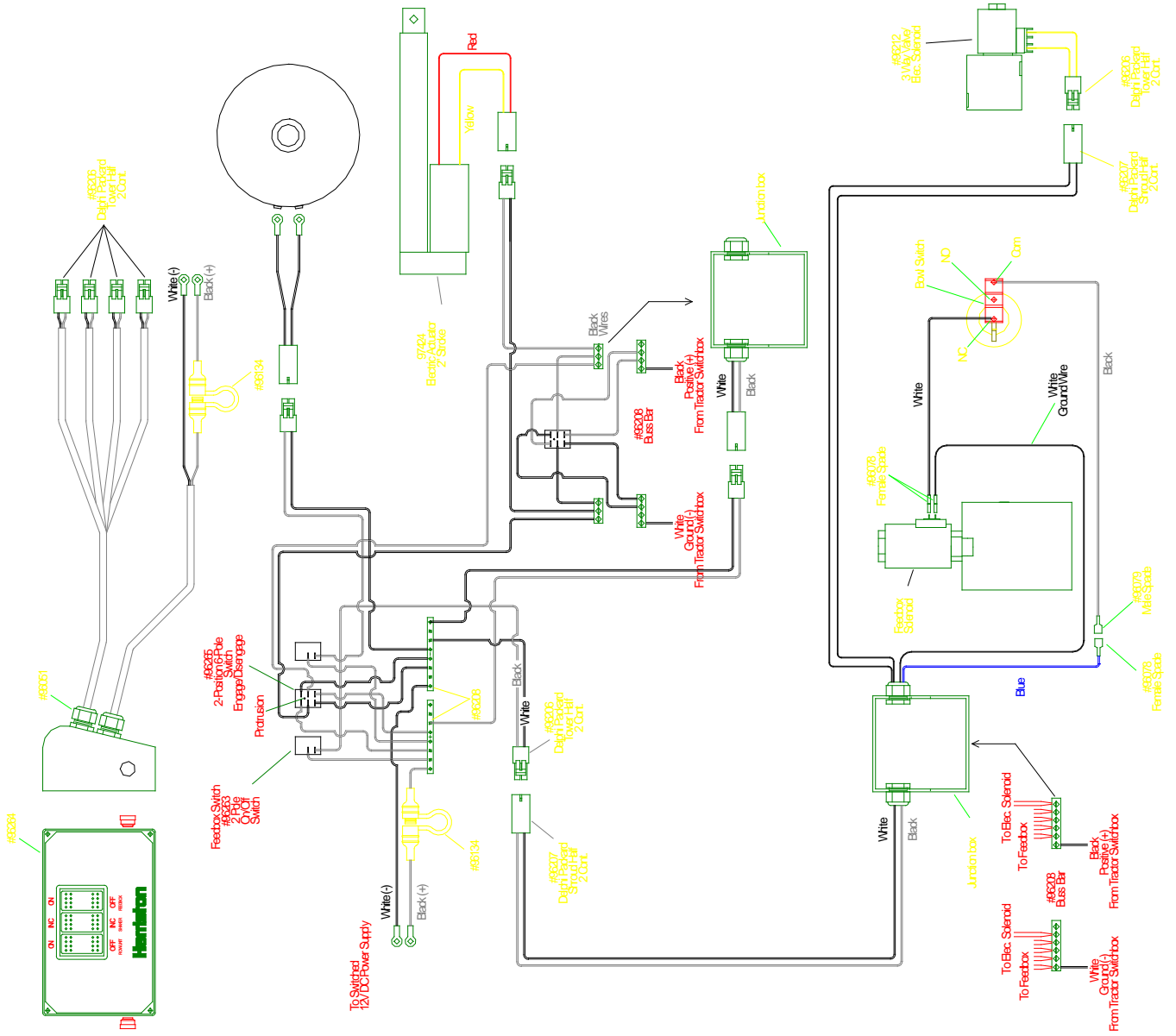
With Remote Shaker Control



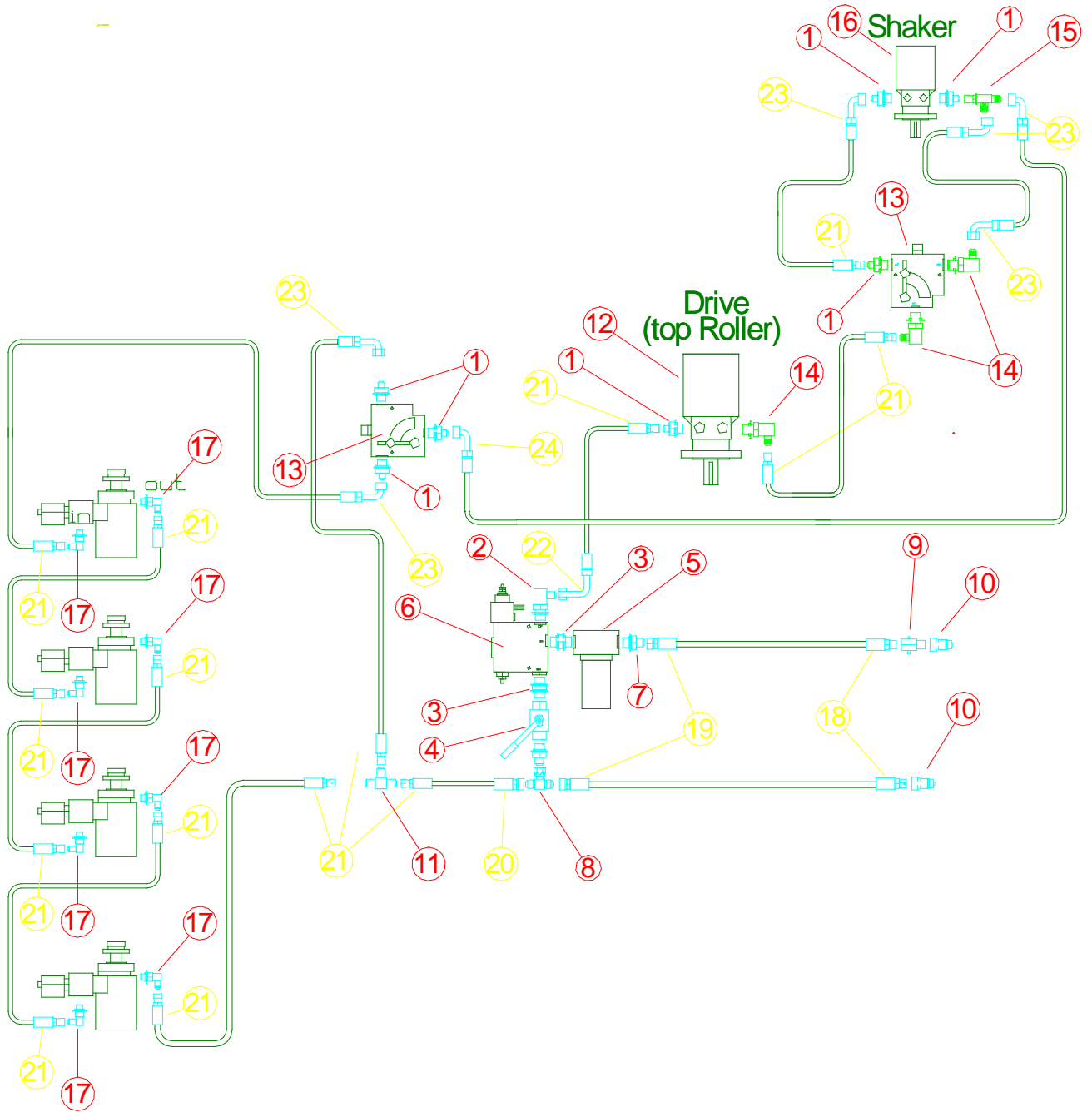
Ground Drive Electrical Model Years 2008-2009



Ground Drive Electrical With Remote Shaker Control Model Years 2008-2009



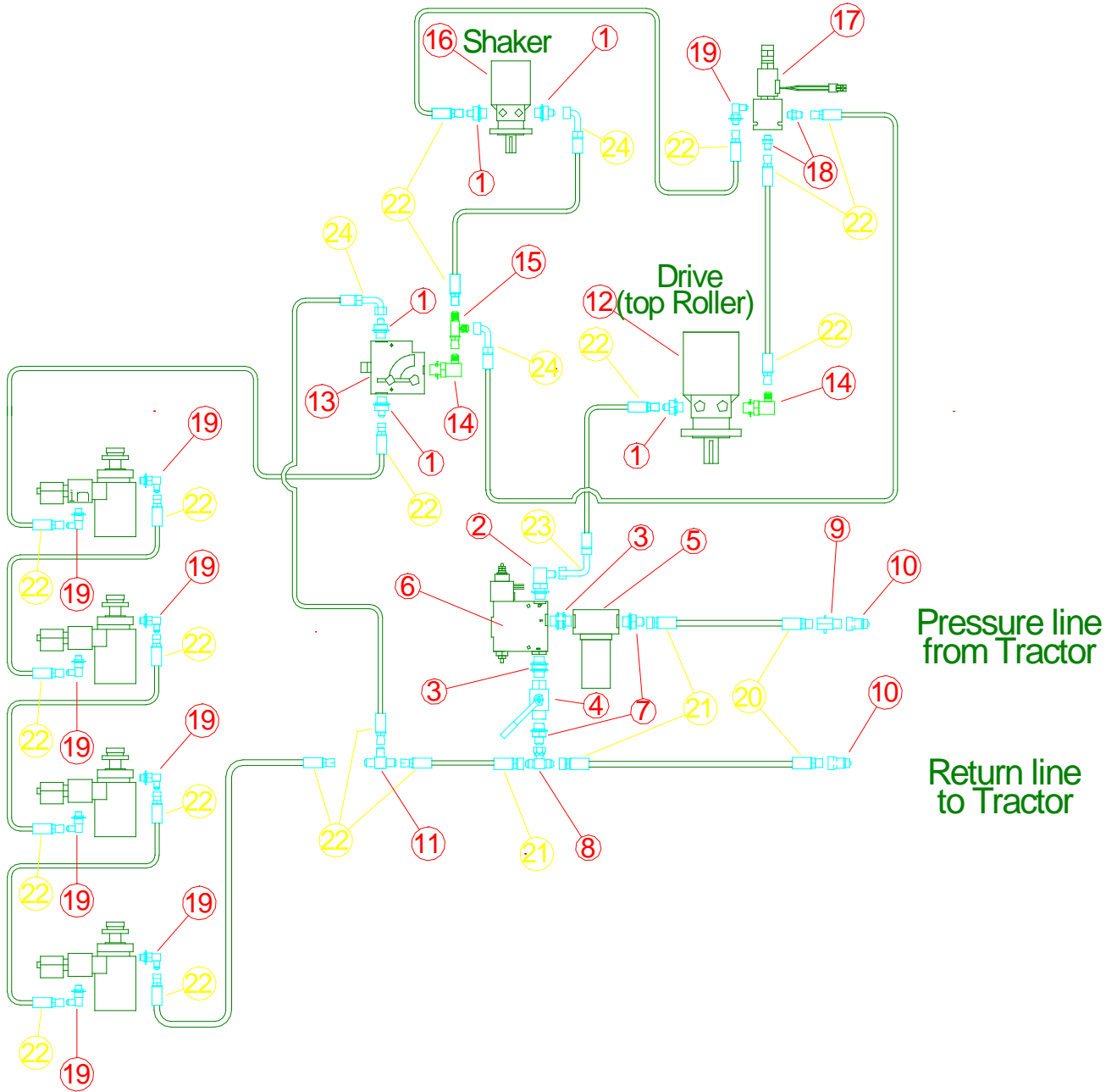
#400001 - Raven 662 Hydraulics



#400001 - Raven 662 Hydraulics

Ref.	Part No.	Description
1	095185	#10 (7/8") ORB x #6 (9/16") JIC adapter
2	095177	#12 (1-1/6") ORB x #8 (3/4") JIC Elbow
3	096213	Adjustable ORB Union - #12 (1-16")
4	096219	Valve, Ball 1/4 Turn 3000 #12 (1-16")
5	096225	Filter, Oil (Zinga)
	096226	Filter, Replacement Zinga
6	097115	Hydraulic Valve Pulse Width 10 GPM
7	096214	Connector, #8 (3/4") JIC to O-Ring #12 (1-1/16")
8	13476-00	Connector, #8 8MFJIC SW/8MJIC
9	096276	Check Valve ORB
10	096289	Pioneer 3/4" ORB 8010-15
11	095160	37° #6 (9/16") JIC Tee 2603-6-6-6
12	095344	Hydraulic Motor C/L 101-1015
13	097418	Flow Control FC-51- #10-(0-3) Brand
14	095279	#6 (9/16") x #10 (7/8") ORB Elbow
15	13451-00	Adaptor – #6 (9/16") FJIC Swivel - #6MJIC – #6MJIC Tee
16	095374	Hydraulic Motor C/1 101-1010-009
17	097233	4 GPM Hydraulic Valve
18	095158	37° JIC to ORB – 848FSO-06X06
19	095176	90° Elbow #6 (9/16) JIC x #6 (9/16) ORB
20	083070	3/8" Solid Male x #8 (3/4") ORB
21	096230	Hose End, #8 (3/4") Female Swivel 3/8 Hose
22	096072	#6 (9/16") JIC Swivel Female
23	095154	3/8 Hose #8 (3/4) JIC Female Swivel 90
24	095153	Hose End, HV06-06FJ90T-90 Swivel

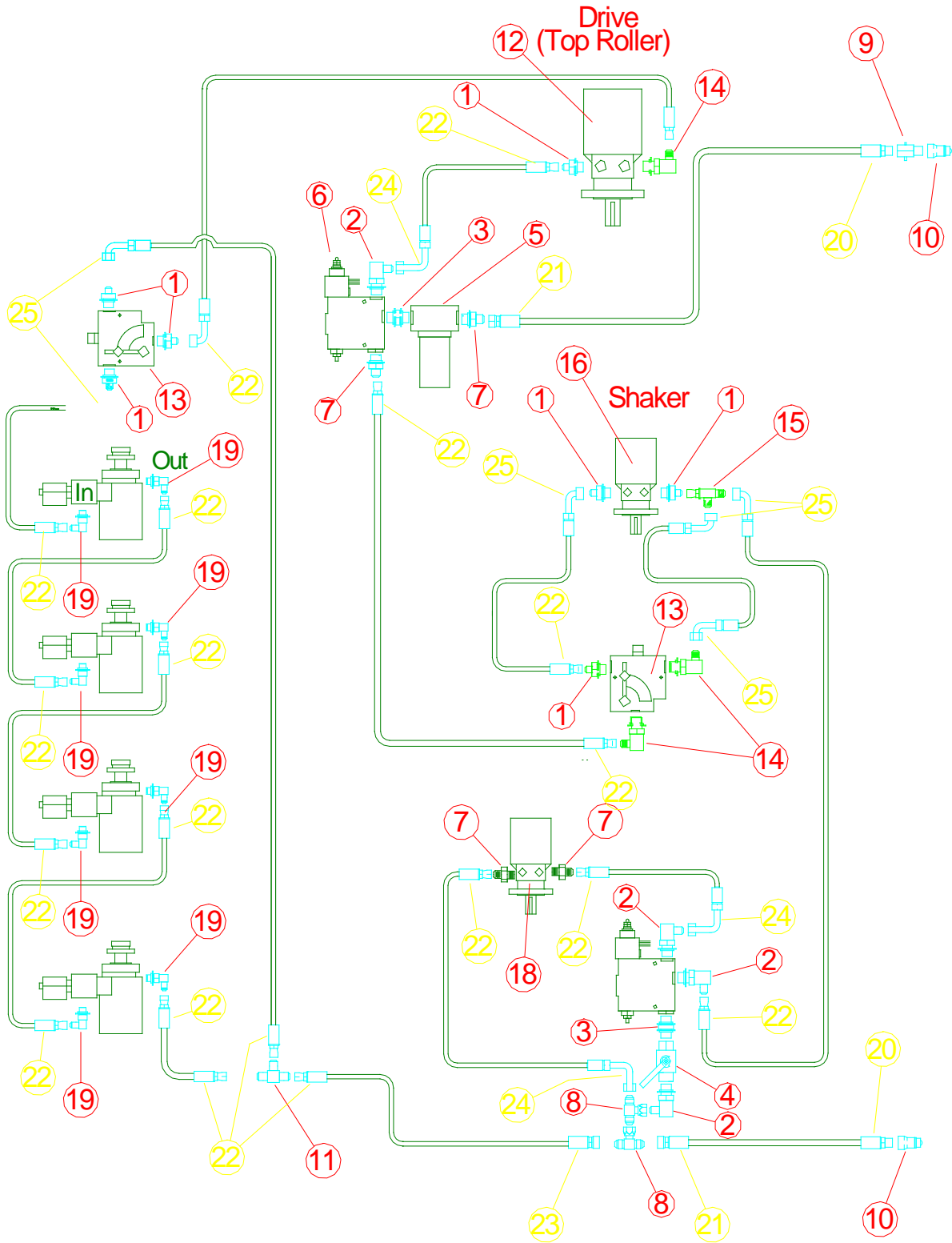
#400001 - Raven 662 Hydraulics



#400001 - Raven 662 Hydraulics

Ref.	Part No.	Description
1	095185	#10 (7/8") ORB x #6 (9/16") JIC adapter
2	095177	#12 (1-1/6") ORB x #8 (3/4") JIC Elbow
3	096213	Adjustable ORB Union - #12 (1-16")
4	096219	Valve, Ball 1/4 Turn 3000 #12 (1-16")
5	096225	Filter, Oil (Zinga)
	096226	Filter, Replacement Zinga
6	097115	Hydraulic Valve Pulse Width 10 GPM
7	096214	Connector, #8 (3/4") JIC to O-Ring #12 (1-1/16")
8	13476-00	Connector, #8 8MFJIC SW/8MJIC
9	096276	Check Valve ORB
10	096289	Pioneer 3/4" ORB 8010-15
11	095160	37° #6 (9/16") JIC Tee 2603-6-6-6
12	095344	Hydraulic Motor C/L 101-1015
13	097418	Flow Control FC-51- #10-(0-3) Brand
14	095279	#6 (9/16") x #10 (7/8") ORB Elbow
15	13451-00	Adaptor – #6 (9/16") FJIC Swivel - #6MJIC – #6MJIC Tee
16	095374	Hydraulic Motor C/1 101-1010-009
17	097233	4 GPM Hydraulic Valve
18	095158	37° JIC to ORB – 848FSO-06X06
19	095176	90° Elbow #6 (9/16) JIC x #6 (9/16) ORB
20	083070	3/8" Solid Male x #8 (3/4") ORB
21	096230	Hose End, #8 (3/4") Female Swivel 3/8 Hose
22	096072	#6 (9/16") JIC Swivel Female
23	095154	3/8 Hose #8 (3/4) JIC Female Swivel 90
24	095153	Hose End, HV06-06FJ90T-90 Swivel

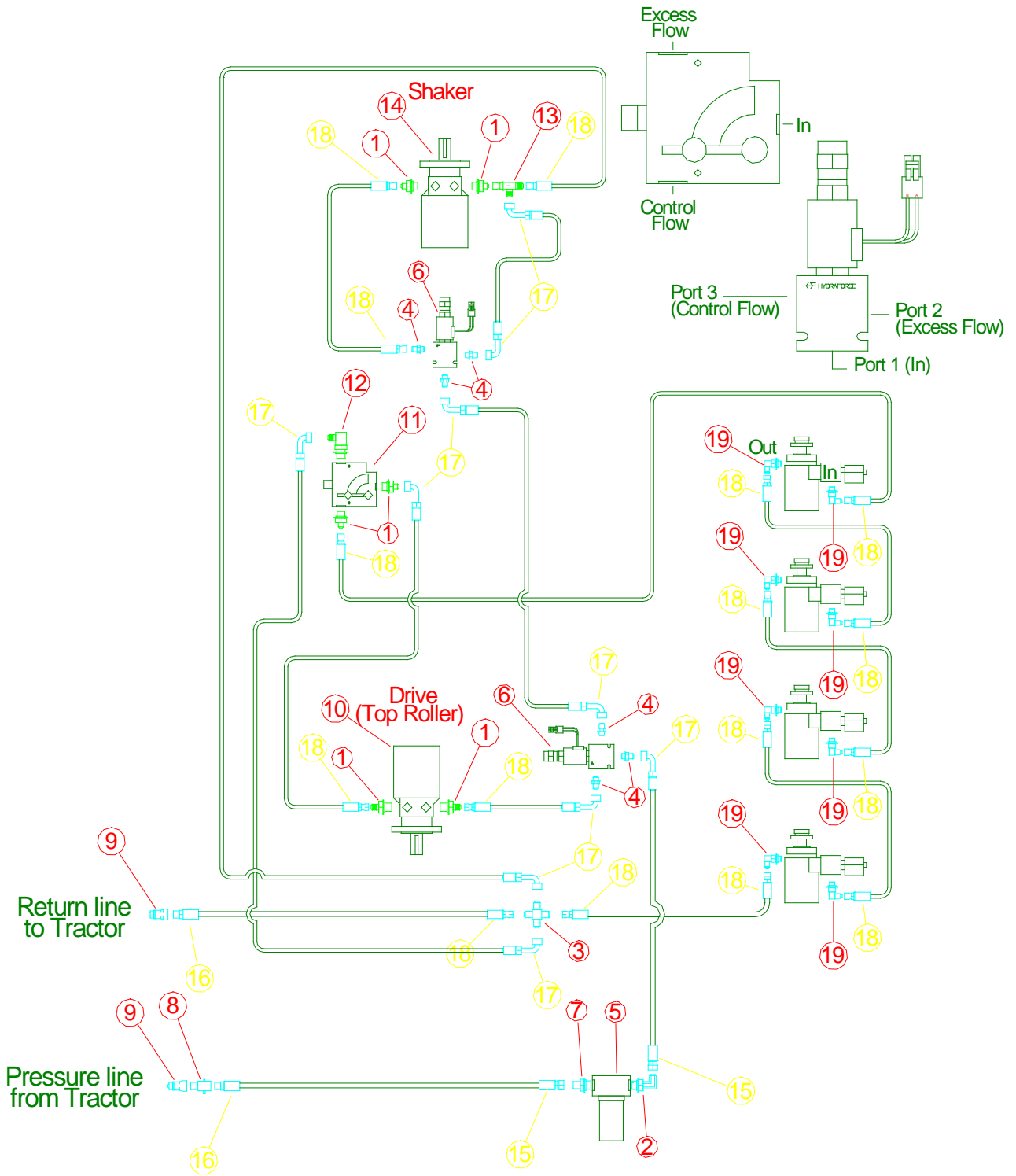
#400002 - Raven 760/4000 Hydraulics



#400002 - Raven 760/4000 Hydraulics

Ref.	Part No.	Description
1	095185	#10 (7/8")ORB x #6 (9/16") JIC Adapter
2	095177	1-1/16 Orb x #8 (3/4") JIC Elbow
3	096213	Adjustable Orb Union -12
4	096219	Valve, Ball 1/4 Turn 3000 #12
5	096225	Filter Oil (Zinga)
	096226	Filter, Replacement (Zinga)
6	097115	Hydraulic Valve Pulse Width 10 gpm
7	096214	Connector, JIC #8 to O Ring #12
8	13476-00	Connector, 8MFJIC SW/8MJIC
9	096067	Flow Check Valve
10	095012	Universal Male Tip 1/2" Pioneer End
11	095160	37° JIC #6 (9/16") Tee 2603-6-6-6
12	095344	Hydraulic Motor C/L 101-1015
13	097418	Flow Control FC-51-#10-(0-3) Brand
14	095279	# 6 (9/16") x #10 (7/8") ORB Elbow
15	13451-00	Adaptor -6FJ Swivel -6MJ -6MJ Tee
16	095374	Hydraulic Motor C/1 101-1010-009
17	095170	#6 (9/16") JIC X 1/2 Male Pipe Thread Adaptor
18	090103	Hydraulic Motor MG06
19	095176	90° Elbow #6 (9/16") JIC x #6 (9/16") ORB
20	095007	1/2 to 1/2 IPT Solid Male Hose End
21	083019	#8 (3/4")-16 JIC Swivel Female Hose
22	096072	#6 (9/16") JIC Swivel Female
23	096230	Hose End, #8 Female Swivel 3/8 Hose
24	095154	3/8 Hose #8 (3/4") JIC Female Swivel 90
25	095153	Hose End, HV06-06FJ90T-90 Swivel

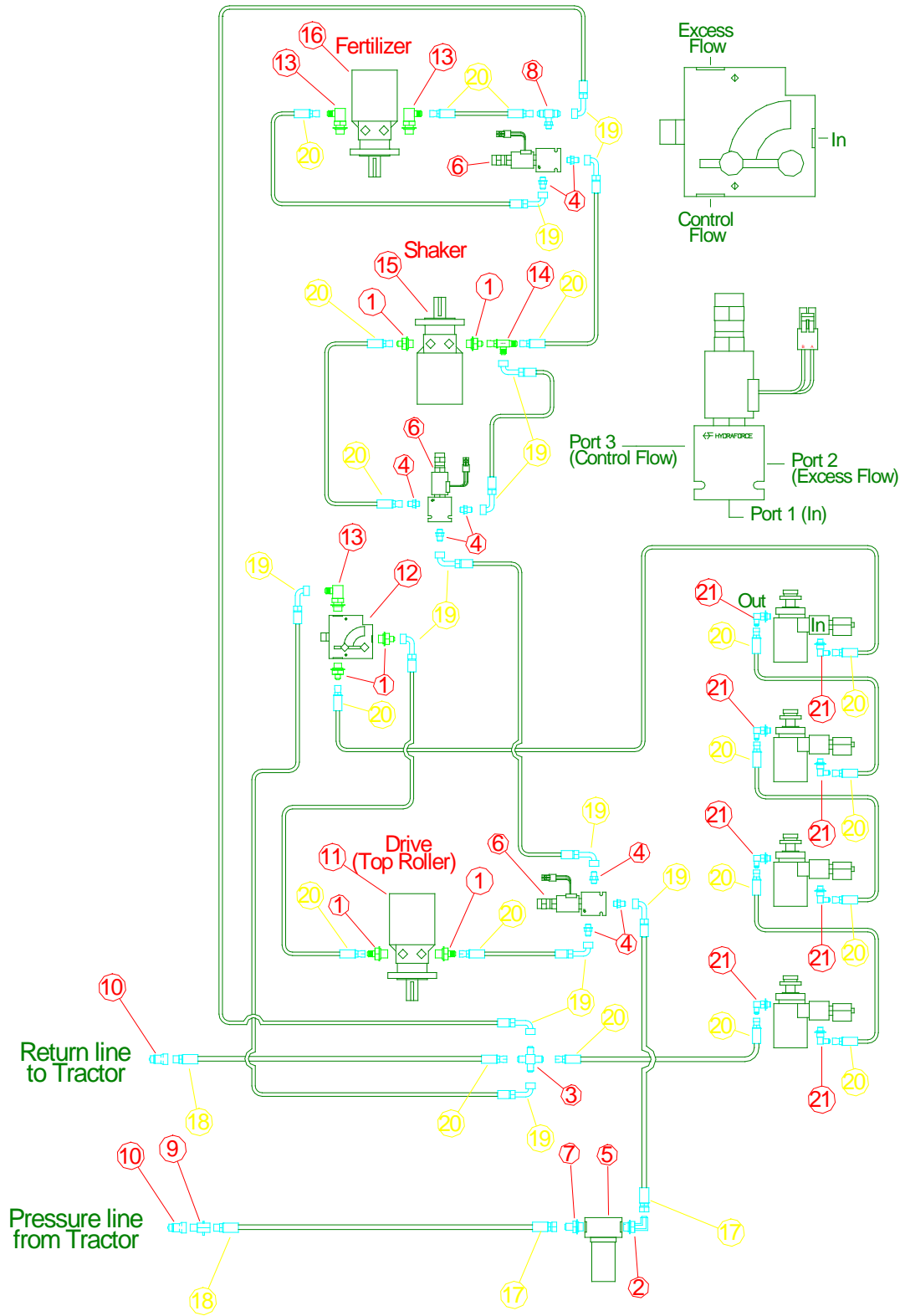
Dickey-john IntelliAg Hydraulics (without Fertilizer)



Dickey-john IntelliAg Hydraulics (without Fertilizer)

Ref.	Part No.	Description
1	095185	#10 (7/8") ORB x #6 (9/16") JIC Adapter
2	095177	1-1/16 Orb x #8 (3/4") JIC Elbow
3	095313	4 Way X-Adpt. JIC Male #6 2650-6
4	012647	Adaptor, #6 O-Ring / #6 MJIC
5	096225	Filter Oil (Zinga)
	096226	Filter, Replacement (Zinga)
6	097233	4 GPM Hydraulic Valve
7	096214	Connector, JIC #8 to O Ring #12
8	096067	Flow Check Valve
9	095012	Universal Male Tip 1/2" Pioneer End
10	095344	Motor, Hydraulic, C/L 101-1015-009
11	097418	Flow Control FC-51-#10-(0-3) Brand
12	095279	#6 (9/16") x #10 (7/8") ORB Elbow
13	13451-00	Adaptor -6FJ Swivel -6MJ -6MJ Tee
14	095374	Hydraulic Motor C/L 101-1010-009
15	096230	Hose End, #8 Female Swivel 3/8 Hose
16	095006	3/8" Hose End - 1/2" MPT Solid
17	095153	Hose End, HV06-06FJ90T-90 Swivel
18	096072	#6 (9/16") JIC Swivel Female
19	095176	90° Elbow #6 (9/16") JIC x #6 (9/16") ORB

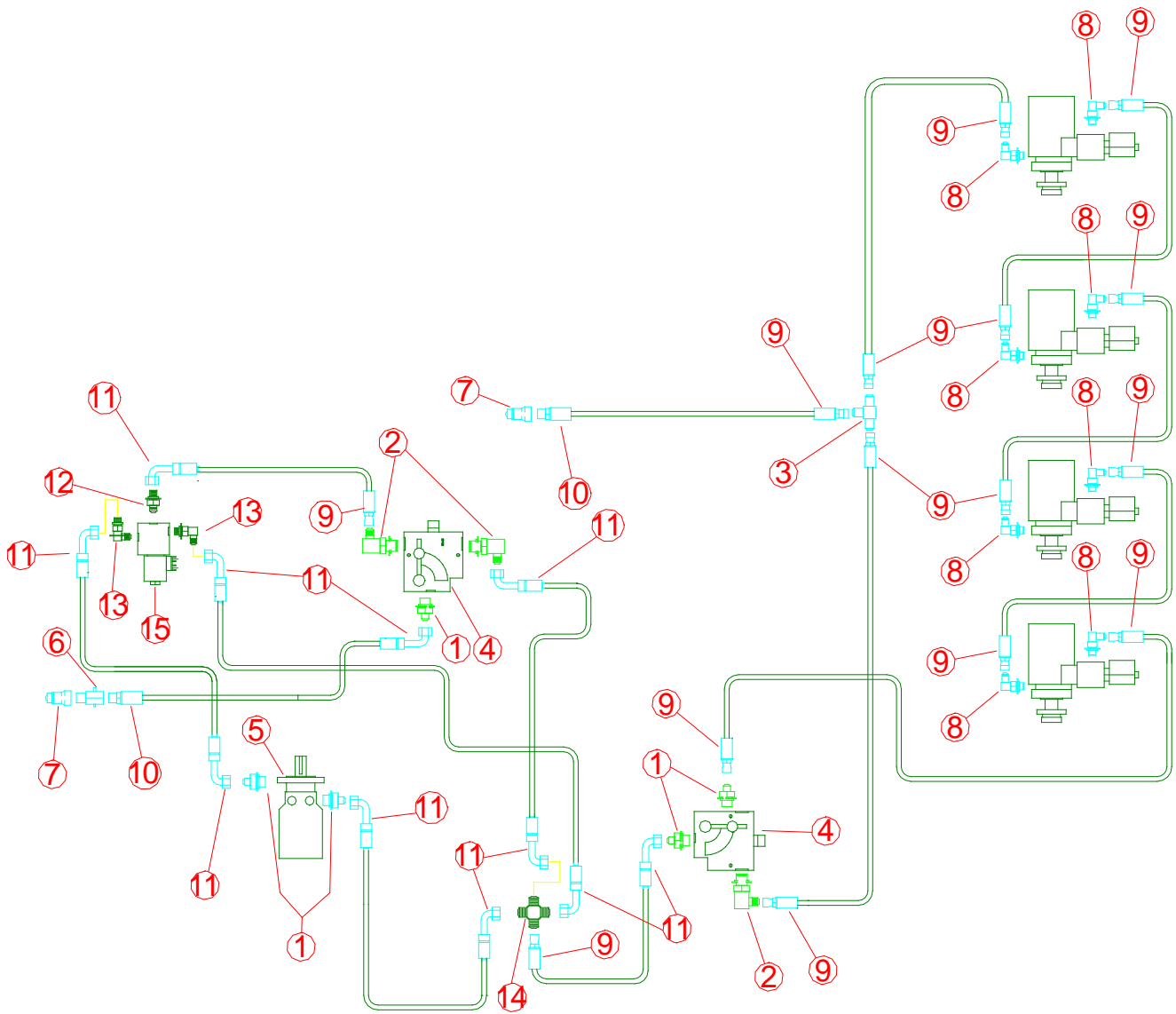
Dickey-john IntelliAg Hydraulics (with Fertilizer)



Dickey-john IntelliAg Hydraulics (with fertilizer)

Ref.	Part No.	Description
1	095185	#10 (7/8") ORB x #6 (9/16") JIC Adapter
2	095177	1-1/16 Orb x #8 (3/4") JIC Elbow
3	095313	4 Way X-Adpt. JIC Male #6 2650-6
4	012647	Adaptor, #6 O-Ring / #6 MJIC
5	096225	Filter Oil (Zinga)
	096226	Filter, Replacement (Zinga)
6	097233	4 GPM Hydraulic Valve
7	096214	Connector, JIC #8 to O Ring #12
8	083210	Hydraulic Adaptor 845FSO-06X06
9	096067	Flow Check Valve
10	095012	Universal Male Tip 1/2" Pioneer End
11	095344	Motor, Hydraulic, C/L 101-1015-009
12	097418	Flow Control FC-51-#10-(0-3) Brand
13	095279	#6 (9/16") x #10 (7/8") ORB Elbow
14	13451-00	Adaptor -6FJ Swivel -6MJ -6MJ Tee
15	097405	Hydraulic Motor C/L 130-1005-003
16	090103	Hydraulic Motor MG06
17	096230	Hose End, #8 Female Swivel 3/8 Hose
18	095006	3/8" Hose End - 1/2" MPT Solid
19	095153	Hose End, HV06-06FJ90T-90 Swivel
20	096072	#6 (9/16") JIC Swivel Female
21	095176	90° Elbow #6 (9/16") JIC x #6 (9/16") ORB

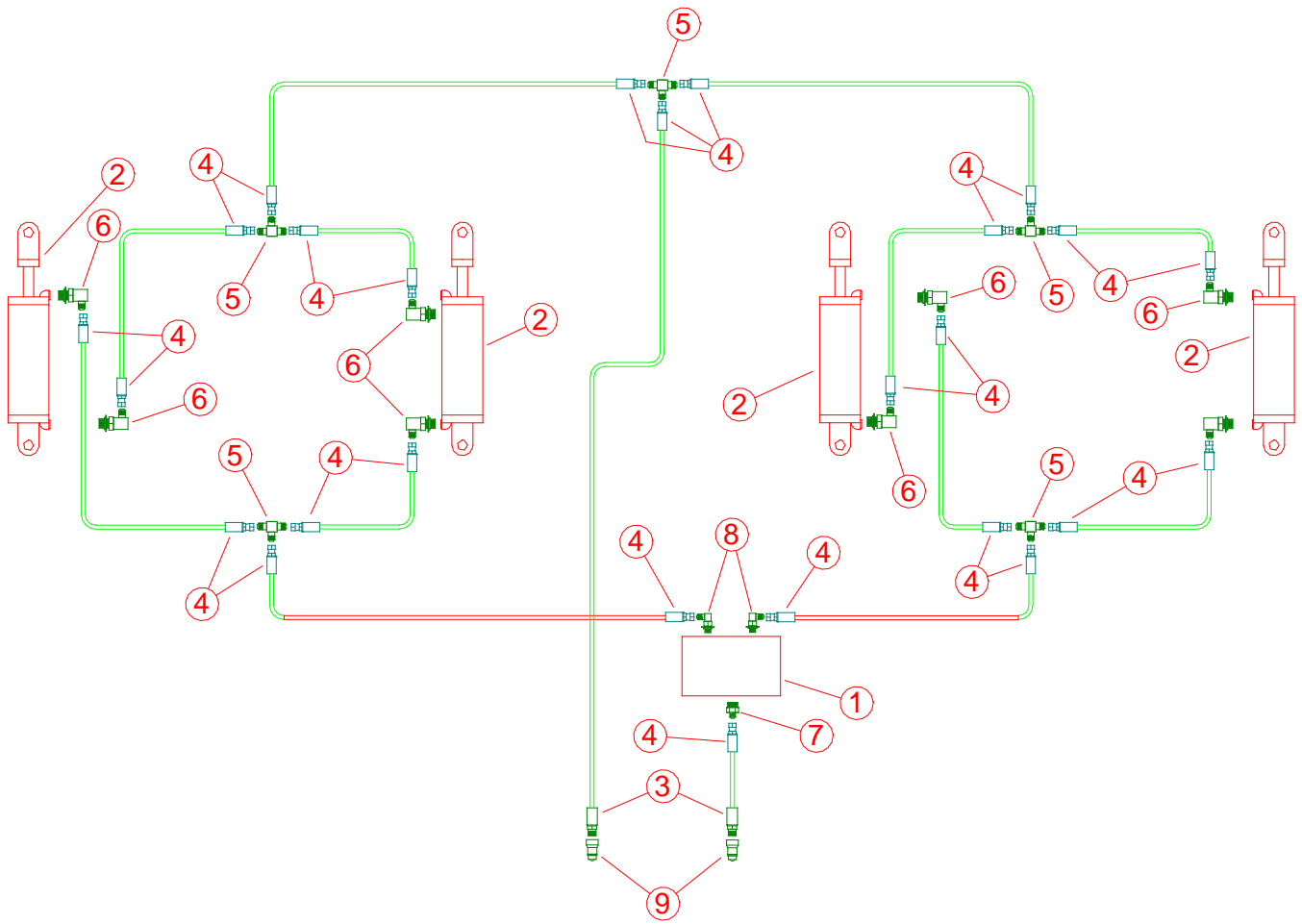
Ground (Mechanical) Drive Hydraulics



Ground (Mechanical) Drive Hydraulics

Ref.	Part No.	Description
1	095185	#10 (7/8") ORB x #6 (9/16") JIC Adapter
2	095279	#6 (9/16") x #10 (7/8") ORB Elbow
3	095160	37° JIC #6 (9/16") Tee 2603-6-6-6
4	097418	Flow Control FC-51-#10-(0-3) Brand
5	097405	Hydraulic Motor C/L 130-1005-003
6	096067	Flow Check Valve
7	095012	Universal Male Tip 1/2" Pioneer End
8	095176	90° Elbow #6 (9/16") JIC x #6 (9/16") ORB
9	096072	#6 (9/16") JIC Swivel Female
10	095157	3/8 Hose End 1/2 NPTF Male Swivel
11	095153	Hose End, HV06-06FJ90T-90 Swivel
12	095158	37° JIC to ORB
13	095176	#6 (9/16") JIC x #6 (9/16") ORB
14	095312	4-way cross JIC #8
15	096212	3-way valve w/ electric solenoid

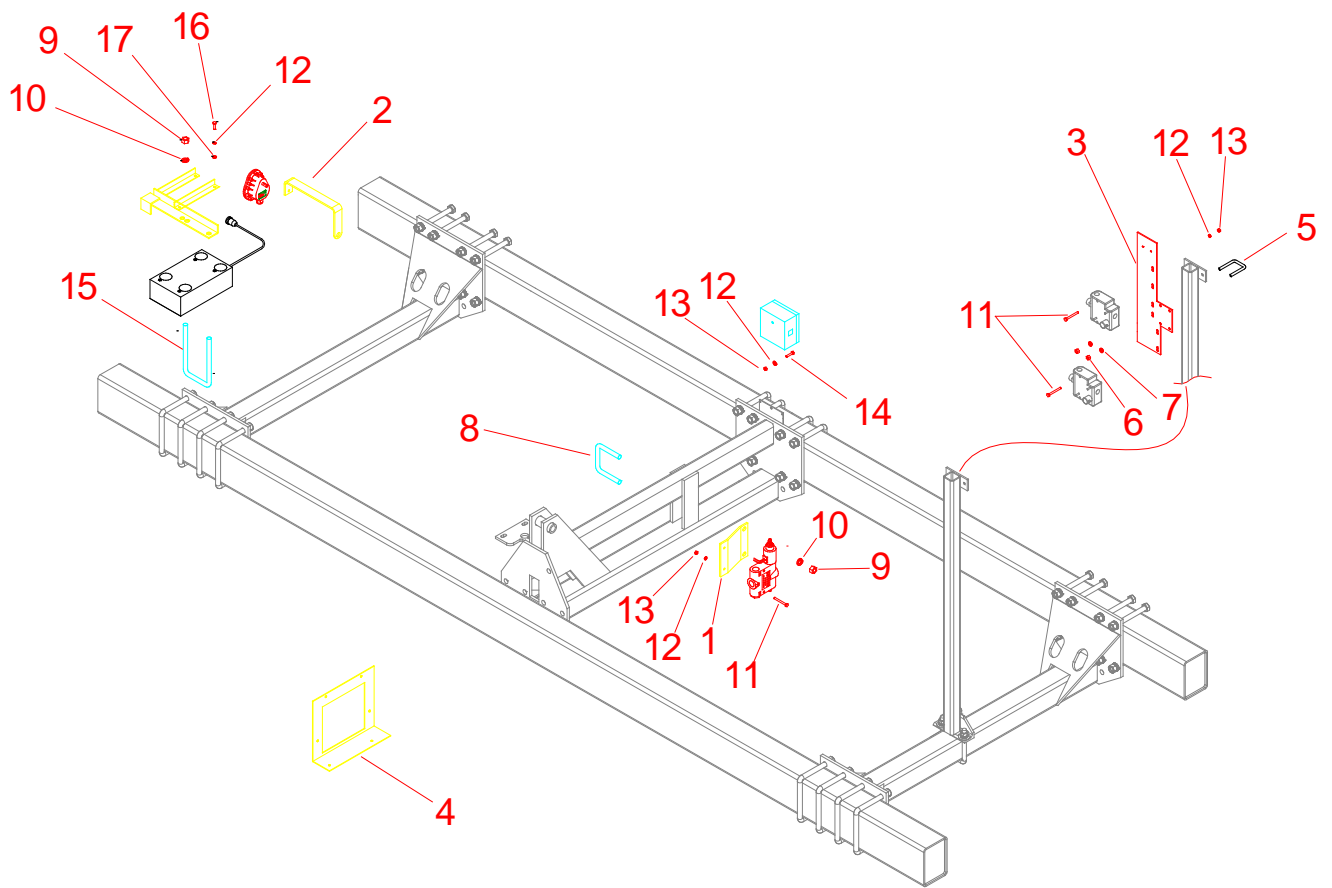
Rear Steer Hydraulics



Rear Steer Hydraulics

Ref.	Part No.	Description
1	096231	Divider, Hydraulic 2 Section
2	095123	2 x 4 Hydraulic Cylinder
3	095006	3/8" Hose End – 1/2" MPT Solid
4	096072	#6 (9/16") JIC Swivel Female
5	095160	37° JIC #6 (9/16") Tee 2603-6-6-6
6	095169	#8 (3/4") ORB x #6 (9/16") JIC Elbow
7	095185	#10 (7/8") ORB x #6 (9/16") JIC Adaptor 6400-6-10
8	095279	#6 (9/16") JIC x #10 (7/8") ORB Elbow
9	095012	Universal Male Tip 1/2" Pioneer End

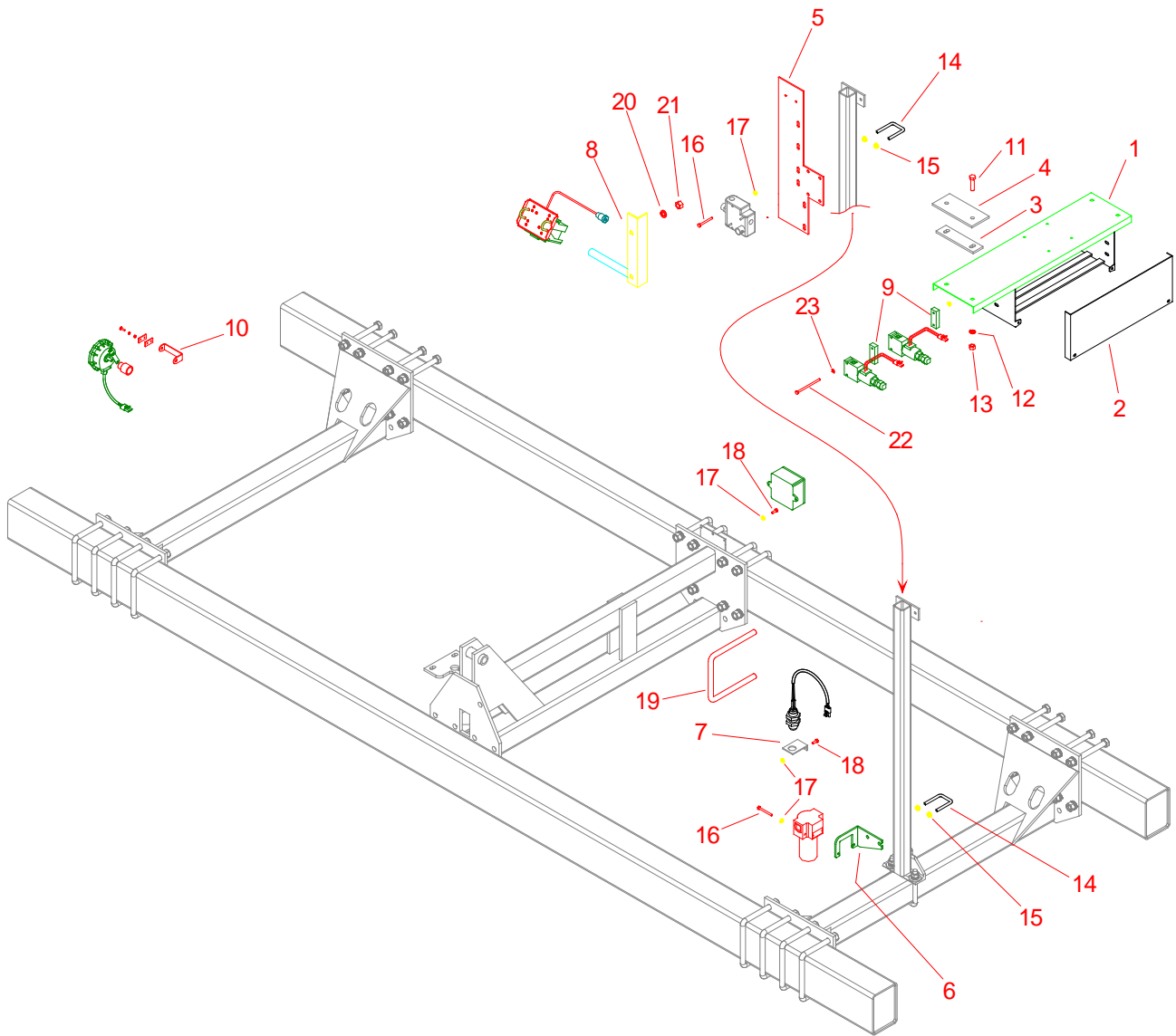
Raven Hydraulic Drive Mounting Hardware



Raven Hydraulic Drive Mounting Hardware

Ref.	Part No.	Description
1	400538	Raven Pulse Width Valve Mount
2	400548	Raven Shaft Sensor Mount Flat
3	400433	Flow Control Mount Flat-Cup
	400450	Shaker Flow Control Mount Weldment
4	355660	Raven Console Mount
5	021024	3/8" X 2" X 3" U-Bolt
6	020402	3/8" NC Nut
7	020502	3/8" Lock Washer
8	021039	5/8" X 4" x 3-1/2" U-Bolt
	021009	5/8" X 4" x 5-1/2" U-Bolt
9	020406	5/8" NC Nut
10	020506	5/8" Lock Washer
11	020006	1/4" X 2-1/2" NC Gr 5 Bolt
12	020500	1/4" Lock Washer
13	020400	1/4" NC Nut
14	020003	1/4" X 1-1/4" Bolt
15	021012	5/8" X 5" X 8-1/2" U-Bolt
16	020002	1/4" X 1" Bolt
17	020511	1/4" Flat Washer

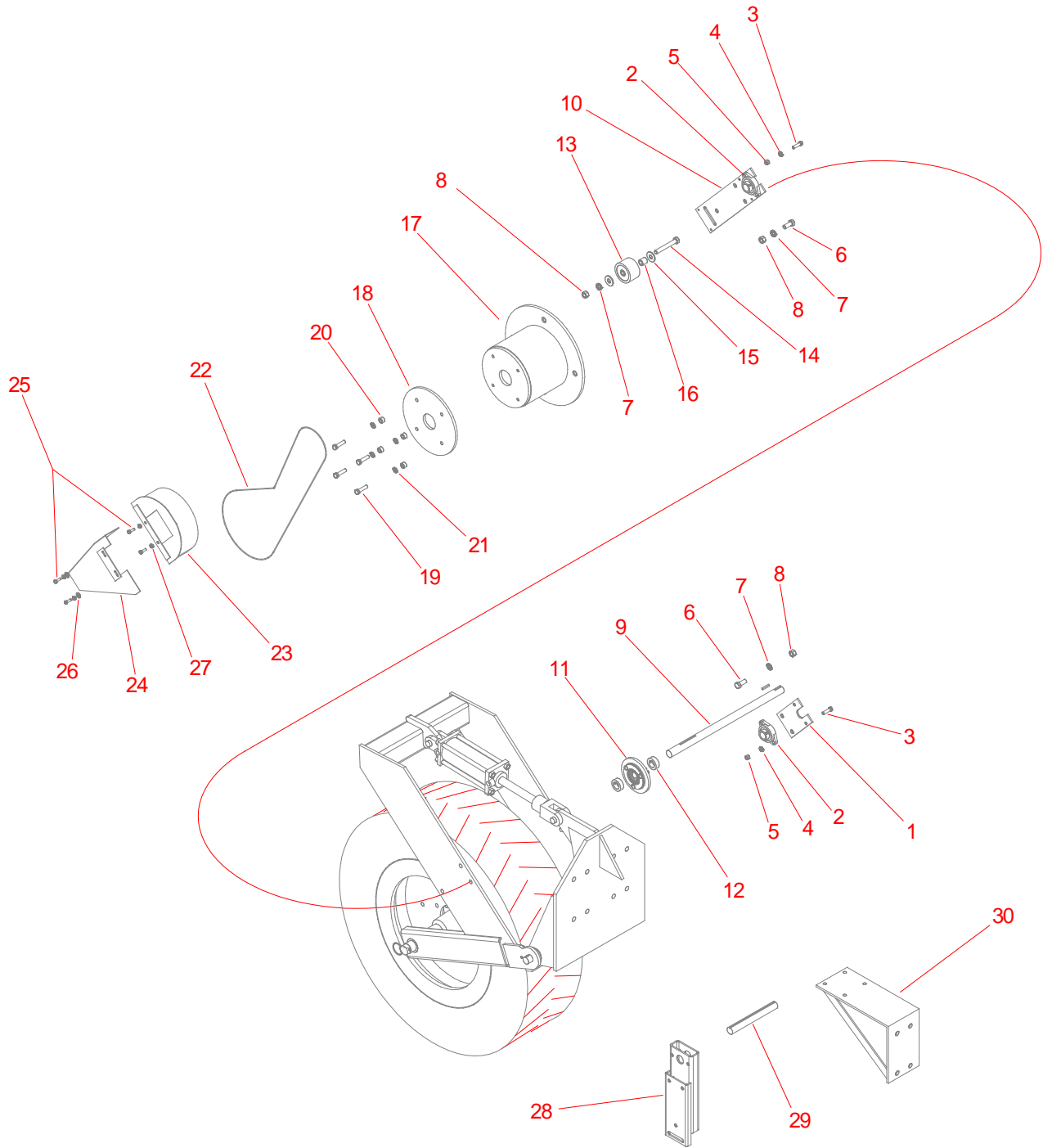
Dickey-john IntelliAg Hydraulic Drive Mounting Hardware



Dickey-john IntelliAg Hydraulic Drive Mounting Hardware

Ref.	Part No.	Description
1	400595	IntelliAg Module Box
2	400590	Cover, IntelliAg
3	351435	Feed Box Mount Shim
4	351430	Feed Box Mount Strap
5	400450	Shaker Flow Control Mount Weldment
6	400580	DJ IntelliAg Filter Bracket
7	400598	Shaker Sensor Mount
8	355655	Radar Scope Mount
9	400581	PWM Valve Shim
10	400597	DJ Shaft Monitor Mount
11	020053	1/2" x 2" Grade 5 Bolt
12	020504	1/2" Lock Washer
13	020404	1/2" Nut
14	021024	3/8" X 2" X 3" U-Bolt
15	020471	3/8" Flange Nut
16	020006	1/4" x 2-1/2" Grade 5 Bolt
17	020475	1/4" Flange Nut
18	020001	1/4" x 3/4" Grade 5 Bolt
19	020118	3/4" x 7" x 6-1/2" U-Bolt
20	020507	3/4" Lock Washer
21	020407	3/4" Hex Nut
22	020174	1/4" x 4-1/2" Grade 5 Bolt
23	020511	1/4" Flat Washer

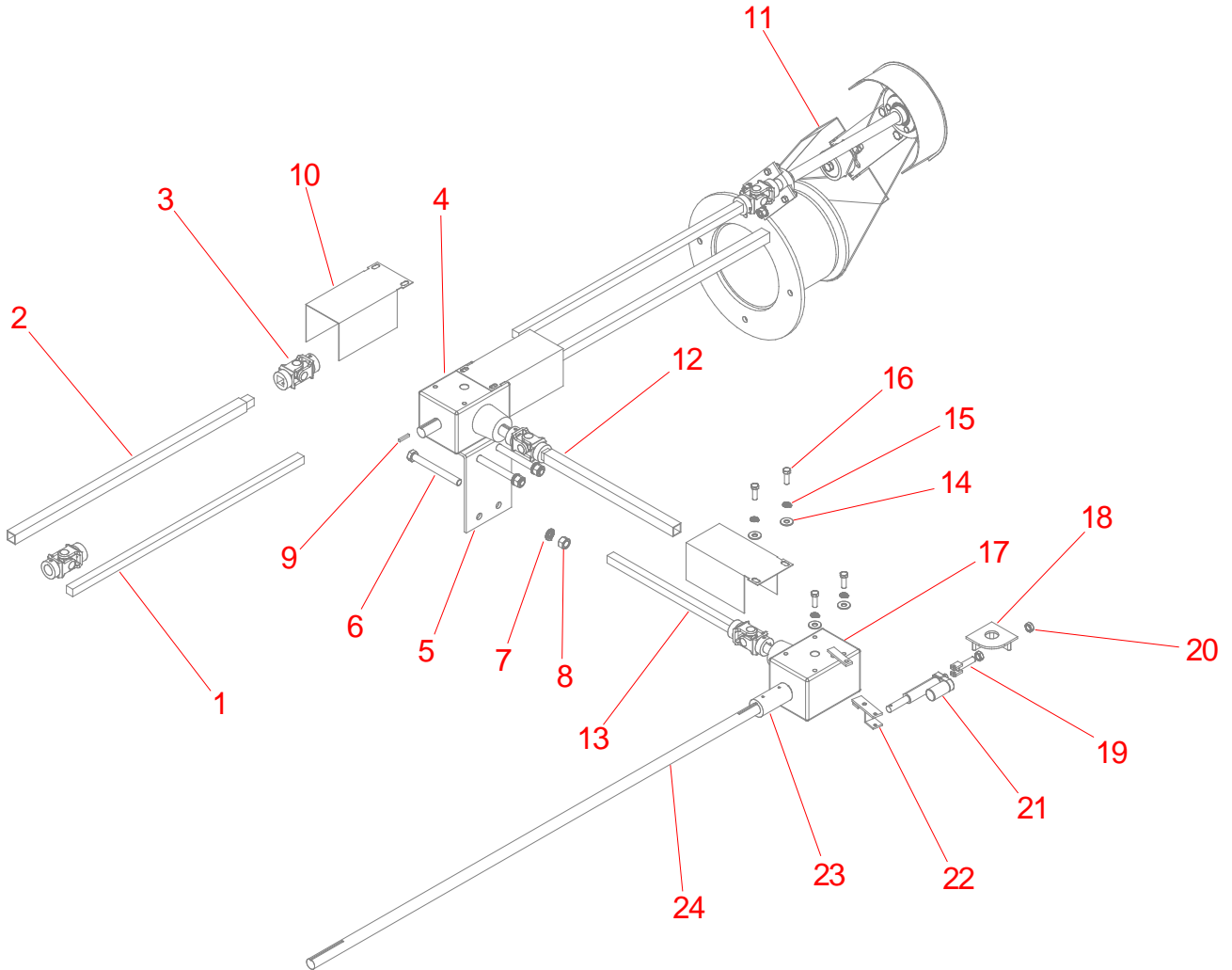
Rear Ground Drive Components (Pole Type) Package #401300 4 Row



**Rear Ground Drive Components (Pole Type)
Package #401300 4 Row**

Ref.	Part No.	Description
1	401399	Wheel Yoke Bearing Mount Short
2	094091	1-1/4" Star Table Bearing
3	020041	Bolt, 7/16" x 1-1/2" Hex Head
4	020503	Washer, 7/16" Regular Lock
5	020403	Nut, 7/16" Hex
6	020064	Bolt, 5/8" x 1-1/2" Hex Head Grade 5
7	020506	Washer, 5/8" Regular Lock
8	020406	Nut, 5/8" Hex
9	401339	Wheel Yoke Cross Shaft
10	401311	Wheel Yoke Bearing Mount Long
11	401510	Clutch Assembly W/Harriston 6024 Weldasprocket
12	090057	1-1/4" Set Collar
13	097421	Terog Roller 2500BD3
14	020063	Bolt, 5/8" x 4-1/2" Hex Head Grade 8
15	020536	Washer, 5/8" Flat
16	401374	Spacer for Terog Roller
17	401500	Hub Weldment
18	401504	6048 Weldasprocket Machined Center W/Holes
19	020053	Bolt, 1/2" x 2" Hex Head Grade 5
20	350660	1/2" Cam Mount Spacer
21	020504	Washer, 1/2" Regular Lock
22	401402	Yoke Chain
23	401460	Upper Chain Shield Rear Wheel
24	401450	Chain Shield Weldment Right
	401455	Chain Shield Weldment Left
25	020016	Bolt, 5/16" x 1" Hex Head Grade 5
26	020512	Washer, 5/16" Flat
27	020501	Washer, 5/16" Regular Lock
28	401345	Wheel Yoke Bearing Mount Weldment
29	401337	Rear Jackshaft
30	401325	Gearbox Mount Rear

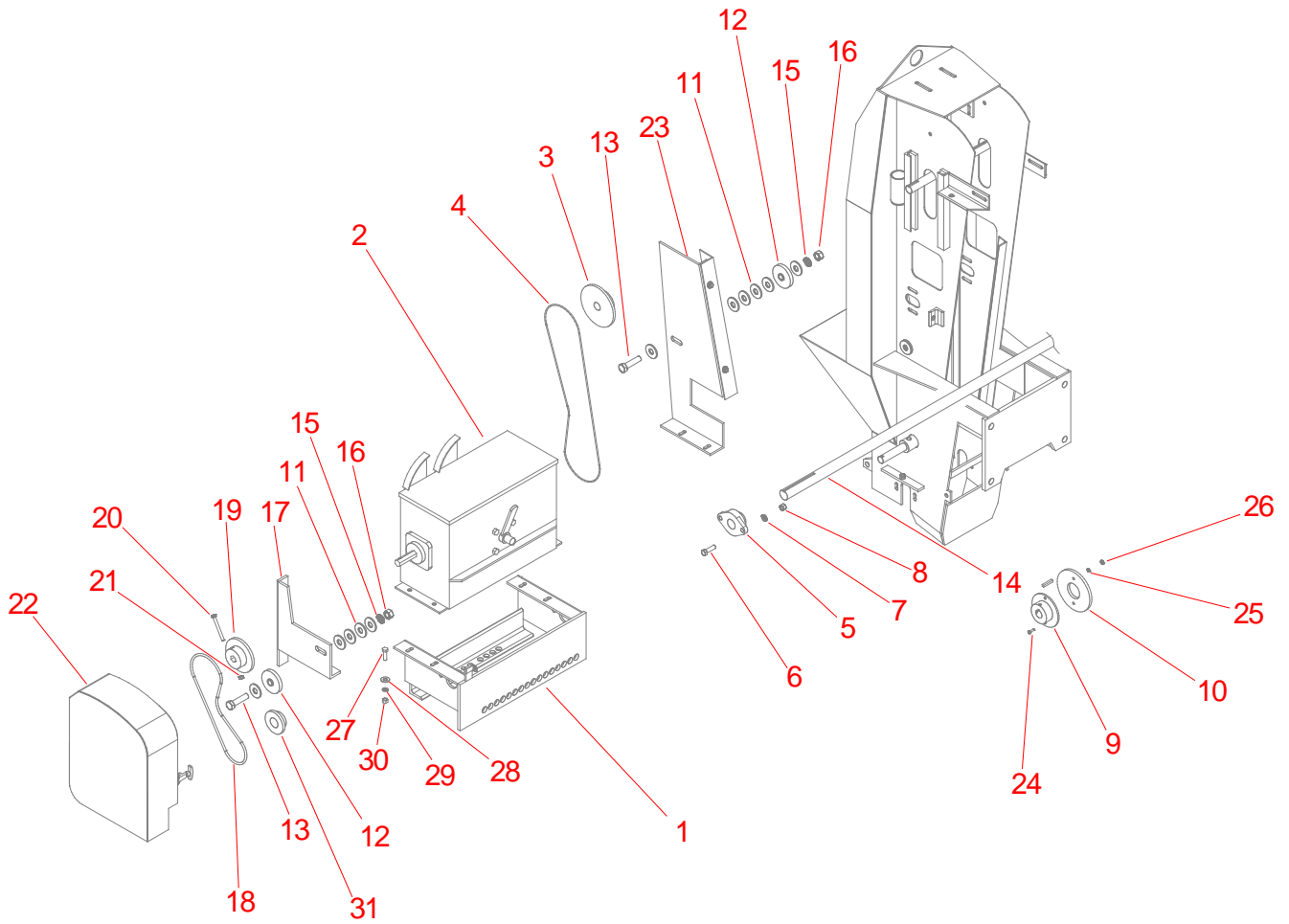
Rear Ground Drive Components



Rear Ground Drive Components

Ref.	Part No.	Description
1	401356	Inner Shaft Rear 4 Row
2	401360	Outer Shaft Rear 4 Row
3	401355	U-Joint Assembly
4	097425	R400 3-Way Shaft –9DXF
5	401375	Gearbox Mount Rear
6	020091	Bolt, 3/4" x 7-1/2" Hex Head Grade 5
7	020507	Washer, 3/4" Regular Lock
8	020407	Nut, 3/4" Hex
9	351072	1/4" Keystock 1-1/2" Long
10	401449	Gearbox Shield
11	401455	Chain Guard Weldment (Left)
12	401420	Outer Shaft Middle
13	401419	Inner Shaft Middle
14	020515	Washer, 1/2" Flat
15	020504	Washer, 1/2" Regular Lock
16	020052	Bolt, 1/2" x 1-1/2" Hex Head Grade 5
17	097426	R400 2-Way (Shifter) –9DXE
18	401480	Ground Drive Actuator Mount Weldment
19	401485	Threaded Rod Adjustment Weldment
20	020449	Nut, 5/8" Hex
21	097424	Actuator S12-17AB-04
22	401470	Actuator Pivot Weldment
23	095240	1-1/4" Shaft Coupler
24	401373	Front Shaft

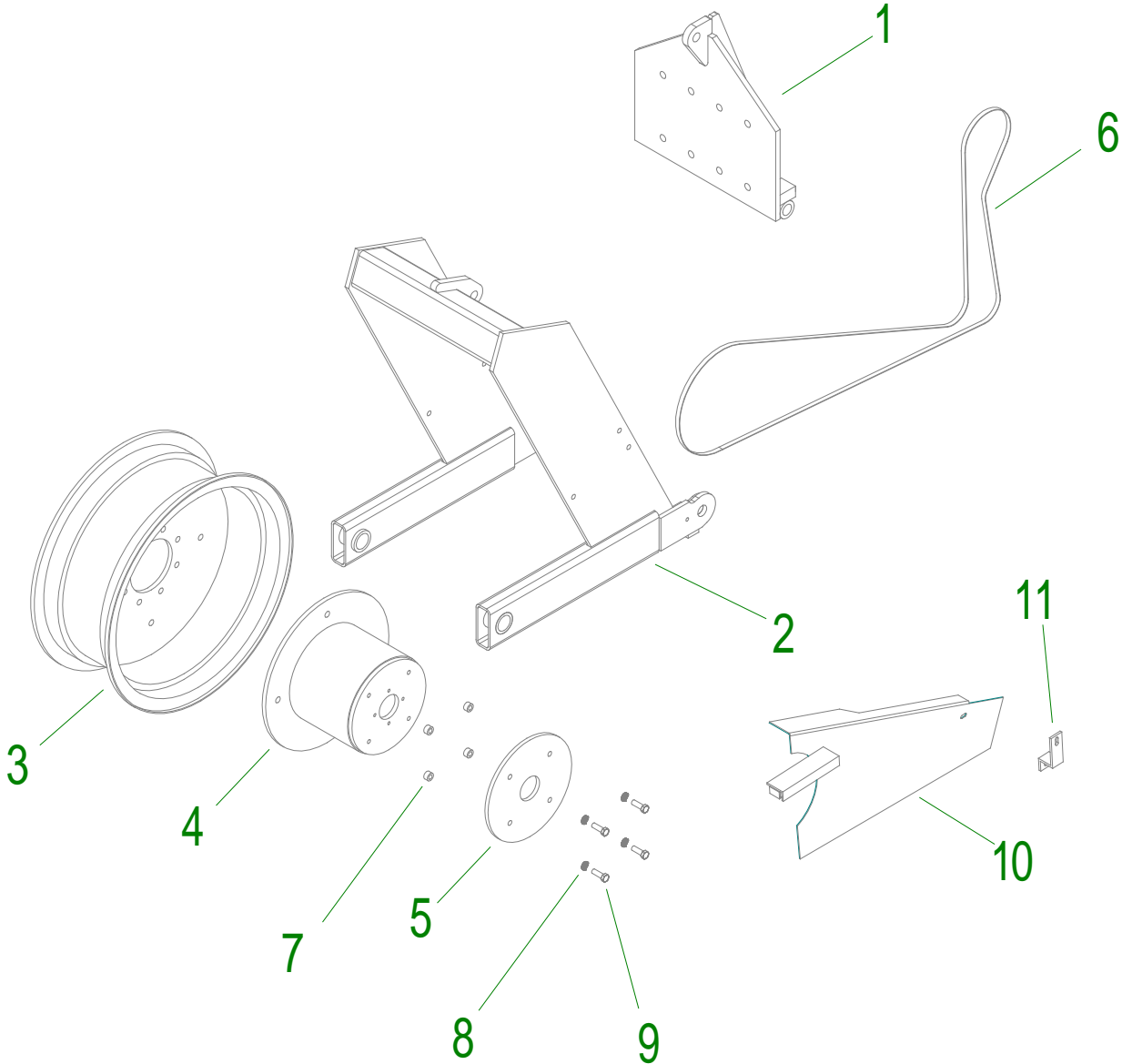
Rear Ground Drive Components



Rear Ground Drive Components

Ref.	Part No.	Description
1	401365	Gearbox Mount Weldment
2	097085	Great Plains Gearbox
3	096037	5025 x 1 Finish Bore Sprocket
4	401394	Row Unit Chain
5	094091	1-1/4" Star Table Bearing
6	020041	Bolt, 7/16" x 1-1/2" Hex Head Grade 5
7	020503	Washer, 7/16" Regular Lock
8	020403	Nut, 7/16" NC Hex
9	401410	Hub with Washer
10	401398	5025 Sprocket Drilled
11	020536	Washer, 5/8" Flat
12	081219	5013E Idler Sprocket 5/8"
13	020066	Bolt, 5/8" x 2-1/2" Hex Head Grade 5
14	401373	Front Shaft
15	020506	Washer, 5/8" Regular Lock
16	020406	Nut, 5/8" NC Hex
17	401430	Gearbox Idler Weldment (Outside)
18	401397	Gearbox Chain Outside
19	401390	5020 W/Hex Bore
20	020020	Bolt, 5/16" x 3" Hex Head Grade 5
21	020422	Nut, 5/16" Centerlock
22	401440	Chain Shield Weldment
23	402250	Row Unit Idler Mount
24	020136	3/16" x 3/4" Machine Screw
25	020545	Washer, 3/16" Regular Lock
26	020419	Nut, 3/16" Hex
27	020120	Bolt, 3/8" x 1-1/4" Hex Head Grade 5
28	020513	Washer, 3/8" Flat Washer
29	020502	Washer, 3/8" Regular Lock
30	020402	Nut, 3/8" NC Hex
31	081151	5013 x 1-1/4" Sprocket

Ground Drive (Semi-Mount) Components



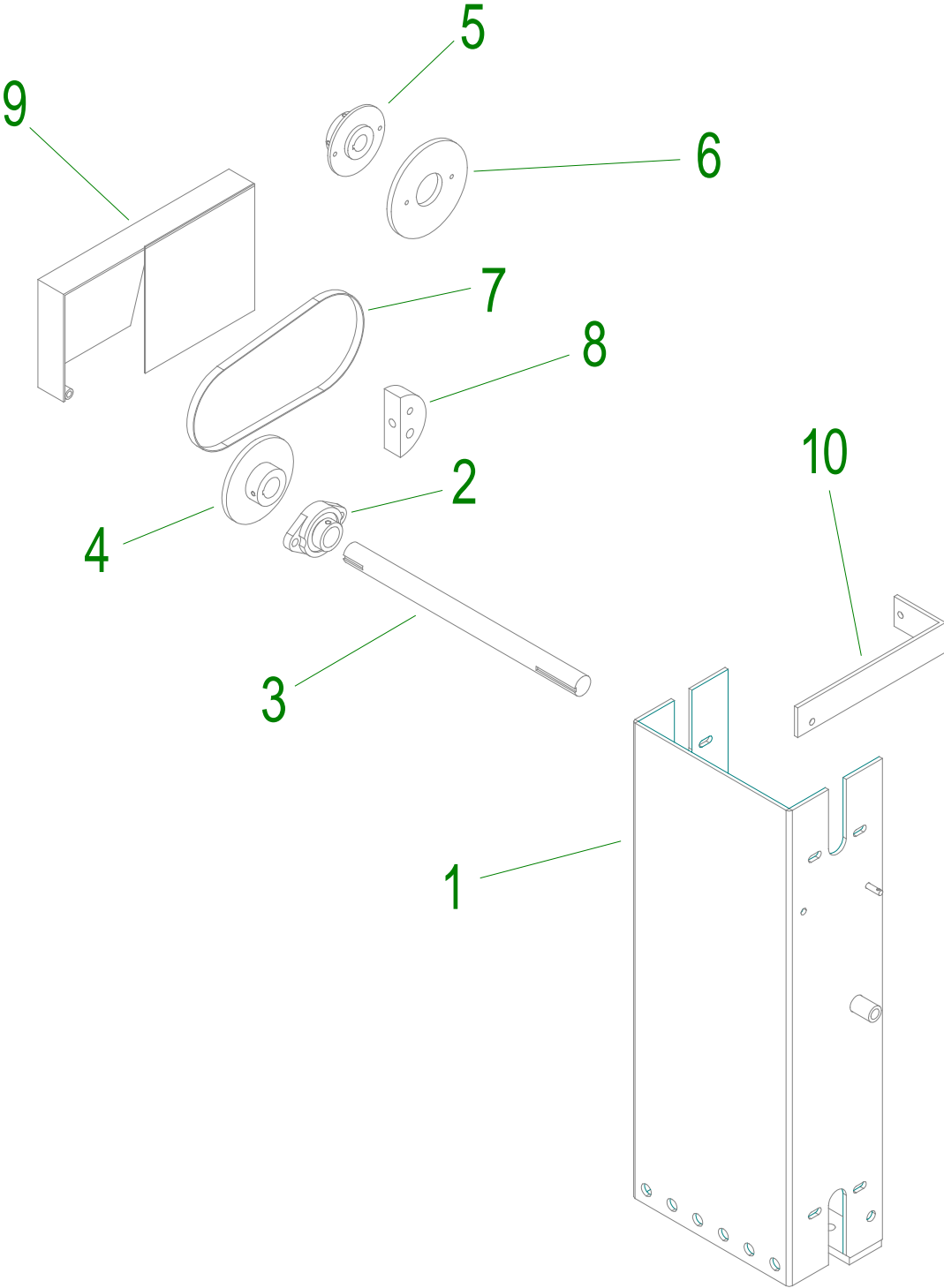
Ground Drive (Semi-Mount) Components

Ref.	Part No.	Description
1	401975	Ground Drive 2006 Lift Plate Weldment
2	352770	Large Rear Wheel Lift Weldment 1994
3	352875	14.9 x 24 Rim w/ 1/2" Center
4	401500	Hub Weldment
5	401504	6048 Weldasprocket Machined Center w/holes
6	403428	Wheel Chain
7	350660	1/2" Cam Mount Spacer
8	020504	1/2" Lock Washer
9	020052	1/2" x 1-1/2" NC Grade 5 Zinc plated Bolt
10	403575	Wheel Shield Left
	403580	Wheel Shield Right
11	403574	Shield Mount Flat

Ground Drive (Semi-Mount) Components

Ref.	Part No.	Description
1	403410	Jackshaft Weldment Left
	403510	Jackshaft Weldment Right
2	403441	Inner Shield Front Left
	403530	Inner Shield Front Right
3	403440	Inner Shield Rear Left Weldment
	403540	Inner Shield Rear Right Weldment
4	094091	1-1/4" Star Table Bearing
5	403419	Bottom Shaft
6	081120	5020 x 1" Finish Bore Sprocket
7	403415	Upper Idler Weldment
8	096022	5015E Idler Sprocket 5/8"
9	403413	Top Shaft
10	403420	Lower Idler Weldment Left
	403520	Lower Idler Weldment Right
11	096024	6015 Idler Sprocket 5/8"
12	403426	Spring Mount
13	403437	Idler Spacer
14	401930	5040 Drilled Sprocket
15	353905	Hub w / Washer
16	403445	Outer Shield Weldment Left
	403550	Outer Shield Weldment Right
17	403449	Top Shield
18	403433	Idler Spacer
19	020090	3/4" x 7" Grade 5 Zinc Plated Bolt
20	020091	3/4" x 7-1/2" Grade 5 Zinc Plated Bolt
21	021009	5/8" x 4 x 5-1/2" U-Bolt
22	020506	5/8" Lock Washer
23	020406	5/8" Hex Nut
24	401510	Clutch Assembly w / Harriston 6024 Weldasprocket
25	020066	5/8" x 2-1/2" Grade 5 Zinc Plated Bolt
26	403444	Idler Spacer
27	403585	Lower Idler Left
	403590	Lower Idler Right
28	403438	Idler Spacer
29	096023	6011E Idler Sprocket 5/8"
30	096007	Extension Spring

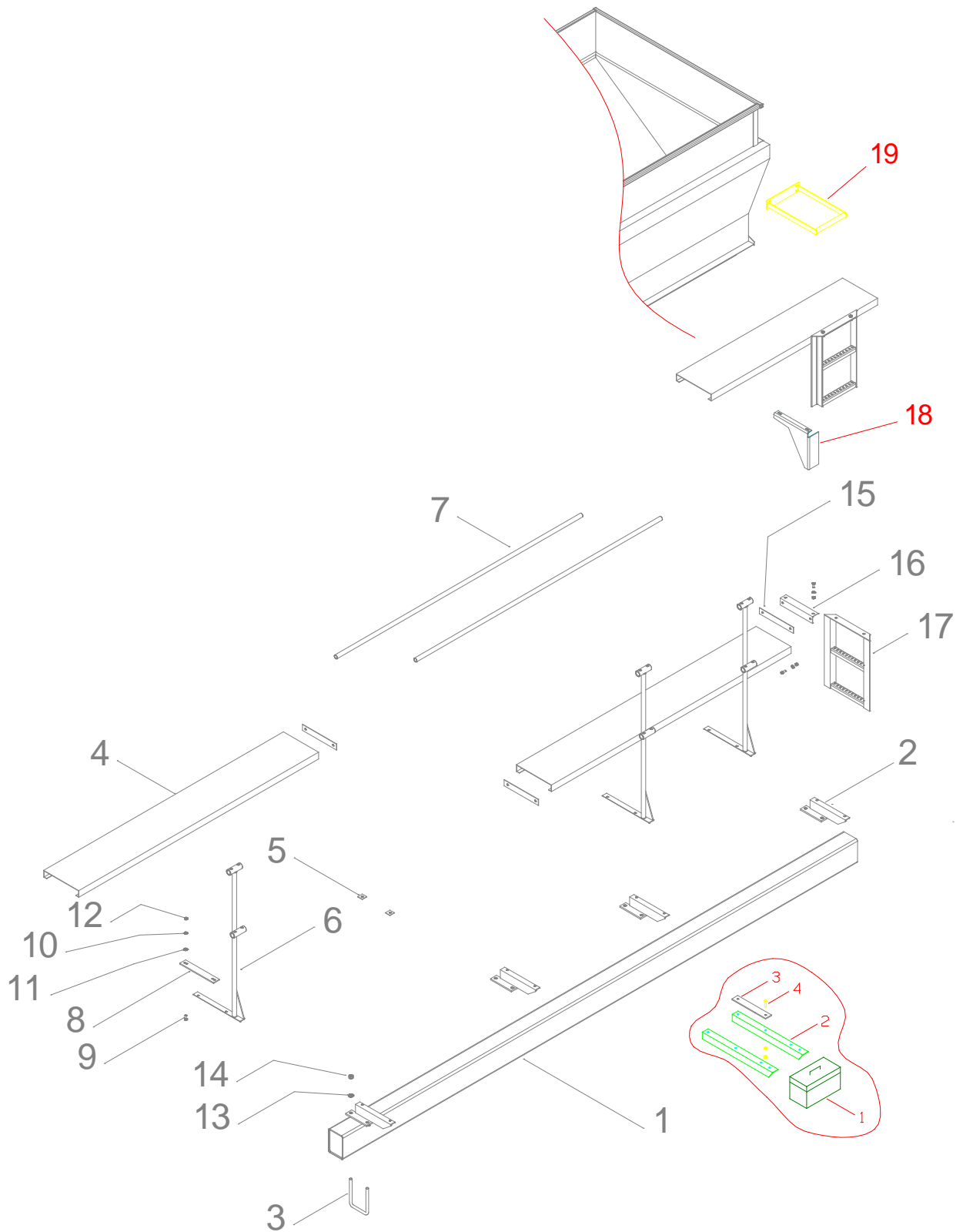
Ground Drive (Semi-Mount) Components



Ground Drive (Semi-Mount) Components

Ref.	Part No.	Description
1	403410	Jackshaft Weldment Left
	403510	Jackshaft Weldment Right
2	094091	1-1/4" Star Table Bearing
3	403413	Top Shaft
4	081120	5020 x 1" Finish Bore Sprocket
5	401410	Hub w/ Washer
6	401936	5028 Drilled Sprocket
7	403430	Top Chain
8	365257	Plastic Tightener
9	403450	Top Shield Weldment Left
	403560	Top Shield Weldment Right
10	403439	Brace Flat Left
	403443	Brace Flat Right

Front Seed Tank Platform
#400065 4 Row Package
#400070 6 Row Package
#400075 8 Row Package



Front Seed Tank Platform
#400065 4 Row Package
#400070 6 Row Package
#400075 8 Row Package

Ref.	Part No.	Description
1	110040	5" x 7" x 1/4" Tool Bar
2	400430	Platform Mount Weldment
3	021012	5/8 x 5 x 8 -1/2 U-Bolt
4	010905	Morton Channel 12 X 2 X 13 GA. 12' (4 Row - 1 Required)
	010900	Morton Channel 12 X 2 X 13 GA. 10' (6 & 8 Row - 2 Required)
5	353040	Platform Mount Tab
6	355700	Handrail Upright '96
7	355705	Handrail Pipe
8	353325	Platform Strap
9	020029	Bolt, 3/8 X 1 NC GR 5
10	020502	Washer, 3/8" Regular Lock ZP
11	020513	Washer, 3/8" FLAT
12	020402	Nut, 3/8" NC
13	020506	Washer, 5/8" Lock ZP
14	020406	Nut, 5/8" NC
15	368766	Platform Flat
16	368765	Platform Angle
17	400445	Planter Side Ladder
18	401235	Ladder Support
19	401230	Handrail Weldment

Tool Box Mounting Hardware

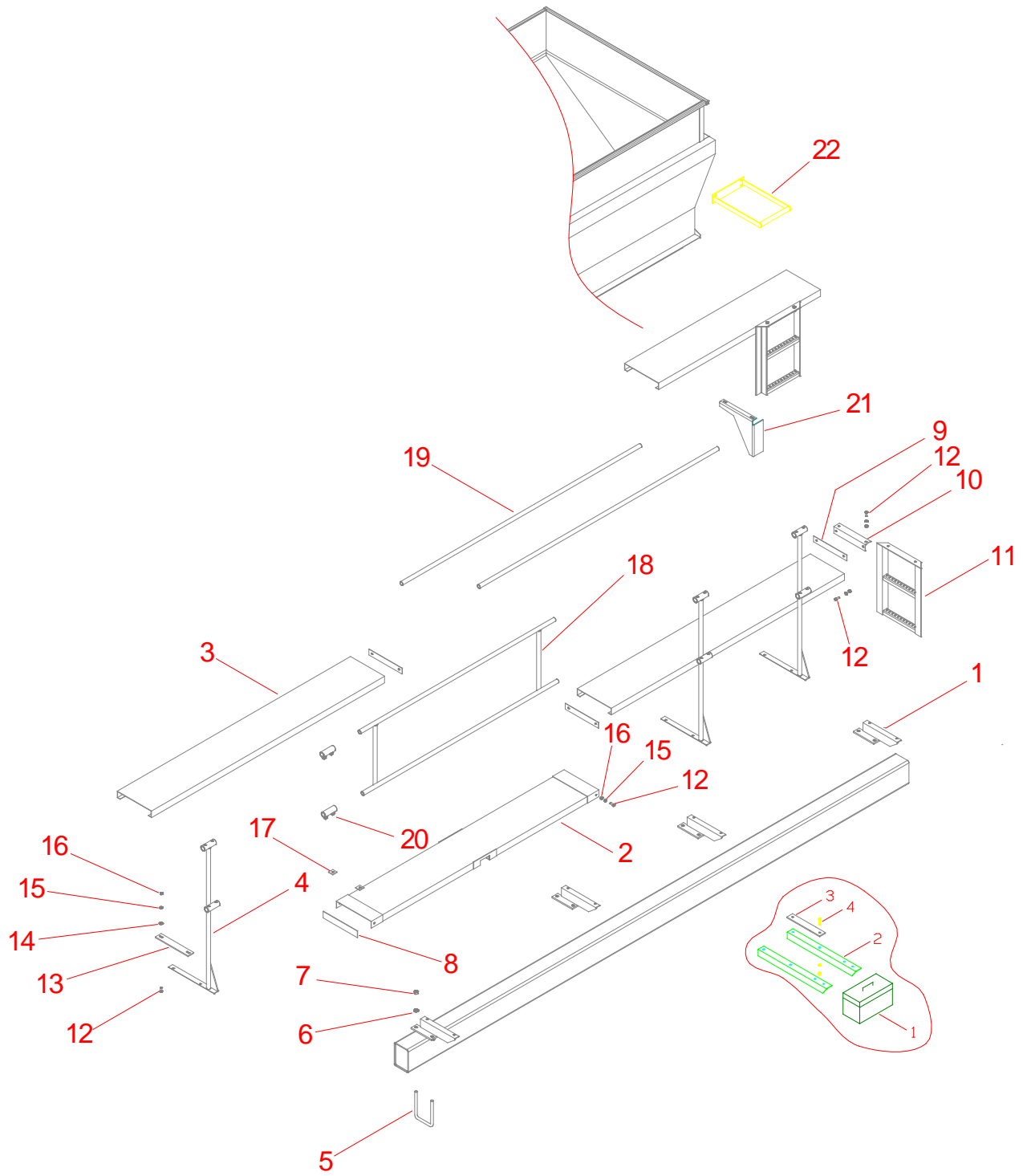
Ref.	Part No.	Description
1	400080	Toolbox Package for Cup Planter
2	350051	Tool Box Mount
3	353325	Platform Strap
4	020029	Bolt, 3/8" X 1" NC GR 5
	020402	3/8" NC Nut
	020502	Washer, 3/8" Lock

Front Seed Tank Platform With Removable Center Handrail (For Folding Hitch)

#401185 Platform Package 4 Row

#401200 Platform Package 6 Row

#401215 Platform Package 8 Row



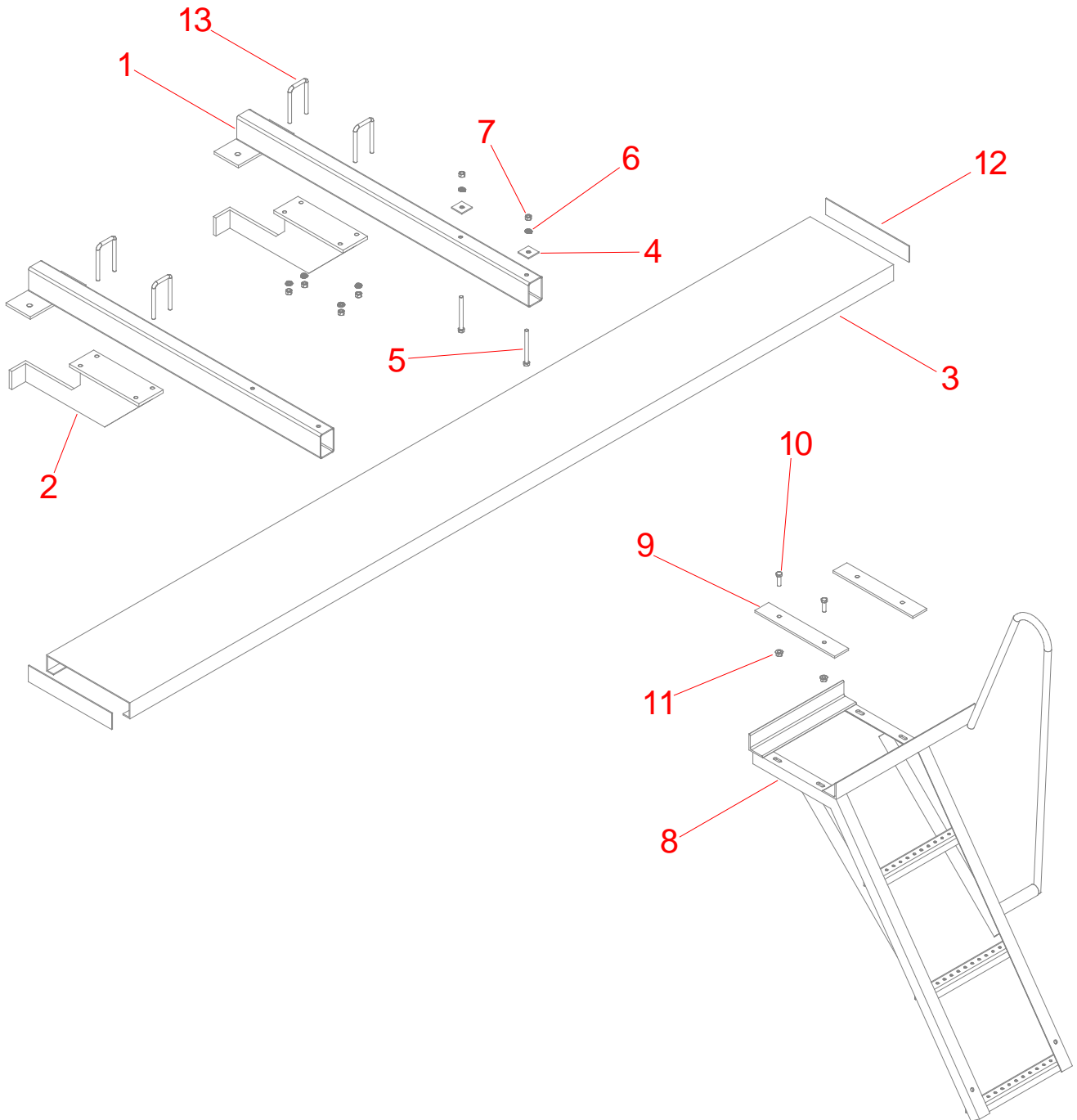
**Front Seed Tank Platform With Removable Center Handrail
(For Folding Hitch)
#401185 Platform Package 4 Row
#401200 Platform Package 6 Row
#401215 Platform Package 8 Row**

Ref.	Part No.	Description
1	400430	Platform Mount Weldment
2	401220	Center Morton Channel Platform Weldment
3	010905	Morton Channel 12 X 2 X 13 GA. 12' (8 Row - 2 Required)
	010900	Morton Channel 12 X 2 X 13 GA. 10' (6 Row - 2 Required)
	010900	Morton Channel 12 X 2 X 13 GA. 10' (4 Row - 1 Required)
4	355700	Handrail Upright '96
5	021012	5/8 x 5 x 8 -1/2 U-Bolt
6	020506	Washer, 5/8" Lock ZP
7	020406	Nut, 5/8" NC
8	450668	12" Morton Channel Endcap
9	368766	Platform Flat
10	368765	Platform Angle
11	400445	Planter Side Ladder
12	020029	Bolt, 3/8 X 1 NC GR 5
13	353325	Platform Strap
14	020513	Washer, 3/8" FLAT
15	020502	Washer, 3/8" Regular Lock ZP
16	020402	Nut, 3/8" NC
17	353040	Platform Mount Tab
18	401205	Center Handrail Weldment
19	010557	Handrail Pipe (3/4" Black Pipe A/R)
20	401210	Handrail Tube Weldment
21	401235	Ladder Support
22	401230	Handle Weldment

Tool Box Mounting Hardware

Ref.	Part No.	Description
1	400080	Toolbox Package for Cup Planter
2	350051	Tool Box Mount
3	353325	Platform Strap
4	020029	Bolt, 3/8" X 1" NC GR 5
	020402	3/8" NC Nut
	020502	Washer, 3/8" Lock

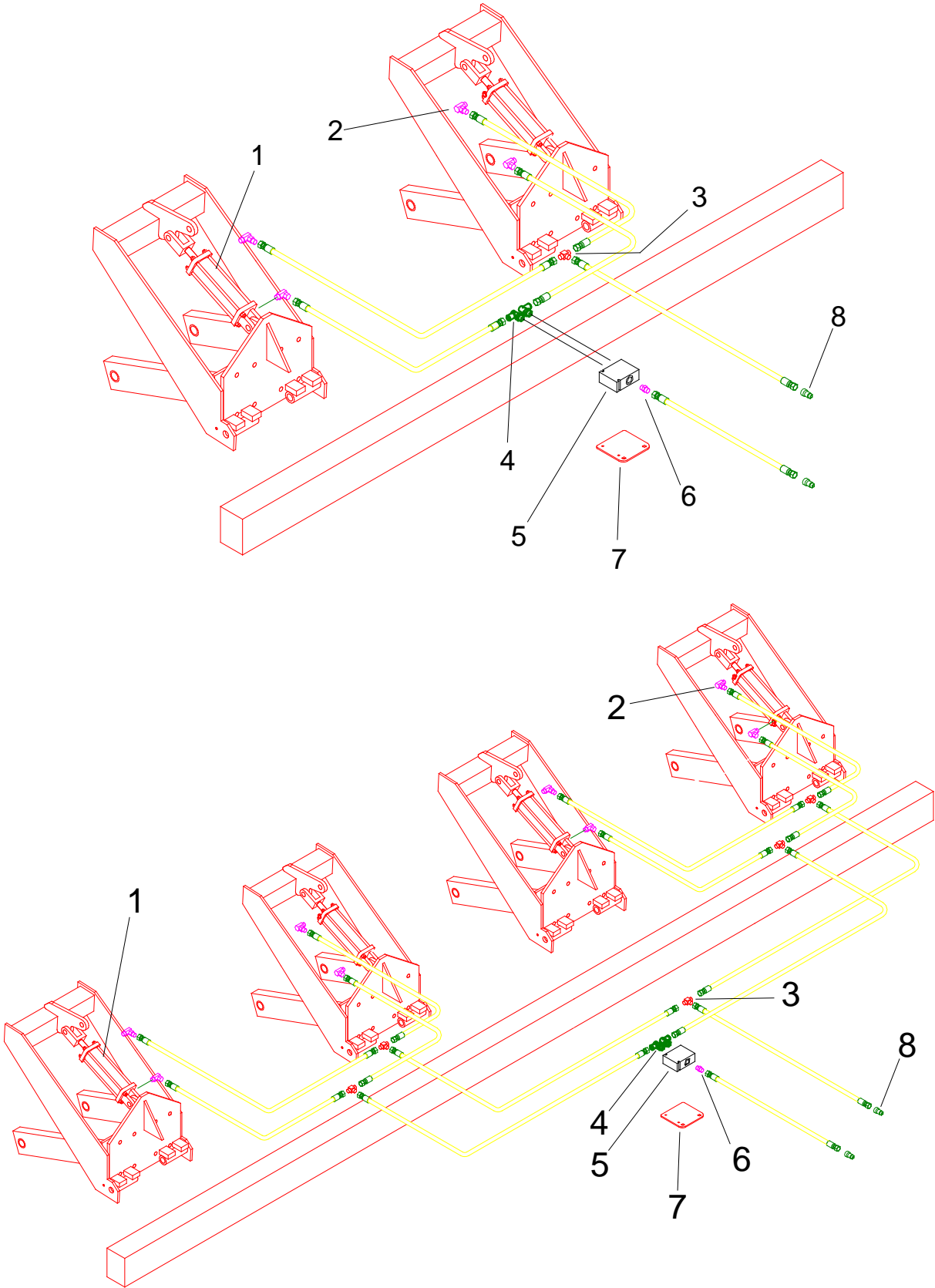
Rear Seed Tank Platform
#400061 4 Row Package
#400062 6 & 8 Row Package



Rear Seed Tank Platform Packages
#400061 4 Row Package
#400062 6 & 8 Row Package

Ref.	Part No.	Description
1	400523	Rear Platform Mount Weldment
2	400524	Gusset Weldment
3	010900	Morten Channel 12 X 2 X 13 GA. 10'
4	353040	Platform Mount Tab
5	020034	Bolt, 3/8" x 4"
6	020502	Washer, 3/8" Regular Lock
7	020402	Nut, 3/8" Hex
8	356800	Planter Ladder
9	356810	Ladder Hold Down Strap
10	020120	Bolt, 3/8" x 1-1/4" NC Grade 5
11	020471	Nut, 3/8" Serrated Flange
12	450668	12" Morten Channel End Cap
13	021025	3/8" x 2" x 4" U-Bolt

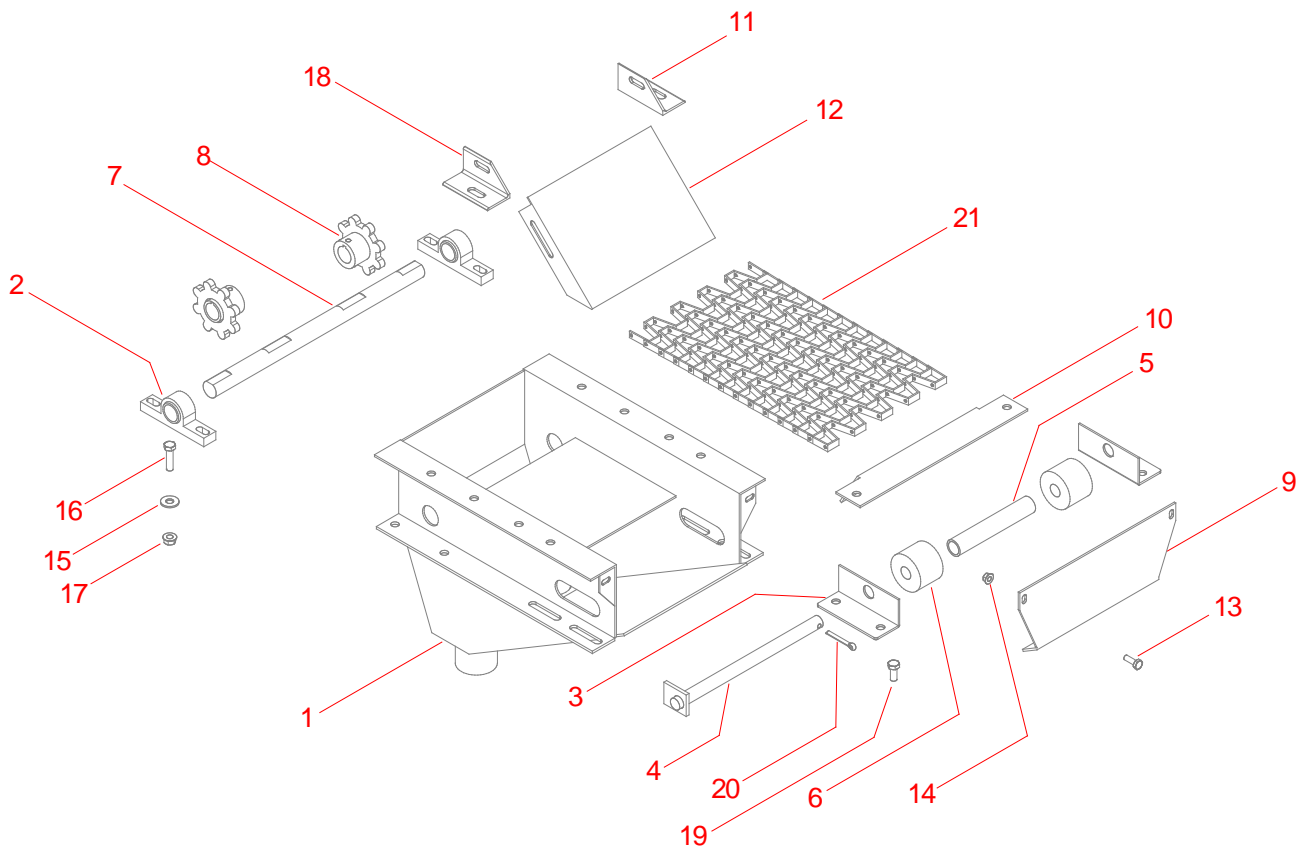
Rear Lift Hydraulic System



Rear Lift Hydraulic System
352788 - 4 Row Lift Hydraulic Package
352787 – 6 & 8 Row Lift Hydraulic Package

Ref	Part No.	Description
1	095109	3" Cylinder 3000# with stop ORB Port
2	096288	Elbow 10JICMX80ORB
3	095276	Tee 2603-10-10-10
4	095273	Male JIC-Male ORB 90 Elbow
5	096287	Divider, Hyd. 2 Sect (2008)
6	095271	Male JIC-Male ORB Connector
7	404358	Flow Divider Mount

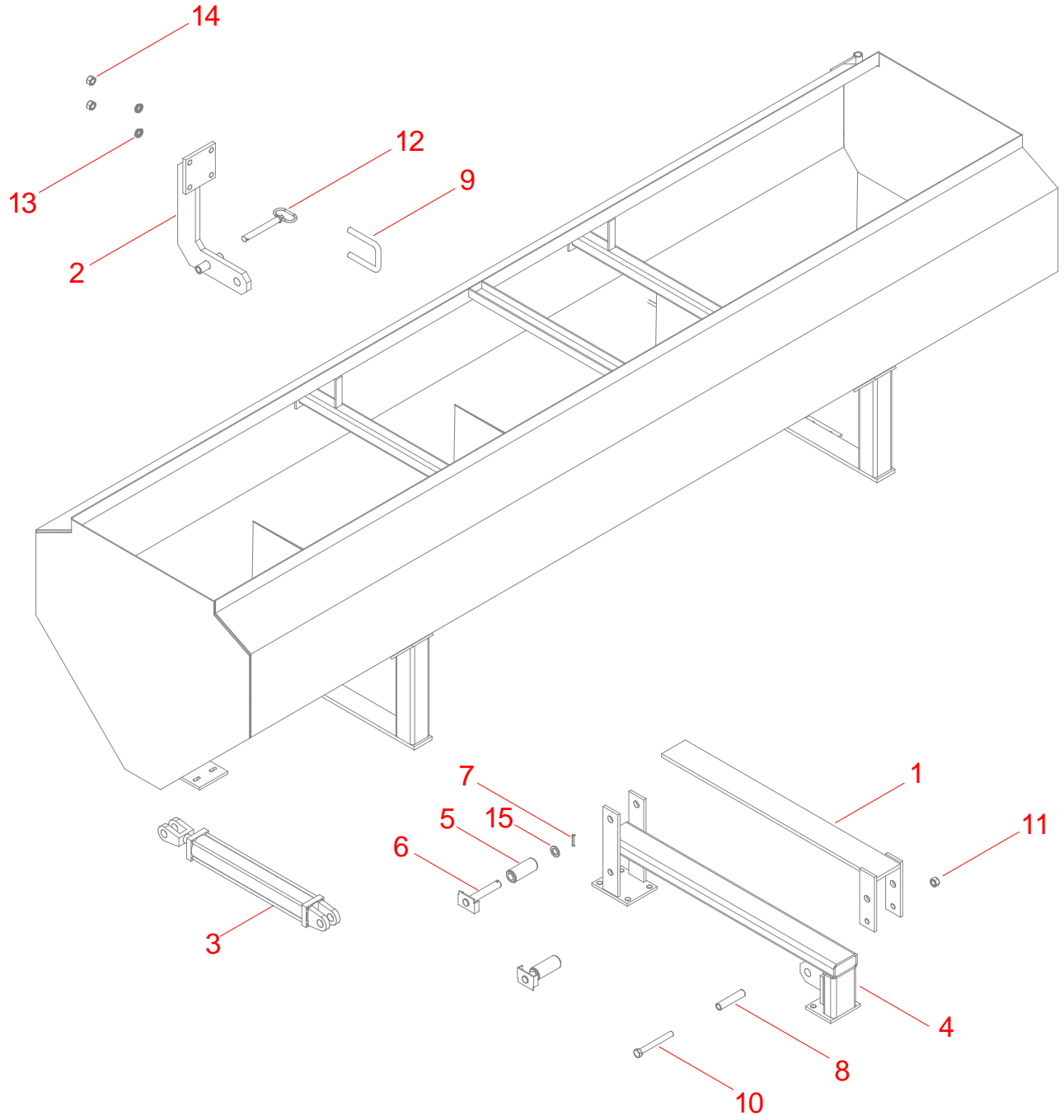
#402125 - Fertilizer Feedbox Assembly



#402125 - Fertilizer Feedbox Assembly

Ref.	Part No.	Description
1	402150	Fertilizer Feedbox Cup Planter
2	368492	Igus Block W/Bearing Drilled
3	402127	Rear Roller Mount
4	368895	Weldment, Rear Roller Pin
5	368898	Spacer Pipe Rear
6	402123	2" Roller UMHW Idler
7	402164	Front Shaft
8	402170	Drive Sprocket
9	402161	Rear Plate (Removable)
10	402162	Rear Deflector
11	402172	Gate Angle Right
12	402169	Front Gate (Cup)
13	020001	Bolt, 1/4" X 3/4" NC GR 5
14	020475	Nut, 1/4" Serrated Flange
15	020512	Washer, 5/16" Flat
16	020027	Bolt, 5/16" X 1-1/4" NC GR 5
17	020479	Nut, 5/16" Serrated Flange 14
18	402173	Gate Angle Left
19	020015	Bolt, 5/16" X 3/4" NC GR 5
20	020826	Pin, 3/16" X 1-1/2" Cotter
21	402128	Fertilizer Feedbox Wire Chain

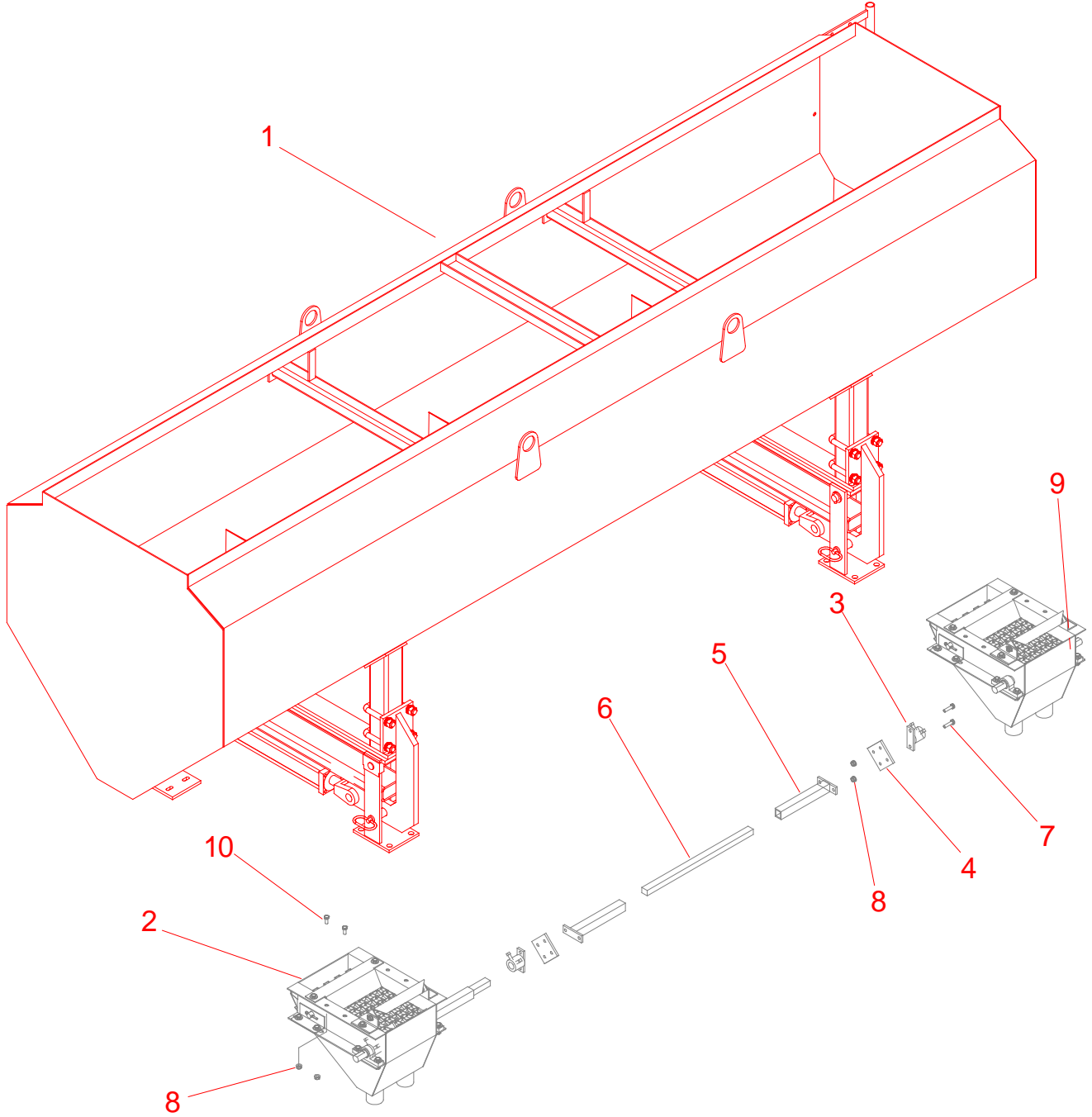
Fertilizer Tank Weldment Assembly #400950 4 Row



**Fertilizer Tank Weldment Assembly
#400950 - 4 Row**

Ref.	Part No.	Description
1	400990	Upper Fertilizer Roller Weldment
2	400960	Rear Fertilizer Cylinder Mount Weldment
3	097427	2 X 16 26 1/4 X 42 1/4 Cylinder
4	400980	Lower Fertilizer - Roller Frame Weldment
5	400985	Roller Assembly
6	400965	Roller Pin Weldment
7	020965	1/4 X 1-1/2 Springlock Pin Plated
8	400977	Spacer Bushing
9	021007	5/8" x 3" x 4-1/2" U-Bolt
10	020072	Bolt, 5/8" X 5-1/2" NC GR 5
11	020427	Nut, 5/8" Center Lock
12	097407	5/8" x 6 1/4" Hitch Pin
13	020506	Washer, 5/8" Regular Lock ZP
14	020406	NUT, 5/8" NC
15	021335	7/8" Narrow 10 Gauge Bushing

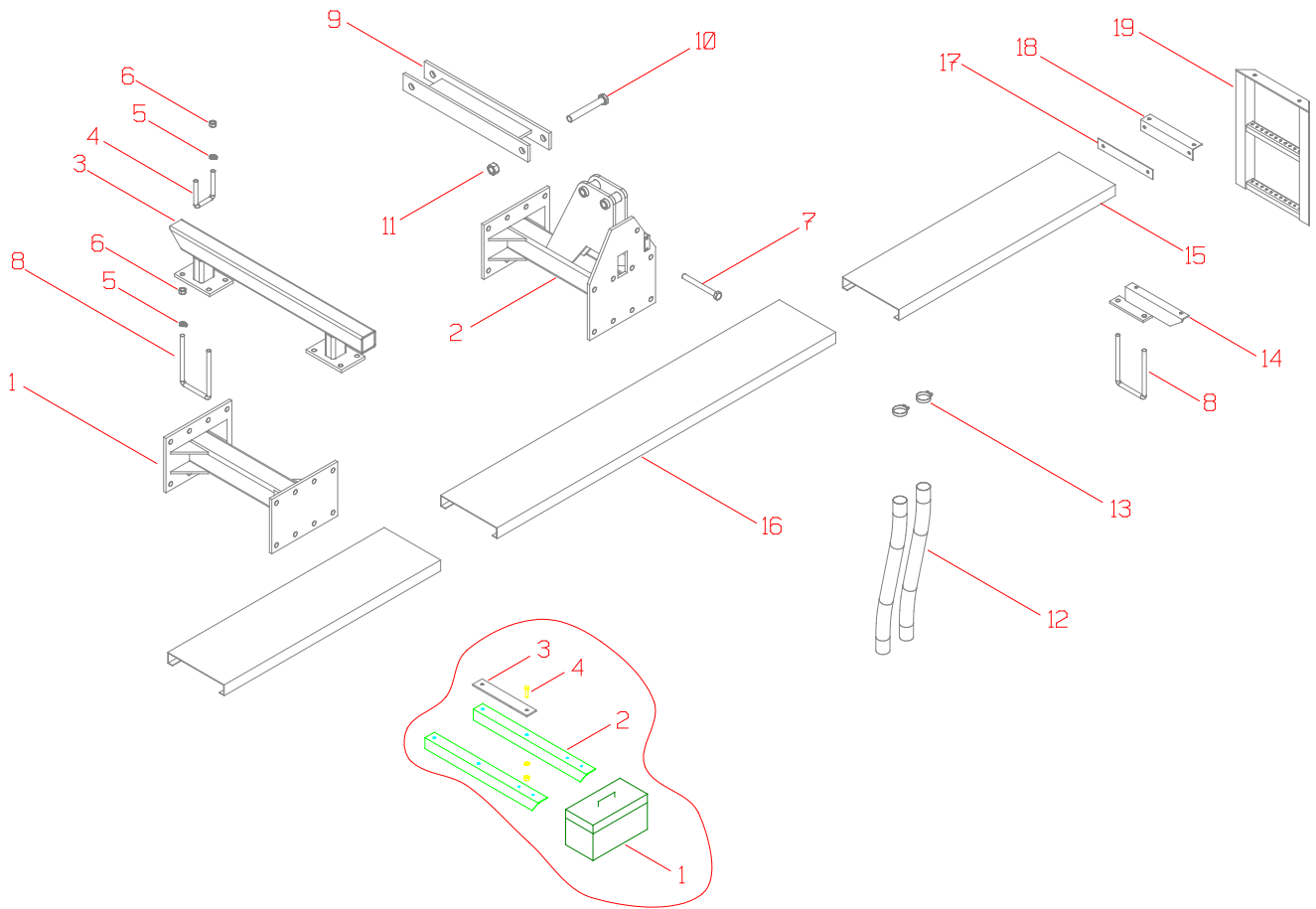
Fertilizer Tank Drive Assembly



**Fertilizer Tank Drive Assembly
#402050 - 4 Row**

Ref.	Part No.	Description
1	400950	Fertilizer Tank Weldment Assembly
2	402125	Fertilizer Feedbox Assembly
3	368565	Drive Coupler Short
4	368563	Drive Coupler Short
5	368560	Drive Coupler Long
6	368567	Fertilizer Drive Shaft
7	020027	Bolt, 5/16" X 1-1/4" NC GR5
8	020479	Nut, 5/16" Serrated Flange
9	082804	7/8" Set Collar
10	020015	Bolt, 5/16" X 3/4" NC GR5

Fertilizer Mounting Hardware #401070 4 Row Fertilizer Package Complete



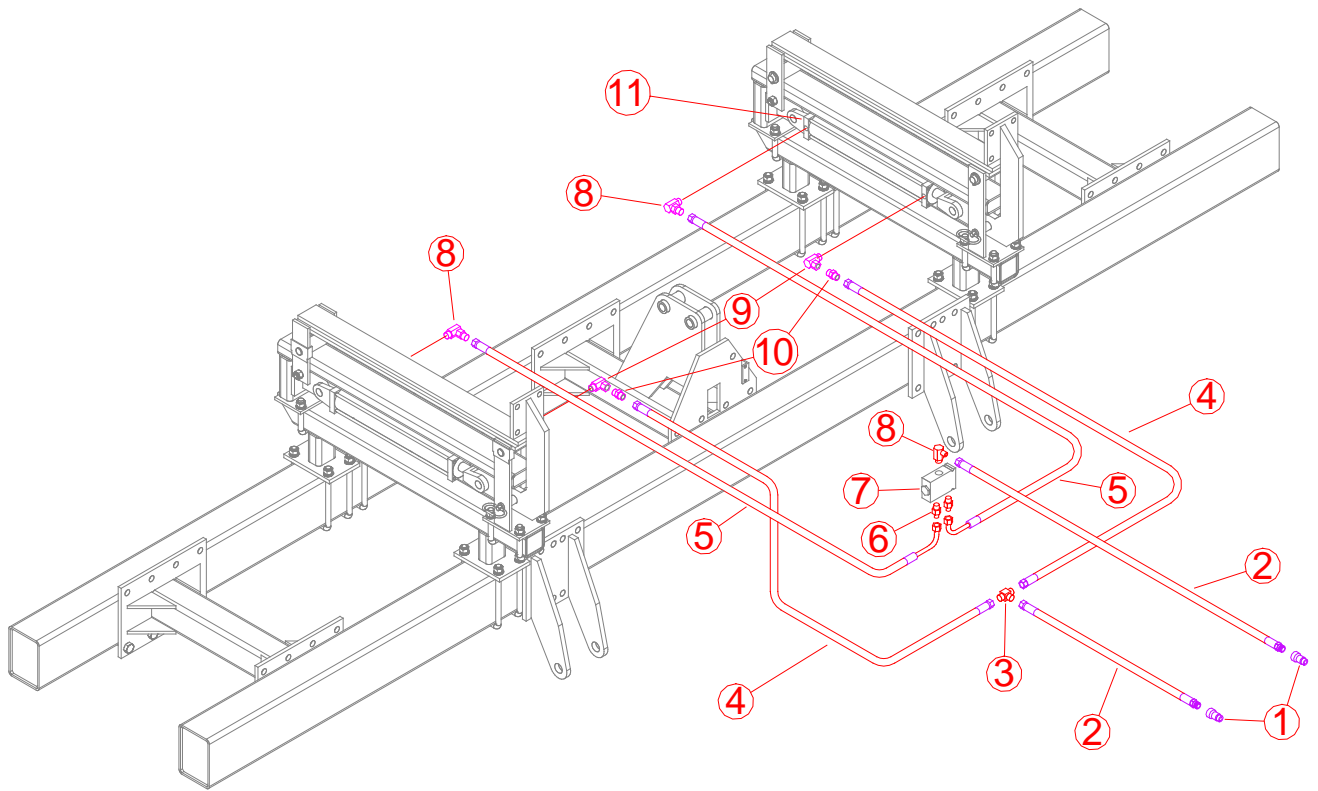
**Fertilizer Mounting Hardware
#401070 4 Row Fertilizer Package Complete**

Ref.	Part No.	Description
1	401075	X-Member Extension Weldment
2	401080	Center X Member Extension (Fertilizer)
3	400940	Tank Mount
4	021007	5/8" X 3" X 4-1/2" U-Bolt
5	020506	Washer, 5/8" Lock
6	020406	Nut, 5/8" NC
7	020091	Bolt, 3/4" X 7-1/2" NC GR 5
8	021012	5/8" X 5" X 8-1/2" U-Bolt
9	401180	Center Cross Member Linkage
10	020108	Bolt, 1" x 7" NC GR 5
11	020430	Nut, 1" NC Center Lock
12	401111	Fertilizer Flex Hose (Cup)
13	040467	1-9/16" to 2-1/2" Clamp 6832
14	400430	Front Platform Mount Weldment
15	010900	Mort. Channel 12 X 2 X 13 Ga. 10'
16	010905	Mort. Channel 12 X 2 X 13 Ga. 12'
17	368766	Platform Flat
18	368765	Platform Angle
19	400445	Planter Side Ladder

Tool Box Mounting Hardware

Ref.	Part No.	Description
1	400080	Toolbox Package for Cup Planter
2	350051	Tool Box Mount
3	353325	Platform Strap
4	020029	Bolt, 3/8" X 1" NC GR 5
	020402	3/8" NC Nut
	020502	Washer, 3/8" Lock

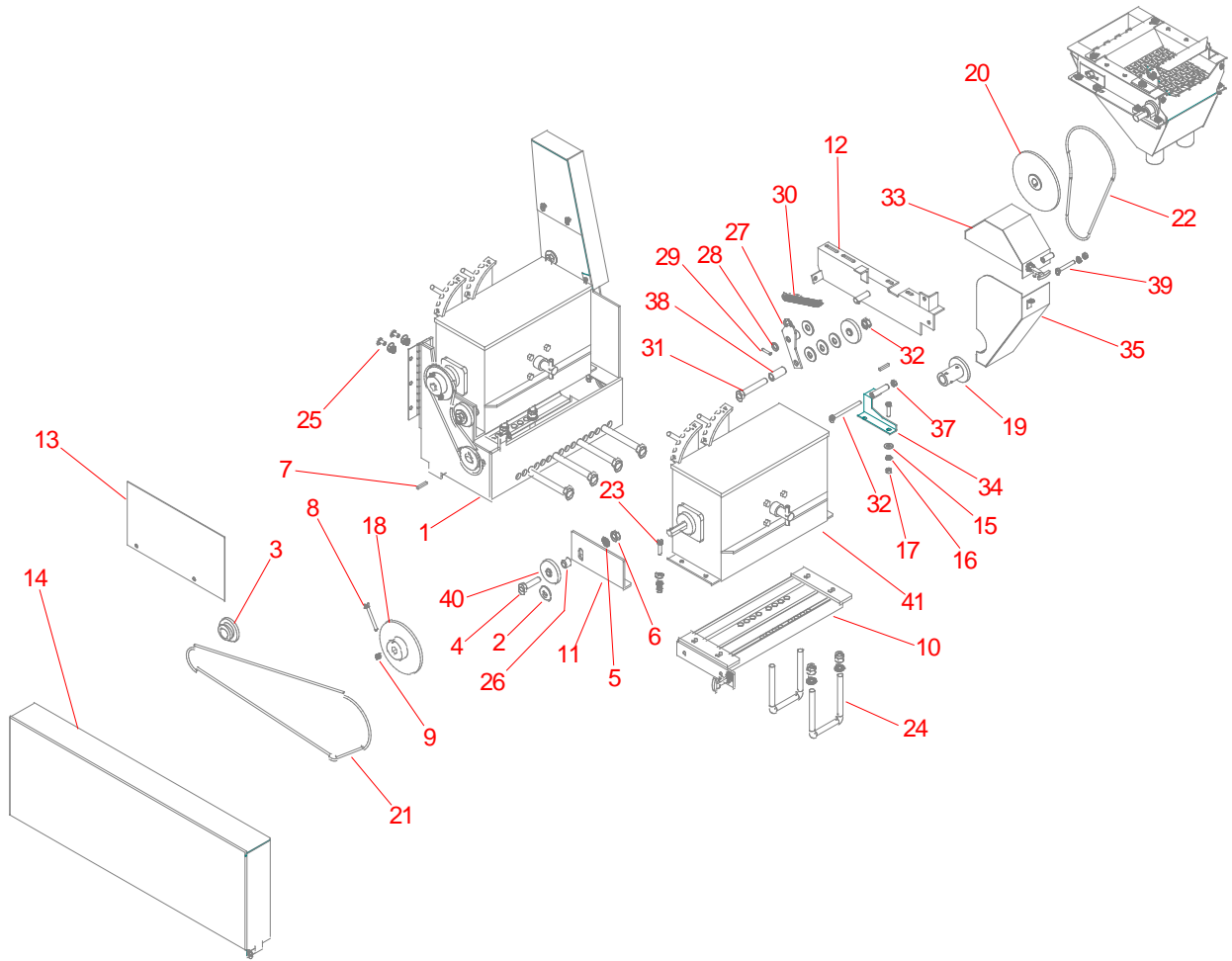
Fertilizer Tank Hydraulics



Fertilizer Tank Hydraulics

Ref.	Part No.	Description
1	095012	Universal Male Hydraulic Tip 1/2" Pipe Thread Pioneer
2		3/8" Hydraulic Hose / 95006 hose end, 96072 Hose end
3	095160	37° JIC #6 (9/16") Tee 6-6-6
4		1/4" Hydraulic hose / 95168 hose ends
5		1/4" Hydraulic hose / 95168 hose end, 95317 hose end
6	012647	Adaptor #6 O-ring #6 Male JIC
7	097419	Flow Divider FD10-45-80-N-22
8	095169	#8 (3/4" ORB x #6 (9/16") JIC Elbow
9	095166	ORB Elbow Restrictor
10	095165	Pipe Thread Adaptor
11	097427	2" x 16" 26-1/4" x 42-1/4" Cylinder

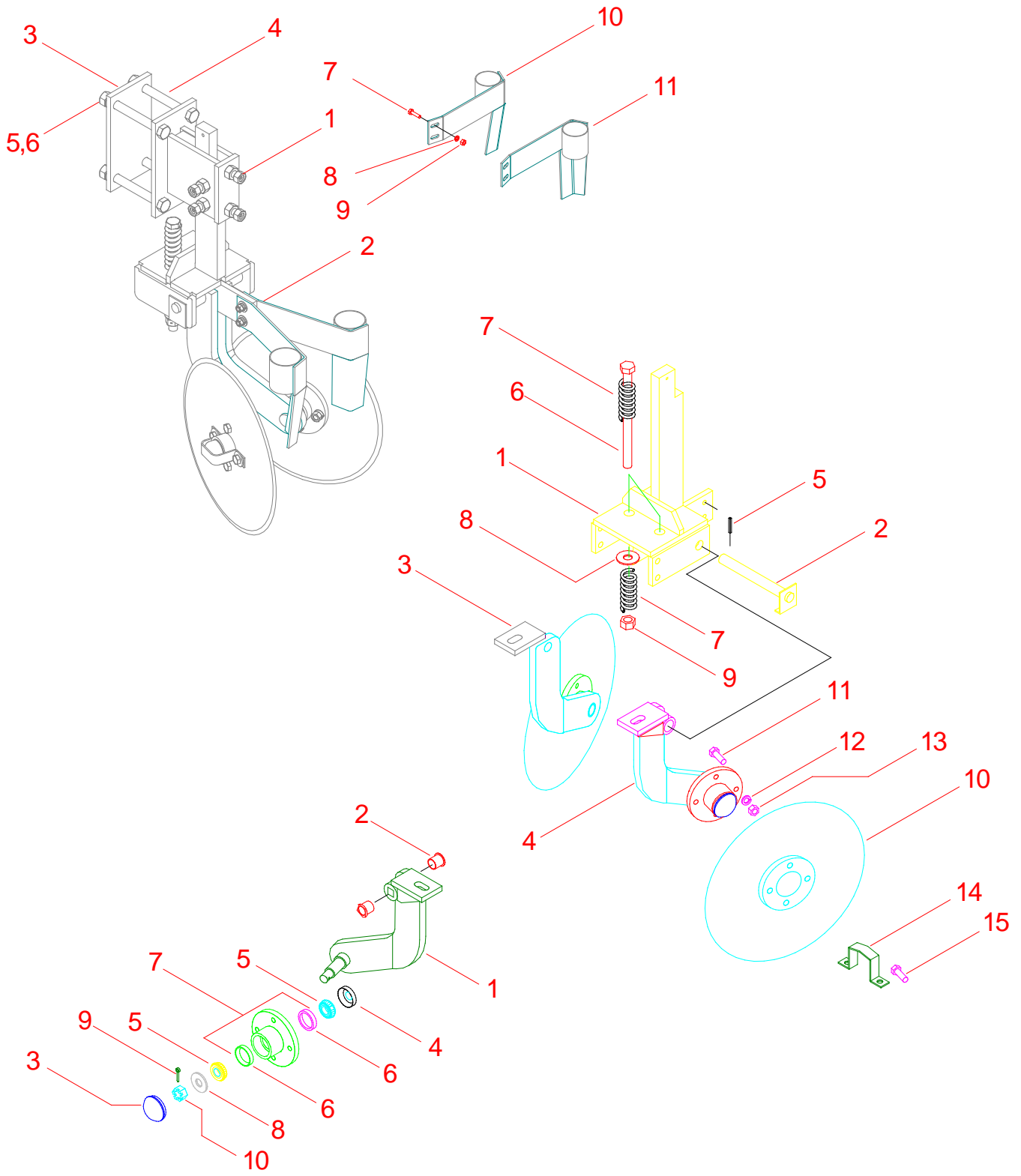
Fertilizer Mechanical Drive Package #402200



Fertilizer Mounting Hardware
#402200 Mechanical Drive Fertilizer Package

Ref.	Part No.	Description
1	402350	Gearbox Mount Weldment
2	020536	Washer, 5/8" Flat
3	081151	5013 x 1-1/4" Sprocket
4	020066	Bolt, 5/8" X 2-1/2" NC Hex Head Grade 5
5	020506	Washer, 5/8" Regular Lock
6	020406	Nut, 5/8" Hex
7	351072	1/4" Keystock 1-1/2" Long
8	020020	Bolt, 5/16" X 3" NC Hex Head Grade 5
9	020422	Nut, 5/16" Centerlock
10	402240	Gearbox Mount Weldment
11	401435	Mechanical Drive Idler Mount
12	402290	Feedbox Chain Tension Mount Weldment
13	402202	Chain Kick Guard
14	402220	Chain Guard Long (Fertilizer Drive)
15	020513	Washer, 3/8" Flat
16	020502	Washer, 3/8" Regular Lock
17	020402	Nut, 3/8" Hex
18	401380	Hex Drive Hub W/Sprocket
19	401405	Fertilizer Drive Hub Weldment
20	368805	5036 Sprocket Weldment
21	402204	Fertilizer Drive Chain (Long)
22	402206	Fertilizer Drive Chain (Short)
23	020030	Bolt, 3/8" X 1-1/2" NC Hex Head Grade 5
24	021009	5/8 X 4 X 5-1/2" U-Bolt
25	020028	Bolt, 3/8" X 3/4" NC Hex Head Grade 5
26	402305	Idler Spacer 3/4" Long
27	402295	Idler Pivot Weldment
28	021319	5/8" Narrow Gauge Bushing
29	020964	1/4 X 1-1/4" Roll Pin
30	096007	Extension Spring
31	020069	Bolt, 5/8" X 4" NC Hex Head Grade 5
32	020427	Nut, 5/8" NC Centerlock
33	402380	Upper Fertilizer Chain Guard Weldment
34	402370	Lower Shield Mount Weldment
35	402395	Lower Shield Weldment
36	020036	Bolt, 3/8" X 4-1/2" NC Hex Head Grade 5
37	020423	Nut, 3/8" Centerlock
38	402207	Handle Spacer
39	020134	Bolt, 3/8" X 2-1/2" NC Hex Head Grade 5
40	081219	5013E Idler Sprocket 5/8" ID
41	097085	Great Plains Gearbox

Disc Openers



**#401010 – 4 Row Disc Opener Package
#401020 – 6 Row Disc Opener Package**

Ref.	Part No.	Description
1	400995	Slide Receiver Weldment
2	357805	Fertilizer Disc Opener Assembly
3	400968	Disc Opener Backing Plate
4	020091	Bolt, 3/4" X 7-1/2" NC GR 5
5	020507	Washer, 3/4" Lock
6	020407	Nut, 3/4" NC
7	020030	3/8" x 1 1/2" Bolt 2x
8	020502	3/8" Lock Washer
9	020402	3/8" Nut
10	401014	Fertilizer Tube Holder Weldment Right '05
11	401015	Fertilizer Tube Holder Weldment Left '05

#357805 – Fertilizer Disc Opener Package 2000

Ref.	Part No.	Description
1	357810	Disc Arm Mount Weldment
2	357835	Pivot Pin Weldment
3	357900	Disc Arm Assembly Right 2000
4	357905	Disc Arm Assembly Left 2000
5	020965	1/4" Spring Lock Pin
6	020157	3/4" X 11" Bolt
7	021509	Opener Spring LHL-1500D-6 Spring (Lee)
8	020517	3/4" Flat Washer
9	020428	3/4" Center Lock Nut
10	090017	16" Flat Disc
11	020118	1/2" X 1 1/4" Bolt
12	020504	1/2" Lock Washer
13	020404	1/2" NC Nut
14	357615	Dust Cap Strap 1997
15	020052	1/2" X 1 1/2" Bolt

**#357900 – Disc Arm Assembly Right 2000 (Shown)
#357905 – Disc Arm Assembly Left 2000**

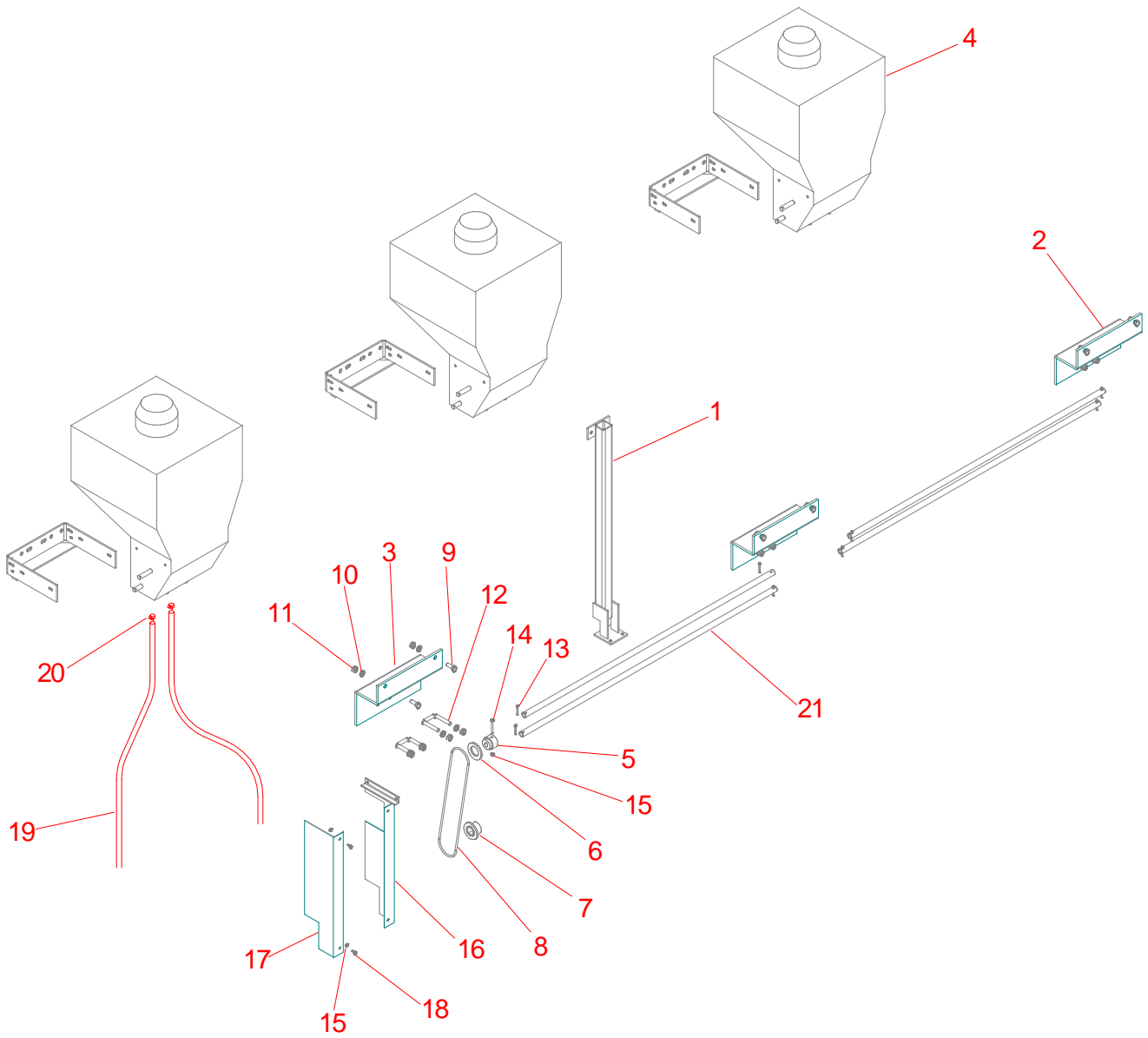
Ref.	Part No.	Description
1	357890	Arm Weldment 2000 Right
	357895	Arm Weldment 2000 Left
2	090167	1" x 7/8" Plastic Insert
3	096204	Dust Cap DC 11
4	096203	Oil Seal 471750
5	082166	Bearing Cone L44643
6	082165	Bearing Cup LM44610
7	357625	Fertilizer Disc Hub W/Cup 2000
8	021314	3/4" Narrow Rim Bushing
9	020827	5/32" Cotter Pin

10

020490

3/4" NF Plain Hex Slotted Nut

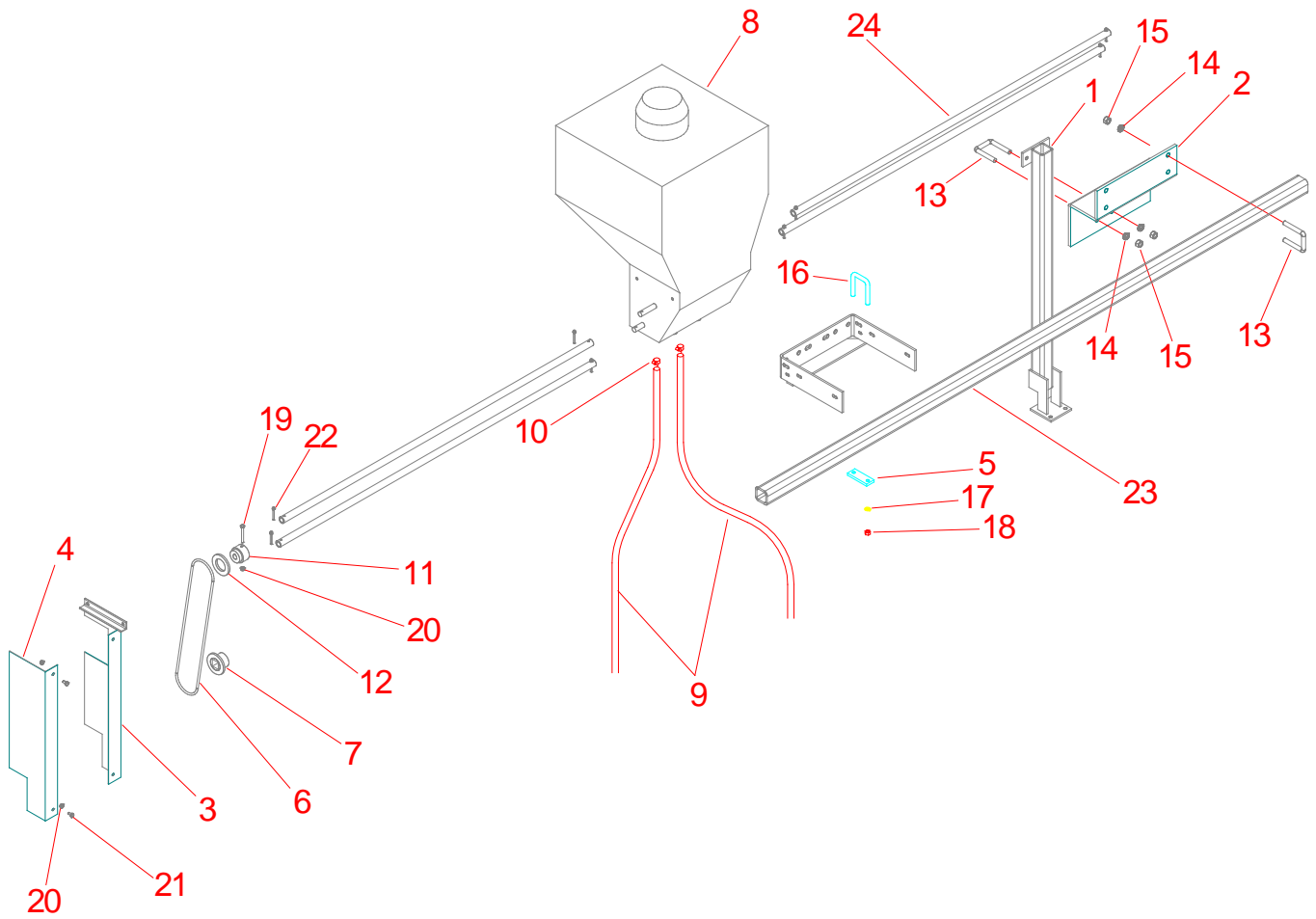
#400033 Gandy 6 Row 3 Box Package



#400033 – Gandy 6 Row 3 Box Package

Ref.	Part No.	Description
1	402950	Center Gandy/Tank Upright Weldment
2	402965	Gandy Mount Plate
3	402966	Gandy Mount Plate with Offset Holes
4	097009	Hopper, Gandy Positive Displacement
5	081409	W Hub – 5/8" Bore
6	096016	4018W Weldasprocket
7	354550	Square Coupler Drive Sprocket
8	402967	Gandy Drive Chain
	095068	Roller Chain Connector Link
9	020118	Bolt, 1/2" x 1-1/4" Hex Head
10	020504	Washer, 1/2" Regular Lock
11	020404	Nut, 1/2" Hex
12	021000	1/2" x 2 x 3" U-Bolt
13	020826	Cotter Pin, 3/16" x 1-1/2"
14	020007	Bolt, 1/4" X 2-1/4" Hex Head
15	020475	Nut, 1/4" NC Serrated Flange
16	402995	Inner Shield Weldment
17	402998	Gandy Chain Shield Outer
18	020000	Bolt, 1/4" x 1/2" Gr. 5 NC Hex Head
19	097012	3/4" Gandy Hose (A/R)
20	040461	#12 Hose Clamp
21		1/2" Black Pipe (A/R)

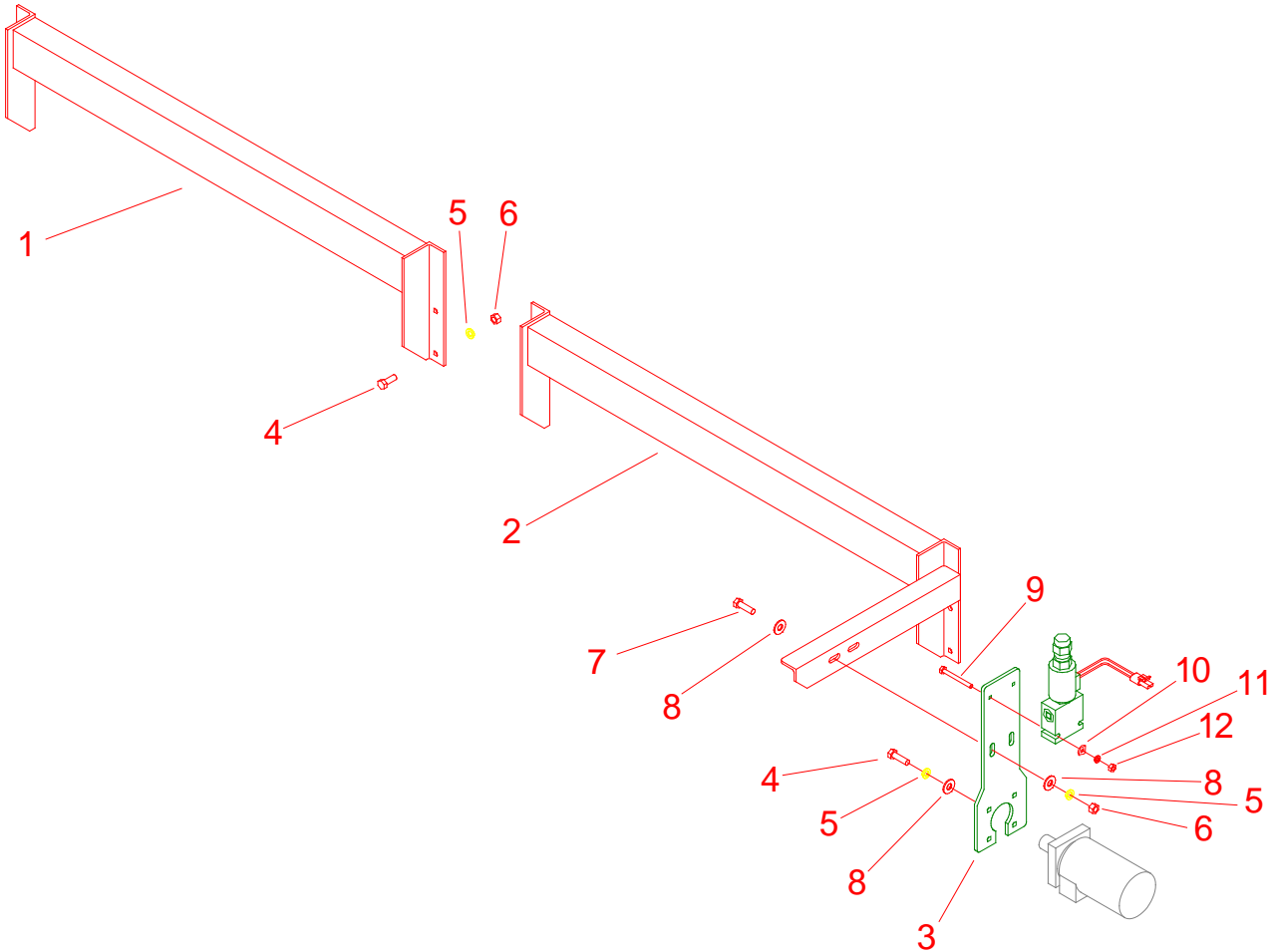
#400032 Gandy 4 Row 2 Box Package
#400034 Gandy 8 Row 4 Box Package



#400032 – Gandy 4 Row 2 Box Package**#400034 – Gandy 8 Row 4 Box Package**

Ref.	Part No.	Description
1	402950	Center Gandy/Tank Upright Weldment
2	402965	Gandy Mount Plate
3	402995	Inner Shield Weldment
4	402998	Gandy Chain Shield Outer
5	358088	Gandy Mount Flat
6	402967	Gandy Drive Chain
	095068	Roller Chain Connector Link
7	354550	Square Coupler Drive Sprocket
8	097009	Hopper, Gandy Positive Displacement
9	097012	3/4" Gandy Hose (A/R)
10	040461	#12 Hose Clamp
11	081409	W Hub – 5/8" Bore
12	096016	4018W Weldasprocket
13	021000	1/2" x 2 x 3" U-Bolt
14	020504	Washer, 1/2" Regular Lock
15	020404	Nut, 1/2" NC
16	021024	3/8" x 2 x 3 U-Bolt
17	020502	Washer, 3/8" Regular Lock
18	020402	Nut, 3/8" NC
19	020007	Bolt, 1/4" X 2-1/4" Hex Head
20	020475	Nut, 1/4" NC Serrated Flange
21	020000	Bolt, 1/4" x 1/2" Gr. 5 NC Hex Head
22	020826	Cotter Pin, 3/16" x 1-1/2"
23		2 x 2 x 3/16" Tube (A/R)
24		1/2" Black Pipe (A/R)

**Gandy Brackets
For IntelliAg system
(One box per row for planter with Fertilizer)**



Gandy Brackets

Ref.	Part No.	Description
1	401130	Gandy Mount Weldment
2	401135	Gandy Motor Mount Weldment
3	401145	Hydraulic Motor Mount
4	020029	3/8 x 1" Grade 5 Bolt
5	020502	Washer, 3/8" Regular Lock
6	020402	Nut, 3/8" NC
7	020120	3/8 x 1-1/4" Grade 5 Bolt
8	020513	Washer, 3/8" Flat
9	020006	1/4 x 2-1/2" Grade 5 Bolt
10	020511	1/4" Flat Washer
11	020500	1/4" Lock Washer
12	020400	1/4" Hex Nut

Index

B		M	
Belt With Cups.....	7	Marker	
C		4 Row,Tractor Center Mark.....	47
Closing Disc Scraper	45	4 Row,Tractor Tire Mark	49
Coil Shank Assemblies	57	6 Row.....	51
F		6 Row,Bi-Fold.....	53
Feed Chain Electrical System	71	8 Row,Bi-fold.....	55
Feed Chain Electrical System (Ultrasonic)	72	Hydraulic Package.....	47
Feedbox Assembly	21	P	
Fertilizer		Platform Packages	
Disc Openers.....	128	Front	108
Feedbox Assembly.....	116	Rear	112
Mechanical Drive	126	R	
Mounting Hardware.....	122	Raven	
Tank Assemblies.....	118	Hyd, Drive Mounting Hardware	92
Tank Drive Assembly	120	Raven 4000	
Tank Hydraulics	124	Main Switchbox	66
Frame Assembly	23	Wiring Harnes.....	65
G		Raven 662	
Gandy		Wiring Harness.....	63
1 Box per Row	135	Raven 760	
2 Box Package.....	133	Wiring Harness.....	64
3 Box Package.....	131	Rear Ripper Assemblies.....	61
4 Box Package.....	133	Rear Steer Package.....	31
Ground Drive		Row Unit	
Electrical.....	74	Closing Disc Assembly	13
Ground Drive (Rear) Components	96	Closing Discs.....	11
Ground Drive (Semi-Mount)Components	102	Drive Motors.....	3
H		Gauge Wheel Assembly	19
Hill Packer.....	59	Main Assembly	1
Hitch Package		Row Unit Switch Assembly.....	9
4 Row	25	S	
6 & 8 Row	25	Seed Sensor	73
Steerable	27	Shaker Weldment	11
Hydraulic System Layout		Shoe	
Ground Drive	88	Complete Assembly.....	17
IntelliAg (Fertilizer)	86	Sub Assembly	15
IntelliAg (No Fertilizer).....	84	T	
Raven 662	78, 80	Tank Assembly	23
Raven 760	82	Top Roller With Belt	7
Rear Lift.....	114	W	
Rear Steer	90	Walking Beam.....	29
I		Wheel Lift	
IntelliAg		10.00.....	35
Hyd, Drive Mounting Hardware.....	94	11.25.....	33
Wiring Harness (Paired Feed Box Switch).....	69	14.9.....	33
Wiring Harness (Single Feed Box Switch)	67	14L.....	35
		Caster Wheel (2007 Model Year).....	43

Caster Wheel (Up to 2006 Model Year)41
Ground Drive37

Hub Assemblies 39



Box 378, Minto, ND 58261
(800)437-8205 (701)248-3286 Fax: (701)248-3070
harriston@invisimax.com
www.harriston-mayo.com

PRINTED IN USA
REVISION DATE: February 2010